



US00D902579S

(12) **United States Design Patent**  
**Hu**

(10) **Patent No.:** **US D902,579 S**

(45) **Date of Patent:** **\*\* Nov. 24, 2020**

(54) **MEDICINE ADMINISTRATION DEVICE**

(71) Applicant: **Changzhou Huajia Medical Device Ltd.**, Changzhou (CN)

(72) Inventor: **Longsheng Hu**, Changzhou (CN)

(\*\*) Term: **15 Years**

(21) Appl. No.: **29/677,775**

(22) Filed: **Jan. 23, 2019**

(30) **Foreign Application Priority Data**

Aug. 10, 2018 (CN) ..... 2018 3 0443312

(51) **LOC (12) Cl.** ..... **03-01**

(52) **U.S. Cl.**  
USPC ..... **D3/203.1**

(58) **Field of Classification Search**

USPC ..... D3/203.1; D10/30, 31, 32; D24/107,  
D24/108, 127, 185, 186

CPC .... G04B 47/06; G04B 47/061; G04B 47/063;  
A61B 5/00; A61B 5/02438; A61B  
5/0404; A61B 5/042; A61B 5/6801; A61B  
5/681; A61B 5/6824; A61B 2017/00442

See application file for complete search history.

(56) **References Cited**

**U.S. PATENT DOCUMENTS**

D269,546	S	*	6/1983	Rogers	.....	D10/30
D305,100	S	*	12/1989	Paulin	.....	D9/671
5,050,142	A	*	9/1991	Gibbs	.....	G04D 99/00 368/11
D329,201	S	*	9/1992	Barat	.....	224/165
5,157,640	A	*	10/1992	Backner	.....	A61J 7/0481 368/10
D347,583	S	*	6/1994	Elkins, III	.....	D10/32
D394,395	S	*	5/1998	Bruce	.....	D10/30
D409,504	S	*	5/1999	Collier	.....	D10/126
D416,811	S	*	11/1999	Krauss	.....	D10/30

6,075,755	A	*	6/2000	Zarchan	.....	A61J 7/0481 368/10
D434,333	S	*	11/2000	Riley	.....	D10/30
D451,818	S	*	12/2001	Riley	.....	D10/30
D496,291	S	*	9/2004	Walsh, III	.....	D10/32
D529,402	S	*	10/2006	Burton	.....	D10/32
D535,205	S	*	1/2007	Frederick	.....	D10/104.1
D540,695	S	*	4/2007	Leung	.....	D10/31
D548,113	S	*	8/2007	Burton	.....	D10/32
D645,360	S	*	9/2011	Kiser	.....	D10/32
D657,697	S	*	4/2012	Lammers-Meis	.....	D10/31

(Continued)

*Primary Examiner* — Steven J Czyz

(74) *Attorney, Agent, or Firm* — Albert Bordas, P.A.

(57) **CLAIM**

The ornamental design for a medicine administration device, as shown and described.

**DESCRIPTION**

FIG. 1 is a front view of a medicine administration device; FIG. 2 is a rear view of the medicine administration device design thereof;

FIG. 3 is a left view of the medicine administration device design thereof;

FIG. 4 is a right view of the medicine administration device design thereof;

FIG. 5 is a first perspective view of the medicine administration device design thereof;

FIG. 6 is a second perspective view of the medicine administration device design thereof;

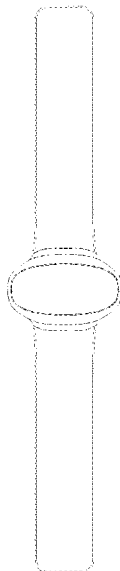
FIG. 7 is a third perspective view of the medicine administration device design thereof;

FIG. 8 is a fourth perspective view of the medicine administration device design thereof;

FIG. 9 is a fifth perspective view of the medicine administration device design thereof; and,

FIG. 10 is a front view of the medicine administration device, shown in use and in an alternate state.

**1 Claim, 10 Drawing Sheets**



(56)

**References Cited**

U.S. PATENT DOCUMENTS

D709,787	S *	7/2014	Rummonds .....	D11/2
D710,235	S *	8/2014	Rummonds .....	D11/2
D761,675	S *	7/2016	Thaveeprungsriporn .....	D10/38
D768,623	S *	10/2016	Zou .....	D10/39
D773,944	S *	12/2016	Wang .....	D10/30
9,927,774	B2 *	3/2018	Rotbergs .....	G04B 37/127
10,383,528	B2 *	8/2019	Ho .....	A61B 5/02108
D860,818	S *	9/2019	Viry .....	D10/32
D864,011	S *	10/2019	Moon .....	D11/3
D865,543	S *	11/2019	Lumme .....	D10/70
D865,546	S *	11/2019	Kellock .....	D10/70

\* cited by examiner

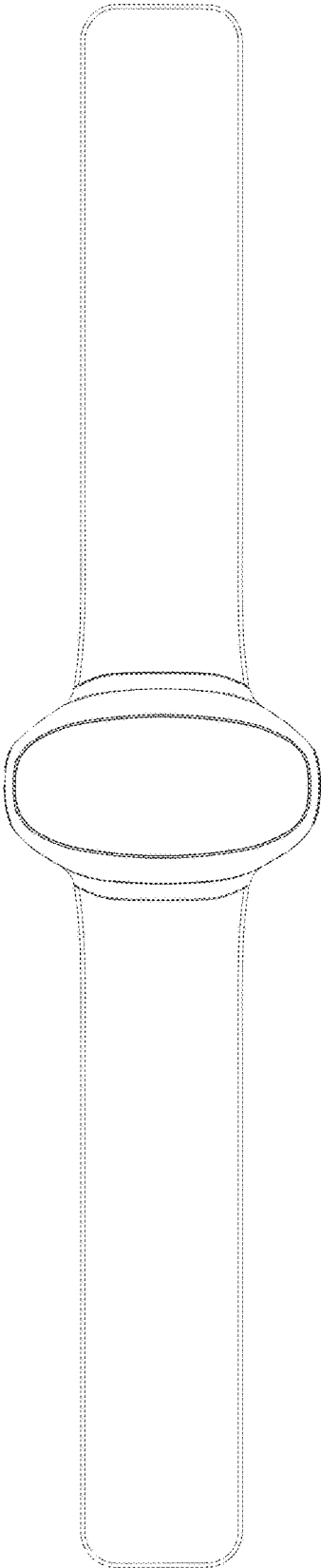


FIG. 1

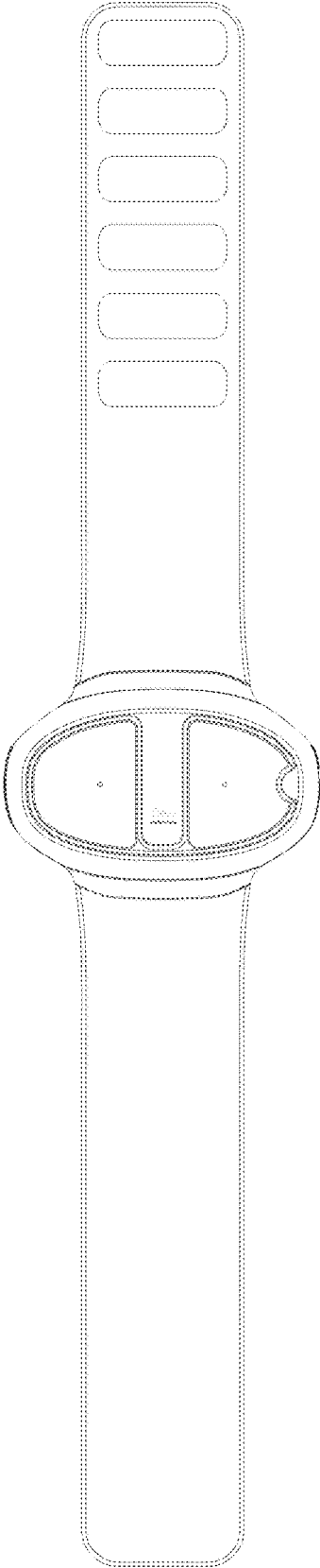


FIG. 2

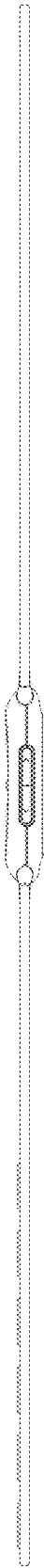


FIG. 3



FIG. 4

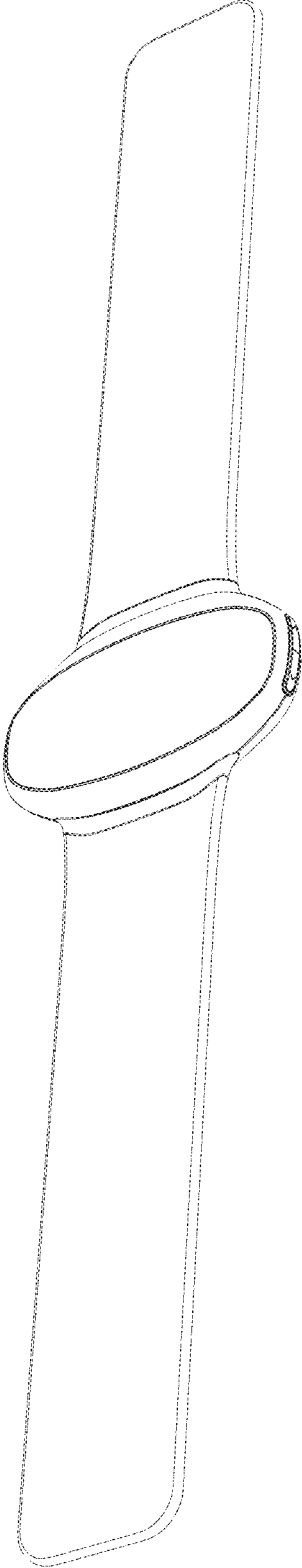


FIG. 5

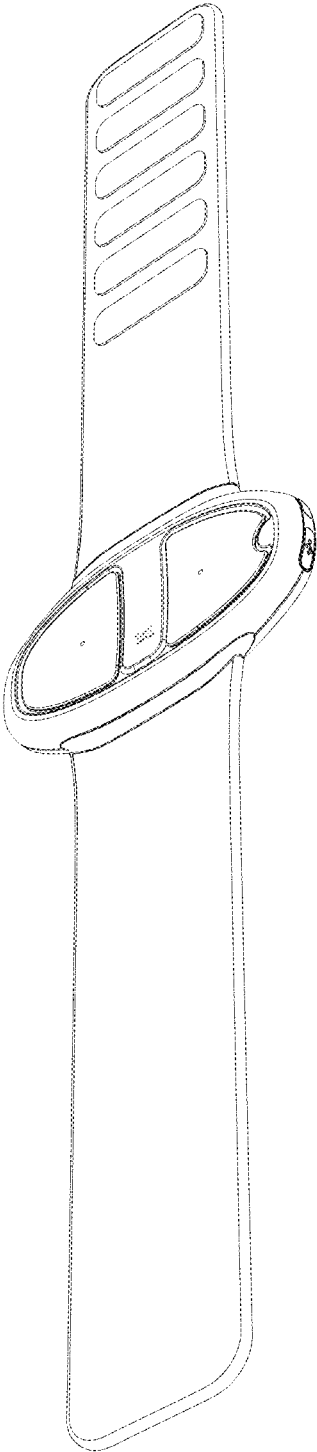


FIG. 6



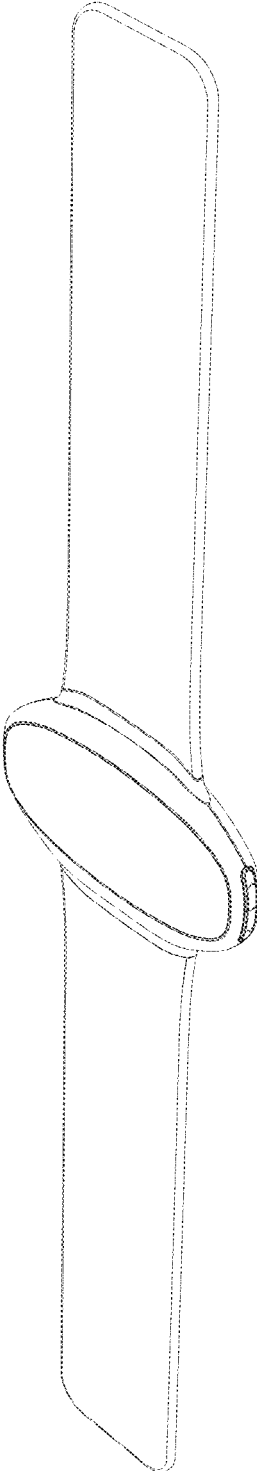


FIG. 7

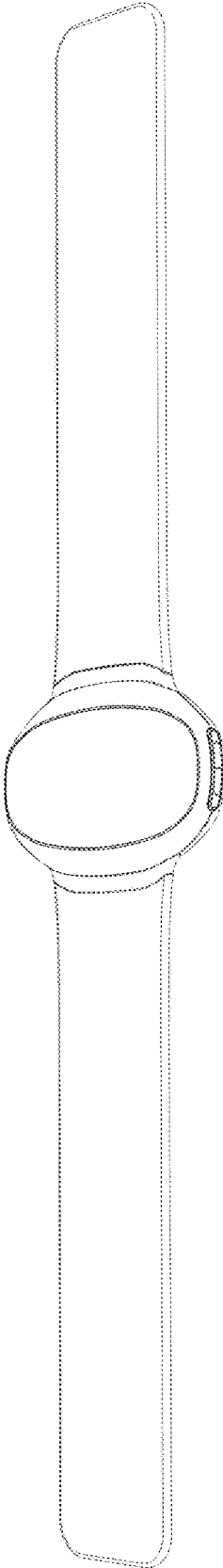


FIG. 8

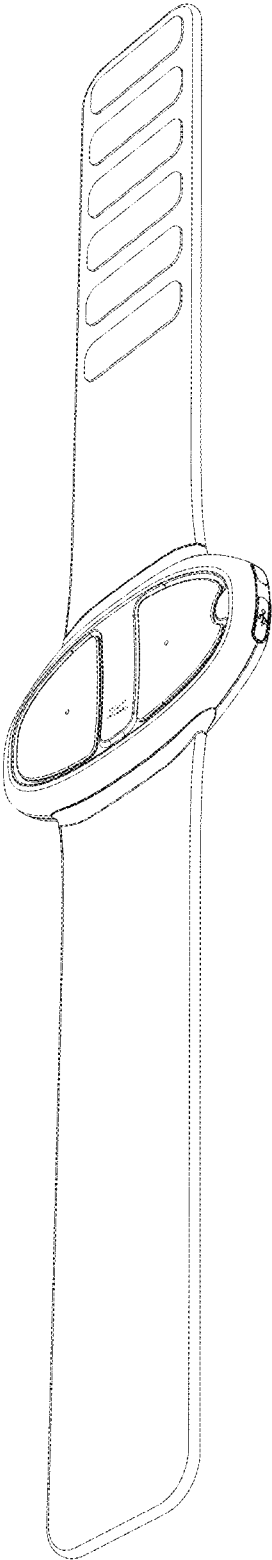


FIG. 9

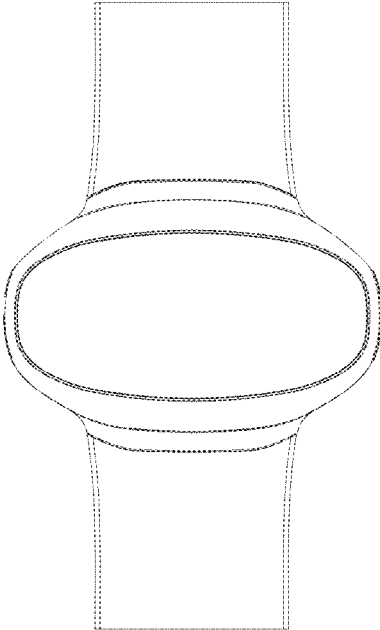


FIG. 10