

(19) World Intellectual Property Organization
International Bureau



(43) International Publication Date
7 May 2009 (07.05.2009)

PCT

(10) International Publication Number
WO 2009/059209 A3

- (51) International Patent Classification:
A44C 5/00 (2006.01)
- (21) International Application Number:
PCT/US2008/082090
- (22) International Filing Date: 31 October 2008 (31.10.2008)
- (25) Filing Language: English
- (26) Publication Language: English
- (30) Priority Data:
60/984,333 31 October 2007 (31.10.2007) US
- (71) Applicant (for all designated States except US):
MOVADO LLC [US/US]; Silverside Carr Executive Center, 501 Silverside Road, Wilmington, DE 10809 (US).

(81) Designated States (unless otherwise indicated, for every kind of national protection available): AE, AG, AL, AM, AO, AT, AU, AZ, BA, BB, BG, BH, BR, BW, BY, BZ, CA, CH, CN, CO, CR, CU, CZ, DE, DK, DM, DO, DZ, EC, EE, EG, ES, FI, GB, GD, GE, GH, GM, GT, HN, HR, HU, ID, IL, IN, IS, JP, KE, KG, KM, KN, KP, KR, KZ, LA, LC, LK, LR, LS, LT, LU, LY, MA, MD, ME, MG, MK, MN, MW, MX, MY, MZ, NA, NG, NI, NO, NZ, OM, PG, PH, PL, PT, RO, RS, RU, SC, SD, SE, SG, SK, SL, SM, ST, SV, SY, TJ, TM, TN, TR, TT, TZ, UA, UG, US, UZ, VC, VN, ZA, ZM, ZW.

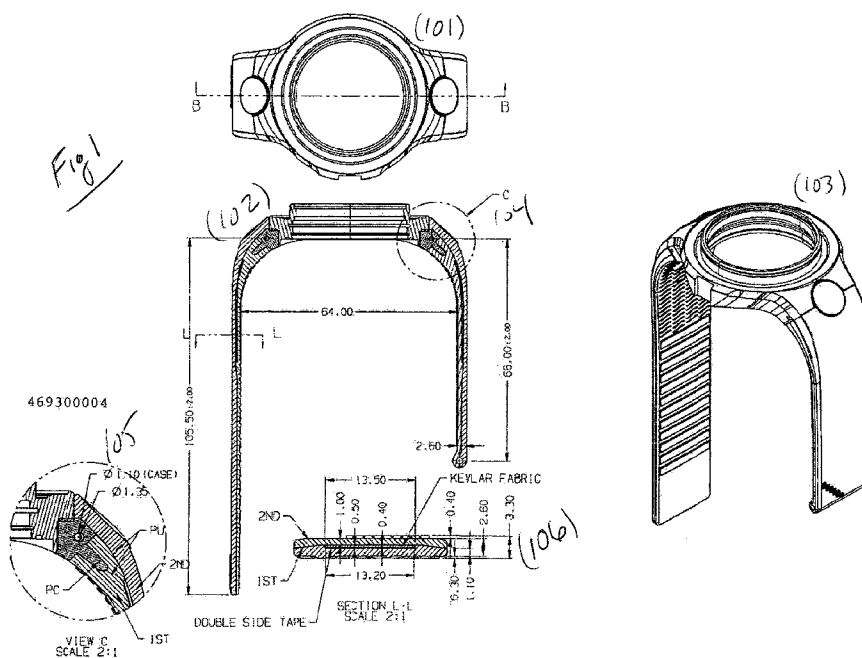
- (72) Inventors; and
- (75) Inventors/Applicants (for US only): **FORSTENZER, Deborah** [US/US]; 168 West 86th Street, New York, NY 10024 (US). **MOORE, Christopher, S.** [US/US]; 403 East Marsh Lane, Wilmington DE 19804 (US). **STRASSER, Florian** [CH/CH]; Breitenstrasse 5, CH-2554 Mainisberg (CH).
- (74) Agent: **FERENCE, Stanley, D., III**; Ference & Associates LLC, 409 Broad Street, Pittsburgh, PA 15143 (US).

(84) Designated States (unless otherwise indicated, for every kind of regional protection available): ARIPO (BW, GH, GM, KE, LS, MW, MZ, NA, SD, SL, SZ, TZ, UG, ZM, ZW), Eurasian (AM, AZ, BY, KG, KZ, MD, RU, TJ, TM), European (AT, BE, BG, CH, CY, CZ, DE, DK, EE, ES, FI, FR, GB, GR, HR, HU, IE, IS, IT, LT, LU, LV, MC, MT, NL, NO, PL, PT, RO, SE, SI, SK, TR), OAPI (BF, BJ, CF, CG, CI, CM, GA, GN, GQ, GW, ML, MR, NE, SN, TD, TG).

Published:
— with international search report
— before the expiration of the time limit for amending the claims and to be republished in the event of receipt of amendments

(88) Date of publication of the international search report:
18 June 2009

(54) Title: INTEGRATED WATCHBAND AND METHODS THEREFOR



(57) Abstract: The present invention includes an integrated (composite) watchband and process for making a watchband that integrates a high tensile strength fabric (e.g. an aramid fabric) within the watchband via an injection molding process. The resultant integrated watchband exhibits greatly increased strength while maintaining all the necessary characteristics of a conventional band.

WO 2009/059209 A3

INTERNATIONAL SEARCH REPORT

International application No
PCT/US2008/082090

A. CLASSIFICATION OF SUBJECT MATTER INV. A44C5/00		
According to International Patent Classification (IPC) or to both national classification and IPC		
B. FIELDS SEARCHED		
Minimum documentation searched (classification system followed by classification symbols) A44C		
Documentation searched other than minimum documentation to the extent that such documents are included in the fields searched		
Electronic data base consulted during the international search (name of data base and, where practical, search terms used) EPO-Internal		
C. DOCUMENTS CONSIDERED TO BE RELEVANT		
Category*	Citation of document, with indication, where appropriate, of the relevant passages	Relevant to claim No.
X	US 5 212 966 A (MINAMI SHUNJI [JP]) 25 May 1993 (1993-05-25) the whole document -----	1-10, 12-19
X	CH 670 745 A5 (TUBULAR HOLDINGS LTD) 14 July 1989 (1989-07-14) the whole document -----	1-18
X	JP 07 136008 A (SEIKO INSTR INC) 30 May 1995 (1995-05-30) the whole document -----	1, 10
A	US 4 849 145 A (HIRSCH HERMANN [AT]) 18 July 1989 (1989-07-18) -----	
<input type="checkbox"/> Further documents are listed in the continuation of Box C. <input checked="" type="checkbox"/> See patent family annex.		
* Special categories of cited documents :		
A document defining the general state of the art which is not considered to be of particular relevance *E* earlier document but published on or after the international filing date *L* document which may throw doubts on priority claim(s) or which is cited to establish the publication date of another citation or other special reason (as specified) *O* document referring to an oral disclosure, use, exhibition or other means *P* document published prior to the international filing date but later than the priority date claimed		*T* later document published after the international filing date or priority date and not in conflict with the application but cited to understand the principle or theory underlying the invention *X* document of particular relevance; the claimed invention cannot be considered novel or cannot be considered to involve an inventive step when the document is taken alone *Y* document of particular relevance; the claimed invention cannot be considered to involve an inventive step when the document is combined with one or more other such documents, such combination being obvious to a person skilled in the art. *&* document member of the same patent family
Date of the actual completion of the international search 16 April 2009		Date of mailing of the international search report 28/04/2009
Name and mailing address of the ISA/ European Patent Office, P.B. 5818 Patentlaan 2 NL - 2280 HV Rijswijk Tel. (+31-70) 340-2040, Fax: (+31-70) 340-3016		Authorized officer Debard, Michel

INTERNATIONAL SEARCH REPORT

Information on patent family members

International application No

PCT/US2008/082090

Patent document cited in search report	Publication date	Patent family member(s)	Publication date
US 5212966	A	25-05-1993 JP 3194149 B2 JP 4338403 A	30-07-2001 25-11-1992
CH 670745	A5	14-07-1989 NONE	
JP 7136008	A	30-05-1995 NONE	
US 4849145	A	18-07-1989 AT 398026 B DE 3650447 D1 DE 3682526 D1 DE 3686274 D1 EP 0199708 A2 EP 0383364 A2 HK 147494 A JP 2118410 C JP 8029121 B JP 62116114 A	25-08-1994 18-01-1996 02-01-1992 03-09-1992 29-10-1986 22-08-1990 06-01-1995 06-12-1996 27-03-1996 27-05-1987