



US00D437042S

(12) **United States Design Patent** (10) **Patent No.:** **US D437,042 S**  
**Kapturowski** (45) **Date of Patent:** **\*\* Jan. 30, 2001**

- (54) **RADON FAN**
- (75) Inventor: **David P. Kapturowski**, Groveland, MA (US)
- (73) Assignee: **Spruce Environmental Technologies, Inc.**, Ward Hill, MA (US)
- (\*\*) Term: **14 Years**
- (21) Appl. No.: **29/110,692**
- (22) Filed: **Sep. 10, 1999**
- (51) **LOC (7) Cl.** ..... **23-04**
- (52) **U.S. Cl.** ..... **D23/370**
- (58) **Field of Search** ..... D23/411, 370; 454/909, 341; 415/220, 219.1

- (56) **References Cited**
- U.S. PATENT DOCUMENTS**
- D. 381,411 7/1997 Kapturowski ..... D23/370

**OTHER PUBLICATIONS**

Spruce Inline Fan Brochure Folder, 1998.  
 Fantech Sales Brochure, 1998.  
 Fantech Sales Brochure, 1994.

Continental Fan Sales Brochure, Approximately 1995.  
 Vent-Axia Sales Brochure, Approximately 1995.  
 Rosenberg Sales Brochure, Approximately 1990.  
 Fan America (Kanalfakt) Sales Brochure, Approximately 1990.  
 Nutone Sales Brochure, Approximately 1996.

*Primary Examiner*—Lisa Lichtenstein  
 (74) *Attorney, Agent, or Firm*—Wolf, Greenfield & Sacks, P.C.

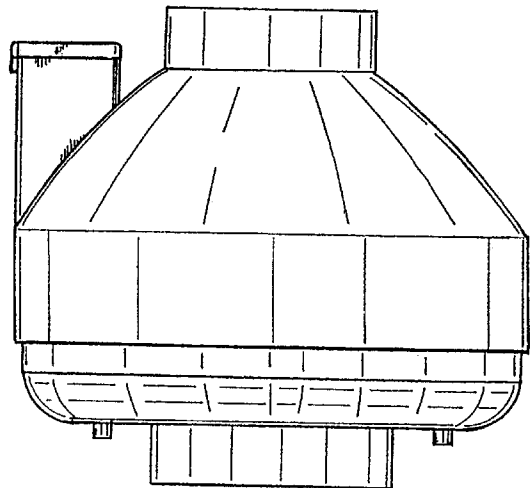
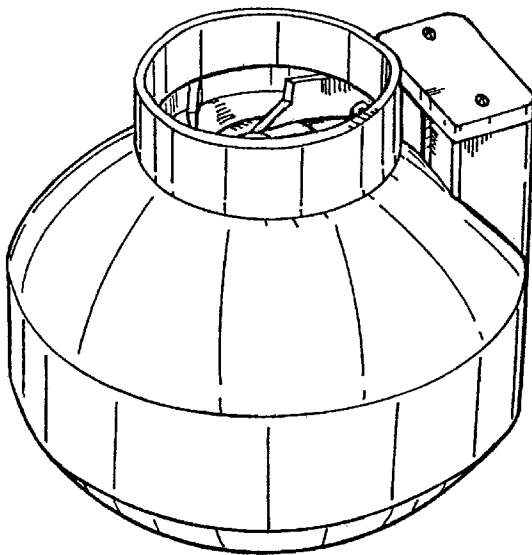
(57) **CLAIM**

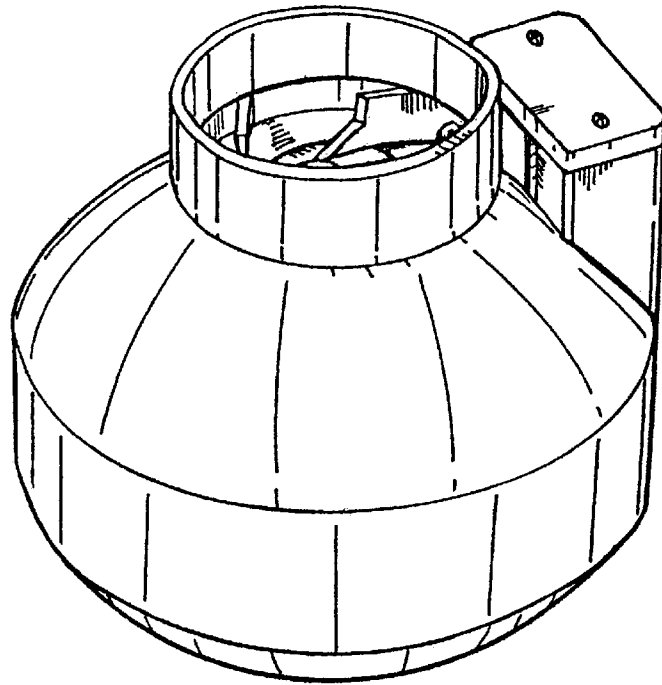
The ornamental design for a radon fan, as shown and described.

**DESCRIPTION**

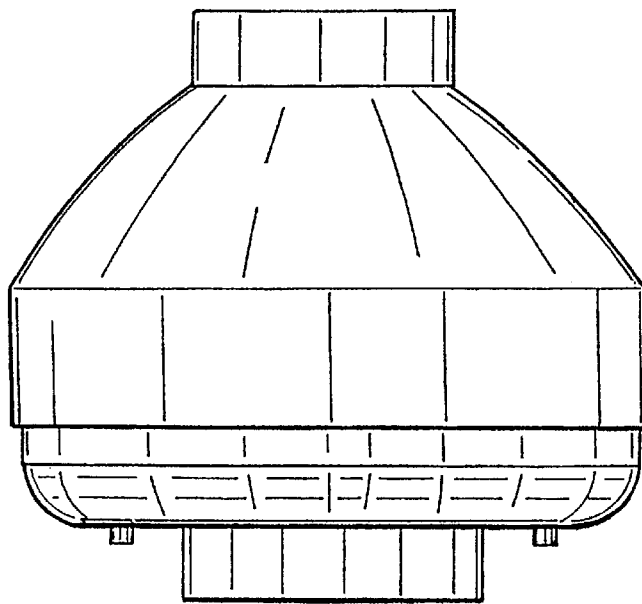
FIG. 1 is a side, top, perspective view of the radon fan;  
 FIG. 2 is a front view thereof;  
 FIG. 3 is a rear view thereof;  
 FIG. 4 is a left side view thereof;  
 FIG. 5 is a right side view thereof;  
 FIG. 6 is a top view thereof; and,  
 FIG. 7 is a bottom view thereof.

**1 Claim, 4 Drawing Sheets**

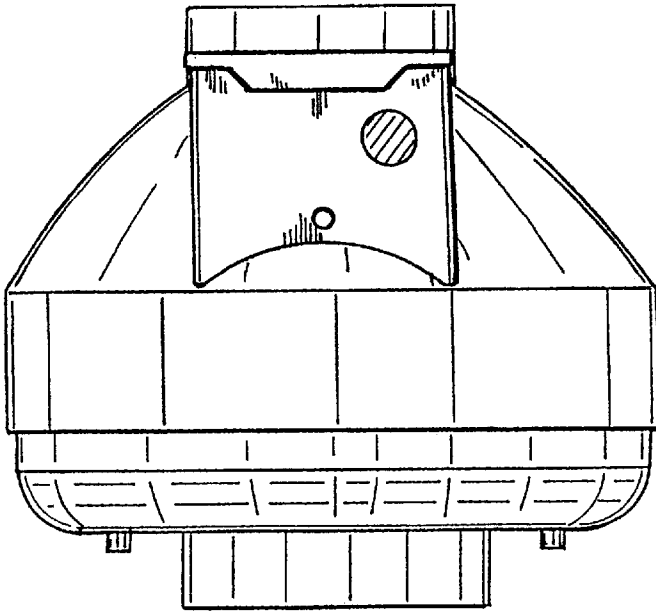




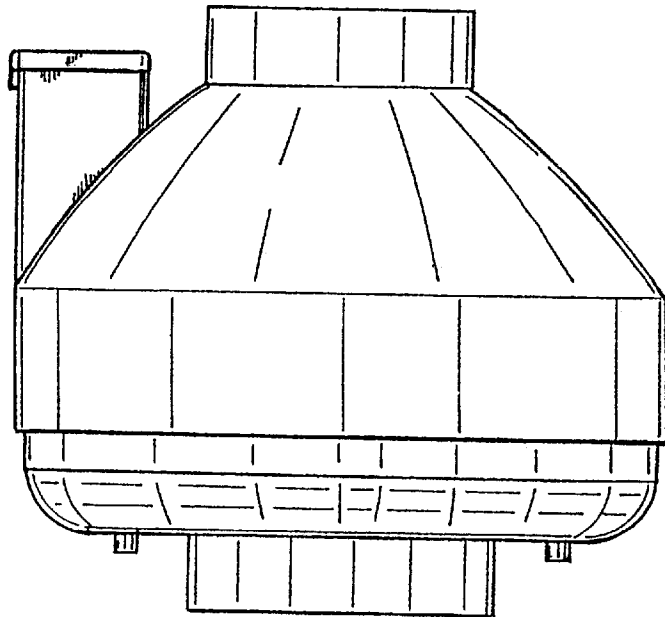
**Fig. 1**



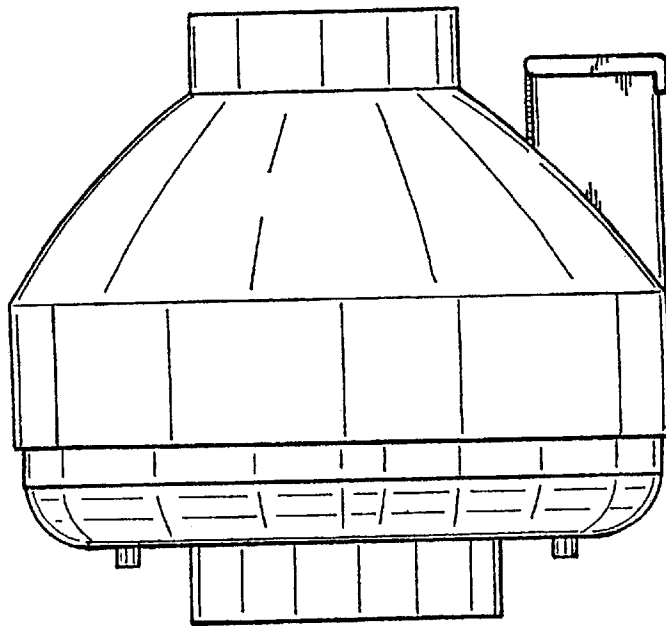
**Fig. 2**



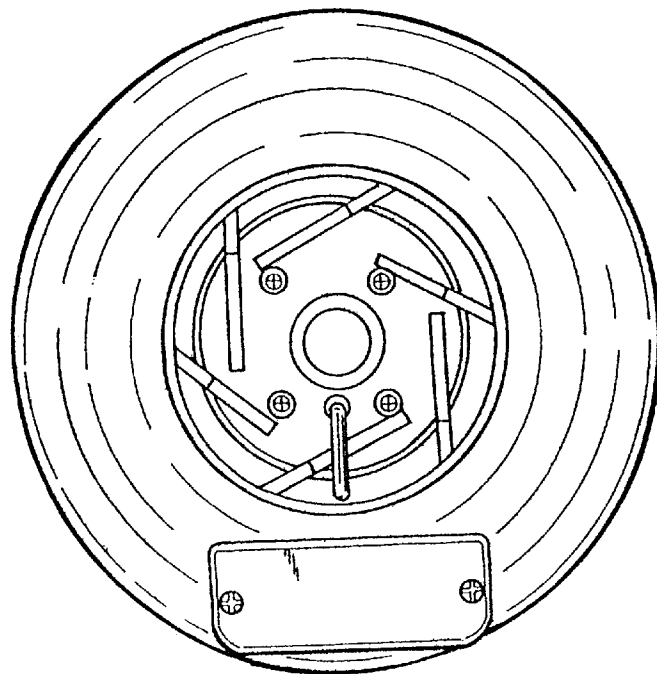
**Fig. 3**



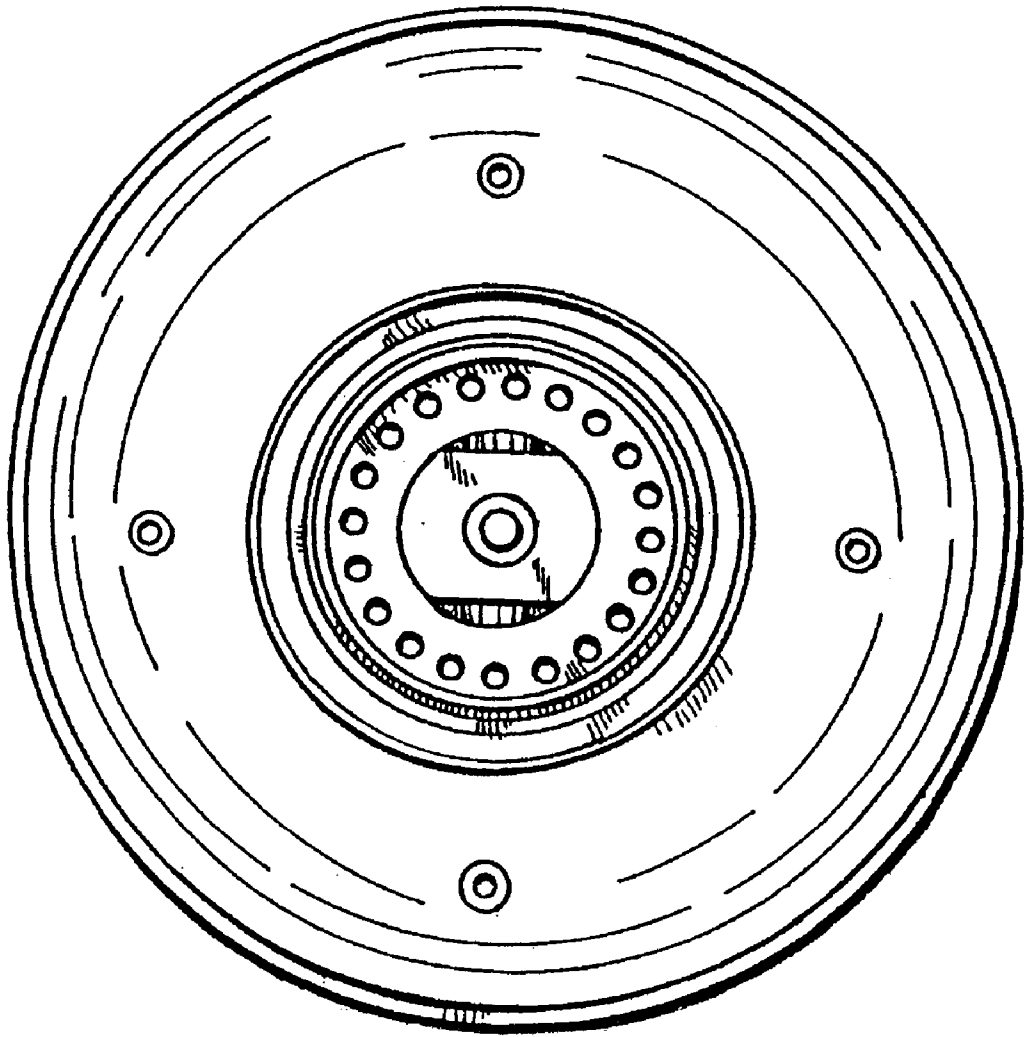
**Fig. 4**



**Fig. 5**



**Fig. 6**



***Fig. 7***