



US00D909843S

(12) **United States Design Patent**
Van Hulst et al.

(10) **Patent No.:** **US D909,843 S**

(45) **Date of Patent:** **** Feb. 9, 2021**

(54) **MODULAR ADJUSTABLE CLAMP**

D675,512 S * 2/2013 Gary D8/395
D750,476 S * 3/2016 Huang D8/395
D789,779 S * 6/2017 Asai B60R 16/0215

(71) Applicant: **HellermannTyton Corporation**,
Milwaukee, WI (US)

D836,185 S * 12/2018 Lippka D23/262
D850,247 S * 6/2019 Sillitoe D8/394
D859,970 S * 9/2019 Tenander D8/394
D861,472 S * 10/2019 Sillitoe D8/394
D863,052 S * 10/2019 Bancroft D8/394

(72) Inventors: **Kenneth J. Van Hulst**, Menomonee
Falls, WI (US); **Emanuel Ruelas
Cabrer**a, Corregidora (MX); **Scott J.
Adams**, Menomonee Falls, WI (US);
Eric J. Haftarski, Big Bend, WI (US)

OTHER PUBLICATIONS

(73) Assignee: **HellermannTyton Corporation**,
Milwaukee, WI (US)

“Final Office Action”, U.S. Appl. No. 29/667,422, dated Jun. 10,
2020, 10 pages.

“Notice of Allowance”, U.S. Appl. No. 29/667,422, dated Sep. 30,
2020, 5 pages.

(**) Term: **15 Years**

* cited by examiner

(21) Appl. No.: **29/667,410**

Primary Examiner — David G Muller

(74) *Attorney, Agent, or Firm* — Colby Nipper PLLC

(22) Filed: **Oct. 22, 2018**

(51) **LOC (13) Cl.** **08-05**

(52) **U.S. Cl.**

USPC **D8/72**

(58) **Field of Classification Search**

USPC D8/71–74, 394–399, 59; 248/63, 72,
248/74.1, 689, 124.2; 81/487, 385, 386,
81/388–390; 269/3, 4, 6, 143, 165, 240,
269/243, 246–249, 254 R, 147–149;
29/256, 257, 276; 408/103, 104–109

CPC B25B 1/00; B25B 5/00

See application file for complete search history.

(57) **CLAIM**

We claim an ornamental design for a modular adjustable
clamp, as shown and described.

DESCRIPTION

FIG. 1 is a perspective front view of the modular adjustable
clamp;

FIG. 2 is a perspective rear view thereof;

FIG. 3 is a top plan elevation view thereof;

FIG. 4 is a right side elevation view thereof;

FIG. 5 is a front elevation view thereof;

FIG. 6 is a right side elevation view thereof;

FIG. 7 is a back elevation view thereof; and,

FIG. 8 is a bottom plan view thereof.

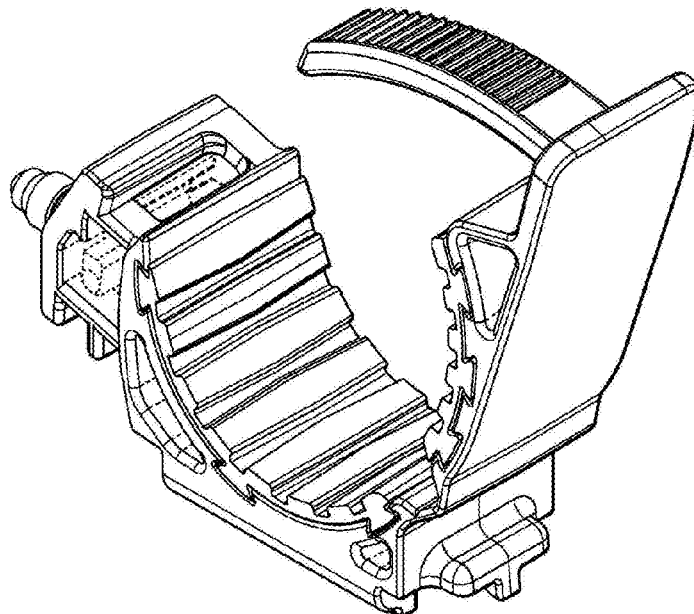
The broken lines that illustrate portions of the modular
adjustable clamp form no part of the claimed design.

(56) **References Cited**

U.S. PATENT DOCUMENTS

D323,106 S * 1/1992 Daigle D8/396
D417,837 S * 12/1999 Nakamura D8/1
D537,334 S * 2/2007 Lee D8/396
D580,748 S * 11/2008 Polak D8/394
D640,536 S * 6/2011 Larsen D8/394

1 Claim, 3 Drawing Sheets



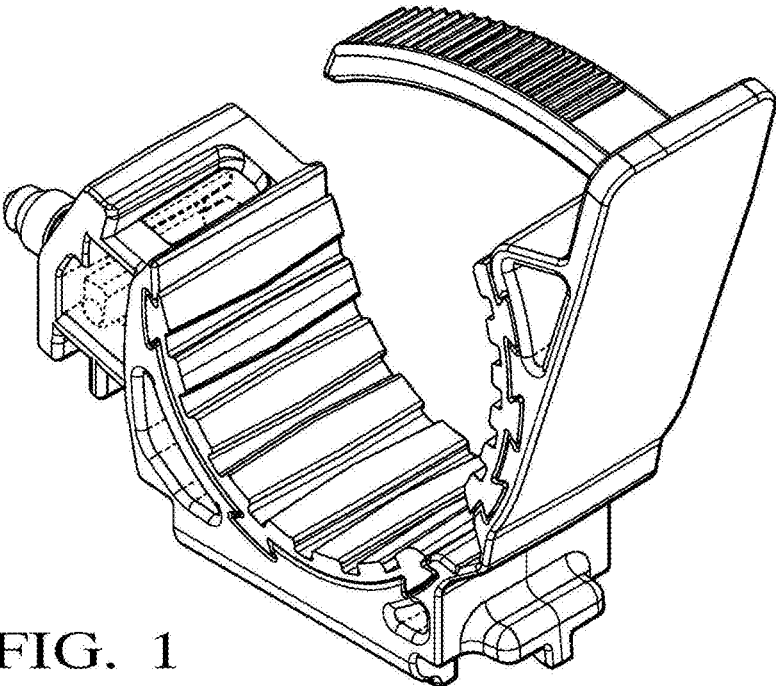


FIG. 1

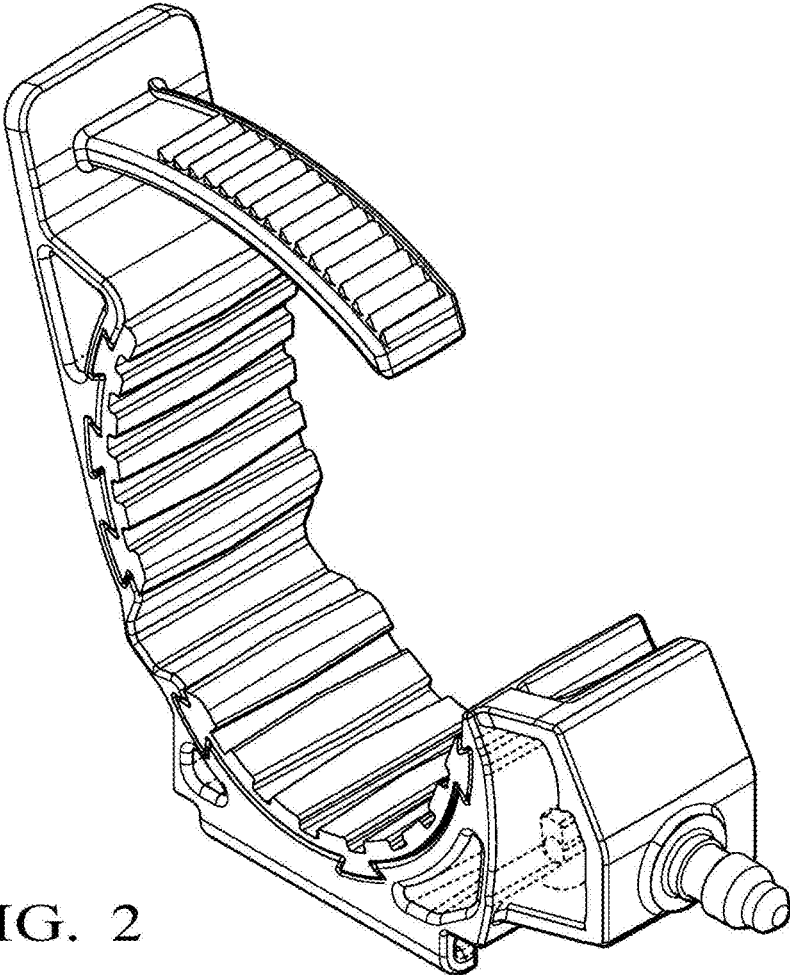


FIG. 2

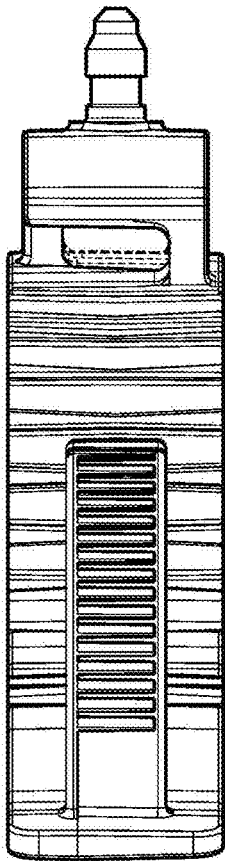


FIG. 3

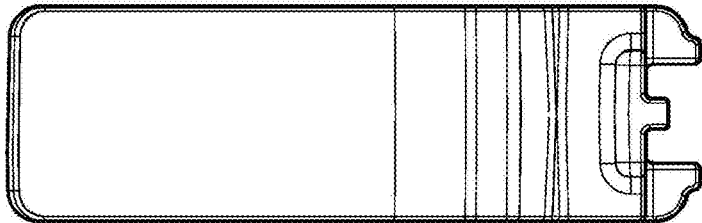


FIG. 4

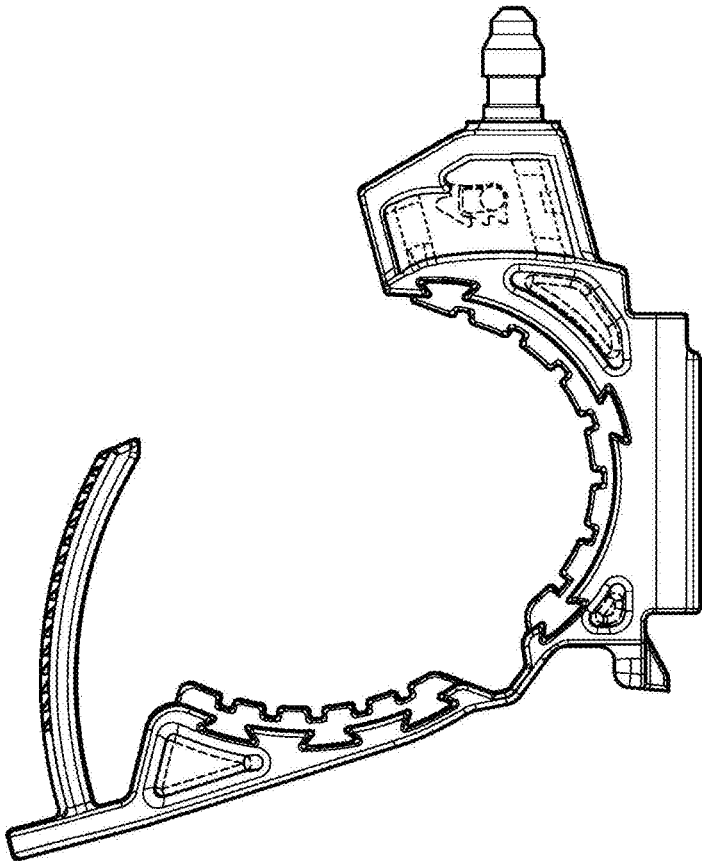


FIG. 5

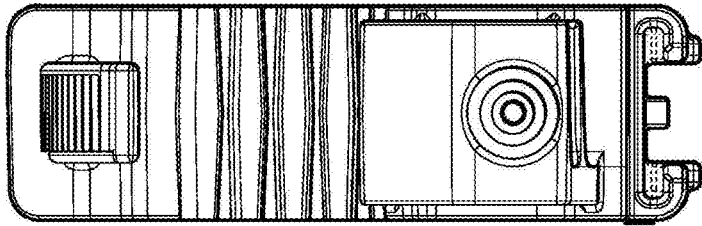


FIG. 6

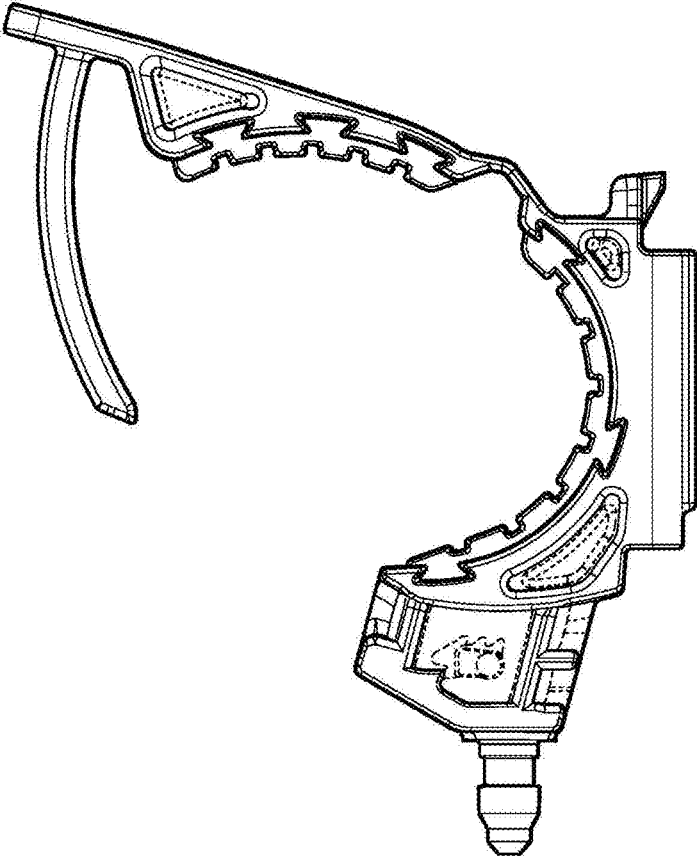


FIG. 7

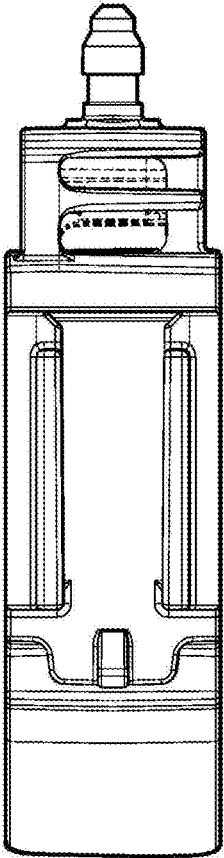


FIG. 8