

(19) World Intellectual Property Organization  
International Bureau



(43) International Publication Date  
12 October 2006 (12.10.2006)

PCT

(10) International Publication Number  
WO 2006/107855 A3

- (51) International Patent Classification:  
F16K 3/00 (2006.01) F16K 25/00 (2006.01)
- (21) International Application Number:  
PCT/US2006/012269
- (22) International Filing Date: 31 March 2006 (31.03.2006)
- (25) Filing Language: English
- (26) Publication Language: English
- (30) Priority Data:  
11/096,447 1 April 2005 (01.04.2005) US
- (71) Applicant (for all designated States except US): SALINA  
VORTEX CORPORATION [US/US]; 3024 Arnold Av-  
enue, Salina, Kansas 67401-8105 (US).
- (72) Inventors; and
- (75) Inventors/Applicants (for US only): YOUNG, Lee, Ed-  
ward [US/US]; 3324 South Simpson Road, Salina, Kansas  
67401-9067 (US). WERNER, Shawn, Michael [US/US];  
924 Highland Street, Salina, Kansas 67401-5040 (US).
- (74) Agent: WHARTON, J., David; Stinson Morrison Hecker  
LLP, 1201 Walnut, Suite 2900, Kansas City, MO 64106-  
2150 (US).
- (81) Designated States (unless otherwise indicated, for every  
kind of national protection available): AE, AG, AL, AM,

AT, AU, AZ, BA, BB, BG, BR, BW, BY, BZ, CA, CH, CN,  
CO, CR, CU, CZ, DE, DK, DM, DZ, EC, EE, EG, ES, FI,  
GB, GD, GE, GH, GM, HR, HU, ID, IL, IN, IS, JP, KE,  
KG, KM, KN, KP, KR, KZ, LC, LK, LR, LS, LT, LU, LV,  
LY, MA, MD, MG, MK, MN, MW, MX, MZ, NA, NG, NI,  
NO, NZ, OM, PG, PH, PL, PT, RO, RU, SC, SD, SE, SG,  
SK, SL, SM, SY, TJ, TM, TN, TR, TT, TZ, UA, UG, US,  
UZ, VC, VN, YU, ZA, ZM, ZW.

(84) Designated States (unless otherwise indicated, for every  
kind of regional protection available): ARIPO (BW, GH,  
GM, KE, LS, MW, MZ, NA, SD, SL, SZ, TZ, UG, ZM,  
ZW), Eurasian (AM, AZ, BY, KG, KZ, MD, RU, TJ, TM),  
European (AT, BE, BG, CH, CY, CZ, DE, DK, EE, ES, FI,  
FR, GB, GR, HU, IE, IS, IT, LT, LU, LV, MC, NL, PL, PT,  
RO, SE, SI, SK, TR), OAPI (BF, BJ, CF, CG, CI, CM, GA,  
GN, GQ, GW, ML, MR, NE, SN, TD, TG).

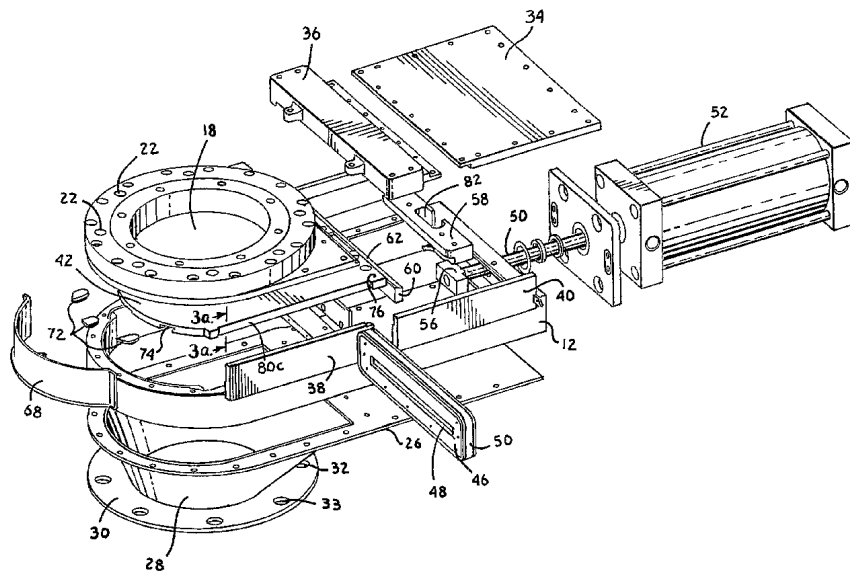
**Published:**

- with international search report
- before the expiration of the time limit for amending the  
claims and to be republished in the event of receipt of  
amendments

(88) Date of publication of the international search report:  
15 March 2007

For two-letter codes and other abbreviations, refer to the "Guid-  
ance Notes on Codes and Abbreviations" appearing at the begin-  
ning of each regular issue of the PCT Gazette.

(54) Title: HIGH PRESSURE GATE VALVE



(57) Abstract: A high-pressure gate valve (10) for control of bulk materials includes a main body (12) with an opening (18) for passing bulk material, an upper body, a slideable blade (42), and lifting structure configured to raise the blade (42) in a planar motion, perpendicular to the primary direction of travel and seal it against the upper body when the blade (42) is extended. An actuating cylinder (52) coupled with a rear edge (76) of the blade (42) extends and retracts the blade (42). A rear portion (16) of the valve is enclosed to protect the rear edge (76) of the blade (42), the actuating cylinder (52), and the coupler (56) between the two.

WO 2006/107855 A3

**INTERNATIONAL SEARCH REPORT**

International application No.

PCT/US06/12269

**A. CLASSIFICATION OF SUBJECT MATTER**  
 IPC: **F16K 3/00( 2007.01),25/00( 2007.01)**  
  
 USPC: 251/203,328,329  
 According to International Patent Classification (IPC) or to both national classification and IPC

**B. FIELDS SEARCHED**  
 Minimum documentation searched (classification system followed by classification symbols)  
 U.S. : 251/203,328,329  
  
 Documentation searched other than minimum documentation to the extent that such documents are included in the fields searched  
  
 Electronic data base consulted during the international search (name of data base and, where practicable, search terms used)

**C. DOCUMENTS CONSIDERED TO BE RELEVANT**

Category *	Citation of document, with indication, where appropriate, of the relevant passages	Relevant to claim No.
X	US 5,295,661 A (ROUSSEL) 22 March 1994 (22.03.1994), figures 1-11.	1, 6-8, 10-14
X	US 4,294,427 A (CILNY) 13 October 1981 (13.10.1981), figure 1.	1, 10-14
---		-----
Y		6-8
X	US 6,375,157 B1 (VAN DE LANDE) 23 April 2002 (23.04.2002), figures 1-4.	15-16
---		-----
Y		6-8 and 10-14
X	US 4,206,905 A (DOBLER) 10 June 1980 (10.06.1980), figures 1-5.	15-16
---		-----
Y		6-8 and 10-14

Further documents are listed in the continuation of Box C.       See patent family annex.

\* Special categories of cited documents:

"A"	document defining the general state of the art which is not considered to be of particular relevance	"T"	later document published after the international filing date or priority date and not in conflict with the application but cited to understand the principle or theory underlying the invention
"E"	earlier application or patent published on or after the international filing date	"X"	document of particular relevance; the claimed invention cannot be considered novel or cannot be considered to involve an inventive step when the document is taken alone
"L"	document which may throw doubts on priority claim(s) or which is cited to establish the publication date of another citation or other special reason (as specified)	"Y"	document of particular relevance; the claimed invention cannot be considered to involve an inventive step when the document is combined with one or more other such documents, such combination being obvious to a person skilled in the art
"O"	document referring to an oral disclosure, use, exhibition or other means	"&"	document member of the same patent family
"P"	document published prior to the international filing date but later than the priority date claimed		

Date of the actual completion of the international search 16 November 2006 (16.11.2006)	Date of mailing of the international search report 29 JAN 2007
Name and mailing address of the ISA/US Mail Stop PCT, Attn: ISA/US Commissioner for Patents P.O. Box 1450 Alexandria, Virginia 22313-1450 Facsimile No. (571) 273-3201	Authorized officer John Bastianelli <i>Sharon A. Keene for</i> Telephone No. (571) 272-3700