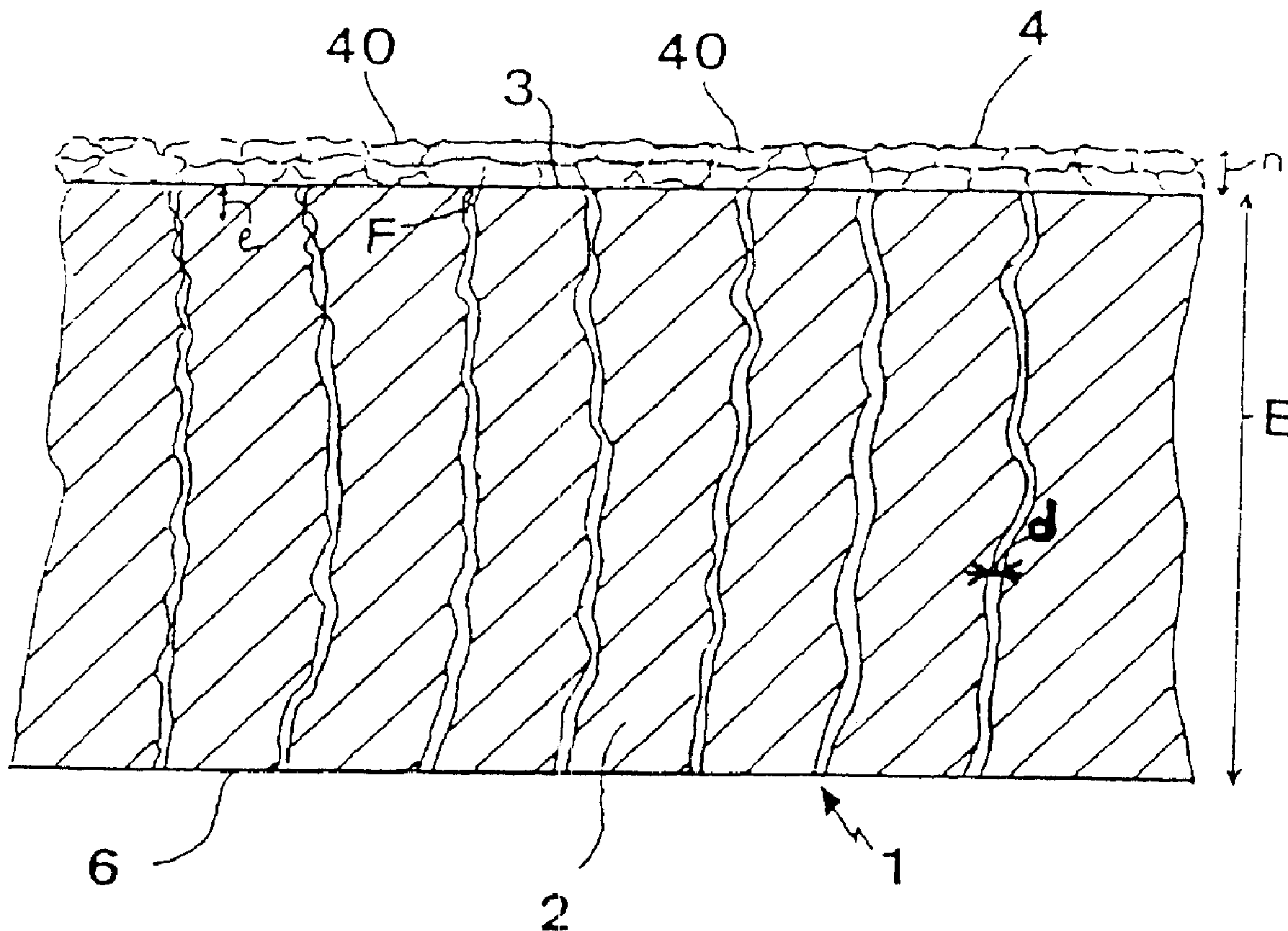




(86) Date de dépôt PCT/PCT Filing Date: 1999/11/04  
 (87) Date publication PCT/PCT Publication Date: 2000/05/11  
 (45) Date de délivrance/Issue Date: 2011/03/22  
 (85) Entrée phase nationale/National Entry: 2001/05/01  
 (86) N° demande PCT/PCT Application No.: US 1999/025955  
 (87) N° publication PCT/PCT Publication No.: 2000/025838  
 (30) Priorité/Priority: 1998/11/04 (BE9800796)

(51) Cl.Int./Int.Cl. *A61L 27/00* (2006.01),  
*A61L 27/22* (2006.01), *A61L 27/34* (2006.01),  
*A61L 27/50* (2006.01), *A61L 27/60* (2006.01),  
*B01D 69/10* (2006.01), *B01D 71/74* (2006.01)  
 (72) Inventeurs/Inventors:  
 DELMOTTE, YVES, BE;  
 BELOT, NATHALIE, BE;  
 VERMEULEN, PIERRE, BE;  
 TASIAUX, NICOLE, BE  
 (73) Propriétaire/Owner:  
 BAXTER INTERNATIONAL INC., US  
 (74) Agent: SIM & MCBURNEY

(54) Titre : ELEMENT POURVU D'UNE COUCHE DE FIBRINE, SA PREPARATION ET SON UTILISATION  
 (54) Title: ELEMENT PROVIDED WITH A FIBRIN LAYER, PREPARATION AND USE THEREOF



(57) Abrégé/Abstract:

An element provided with a layer based on fibrin- or fibrinogen-containing material, said element comprising (a) a hydrophobic or substantially hydrophobic support, which has a porous part with a thickness of 0.1 to 5 mm, and whose pores, extending across its

(57) **Abrégé(suite)/Abstract(continued):**

thickness have a node spacing of 5 to 100  $\mu\text{m}$ , one face of said porous part being treated with a compound based on fibrin and/or a fibrinogen-containing material, and (b) a fibrin-based layer covering said treated surface of the support, characterized in that said fibrin-based layer is substantially uniform and homogeneous on said treated surface, and that the fibrin layer and at least the face of the support in contact with the fibrin layer are substantially free of fibrinogen.



## INTERNATIONAL APPLICATION PUBLISHED UNDER THE PATENT COOPERATION TREATY (PCT)

(51) International Patent Classification 7 : A61L 27/00, 27/22	A1	(11) International Publication Number: <b>WO 00/25838</b> (43) International Publication Date: 11 May 2000 (11.05.00)
<p>(21) International Application Number: PCT/US99/25955</p> <p>(22) International Filing Date: 4 November 1999 (04.11.99)</p> <p>(30) Priority Data: 9800796 4 November 1998 (04.11.98) BE</p> <p>(71) Applicant (for all designated States except US): BAXTER INTERNATIONAL INC. [CA/US]; One Baxter Parkway, Deerfield, IL 60015 (US).</p> <p>(72) Inventors; and (75) Inventors/Applicants (for US only): DELMOTTE, Yves [BE/BE]; 36, rue de la Fontaine, B-7333 Terte (BE). BELOT, Nathalie [BE/BE]; 6, rue de Saintes, bte 2, B-1400 Nivelles (BE). VERMEULEN, Pierre [BE/BE]; 64, avenue des Alouttes, B-1428 Lillois (BE). TASIAUX, Nicole [BE/BE]; 11, avenue des Bouleaux, B-1170 Bruxelles (BE).</p> <p>(74) Agents: GUTHRIE, Janice et al.; Baxter Healthcare Corporation, P.O. Box 15210, Irvine, CA 92623-5210 (US).</p>	<p>(81) Designated States: AE, AL, AM, AT, AU, AZ, BA, BB, BG, BR, BY, CA, CH, CN, CR, CU, CZ, DE, DK, DM, EE, ES, FI, GB, GD, GE, GH, GM, HR, HU, ID, IL, IN, IS, JP, KE, KG, KP, KR, KZ, LC, LK, LR, LS, LT, LU, LV, MD, MG, MK, MN, MW, MX, NO, NZ, PL, PT, RO, RU, SD, SE, SG, SI, SK, SL, TJ, TM, TR, TT, UA, UG, US, UZ, VN, YU, ZA, ZW, ARIPO patent (GH, GM, KE, LS, MW, SD, SL, SZ, TZ, UG, ZW), Eurasian patent (AM, AZ, BY, KG, KZ, MD, RU, TJ, TM), European patent (AT, BE, CH, CY, DE, DK, ES, FI, FR, GB, GR, IE, IT, LU, MC, NL, PT, SE), OAPI patent (BF, BJ, CF, CG, CI, CM, GA, GN, GW, ML, MR, NE, SN, TD, TG).</p> <p><b>Published</b> With international search report. Before the expiration of the time limit for amending the claims and to be republished in the event of the receipt of amendments.</p>	
(54) Title: ELEMENT PROVIDED WITH A FIBRIN LAYER, PREPARATION AND USE THEREOF		
<p>(57) Abstract</p> <p>An element provided with a layer based on fibrin- or fibrinogen-containing material, said element comprising (a) a hydrophobic or substantially hydrophobic support, which has a porous part with a thickness of 0.1 to 5 mm, and whose pores, extending across its thickness have a node spacing of 5 to 100 <math>\mu\text{m}</math>, one face of said porous part being treated with a compound based on fibrin and/or a fibrinogen-containing material, and (b) a fibrin-based layer covering said treated surface of the support, characterized in that said fibrin-based layer is substantially uniform and homogeneous on said treated surface, and that the fibrin layer and at least the face of the support in contact with the fibrin layer are substantially free of fibrinogen.</p>		



**ELEMENT PROVIDED WITH A FIBRIN LAYER,**  
**PREPARATION AND USE THEREOF**

The invention relates to an element having a fibrin-based layer, the element comprising (a) a hydrophobic or substantially hydrophobic support which has a porous part with a thickness of 0.1 to 5 mm, and whose pores, extending across its thickness, have a node spacing of 5 to 100 $\mu$ m, one face of the porous part being treated with a fibrin and/or fibrinogen-based compound, and (b) a fibrin-based layer covering the treated face of the support.

Such elements are known from PCT Application No. W096/07444 and from U.S. Patent 5,298,255. These known elements are prepared by simply immersing a support in a solution containing fibrinogen and thrombin or by pushing such solution through a porous support. These known elements, when prepared by simple immersion, have a substantially compact fibrin layer and have little or no fibrin in the support pores, or have fibrin in the pores having greater diameters and substantially no fibrin in the pores having smaller diameters, due to an easier passage of fibrin through the pores with greater diameters. This easier passage of fibrin through the pores with greater diameters causes a lack of homogeneity and/or uniformity.

Such lack of homogeneity or uniformity with respect to the presence of fibrin in the support pores has proved, in some cases, to affect cell attachment.

Accordingly, in one aspect of the present invention there is provided an element provided with a layer based on fibrin- or fibrinogen-containing material, the element comprising:

(a) a hydrophobic or substantially hydrophobic support, which has a porous part with a thickness of 0.1 to 5 mm, and having pores, extending across its thickness having an average diameter of 5 to 40 $\mu$ m, one face of the porous part being treated with a compound based on fibrin and/or a fibrinogen-containing material; and

(b) a fibrin-based layer covering the treated face of the support, wherein the fibrin-based layer and at least the face of the support in contact with the fibrin-based layer contains less than 0.5% by weight of fibrinogen.

This invention aims at obviating these drawbacks and essentially relates to an element as described in the first paragraph of this specification,

said element being characterized in that said fibrin-based layer is substantially uniform and homogeneous on said treated surface. The fibrin layer according to the present invention is characterized by the lack of fibrinogen, unbound from the fibrin layer. The lack of fibrinogen on the fibrin layer may be detected by the absence of the  $\gamma$  band in the electrophoresis diagram. The lack of fibrinogen in the fibrin layer is caused by the fact that any fibrinogen which has not reacted to form the fibrin layer is sucked through the porous support. Hence, the element according to the invention is characterized in that, at the contact surface between the fibrin layer and the support, there is substantially preferably no fibrinogen which has not reacted. For example, the fibrin layer of the element according to the invention contains less than 2% by weight of fibrinogen which has not reacted to form a fibrin network, preferably less than 1%, particularly less than 0.5% and more particularly less than 0.1%.

Advantageously, the fibrin layer and at least a support layer extending across a thickness of  $10\mu\text{m}$  contains less than 1% by weight, advantageously less than 0.5%, preferably less than 0.1% by weight of fibrinogen which has not reacted, with respect to the weight of the fibrin layer. Preferably, fibrin extends across the thickness of the treated porous part of the support, from said treated face to a depth of at least  $2\mu\text{m}$ , both through the pores having an average diameter of 10 to  $20\mu\text{m}$  and through the pores having an average diameter of more than  $20\mu\text{m}$ .

In accordance with a particular embodiment, in which the porous part of the support has a substantially homogeneous and uniform porosity over the



treated face, some fibrin extends homogeneously and uniformly across the thickness of the porous part of the support to a depth of at least  $10\mu\text{m}$ . According to a possible embodiment, the porous support contains  
5 fibrinogen in a layer which is at a distance of more than  $10\mu\text{m}$  from the face in contact with the fibrin layer, particularly to a depth of  $20\mu\text{m}$ .

The presence of free fibrinogen (having not reacted yet) has to be preferably avoided when the  
10 fibrin network has been already formed, in order to prevent new fibrin bonds from forming in the network upon reimmersion of the dried fibrin layer, such bonds reducing the size of the alveoli or of some alveoli of the network.

According to one embodiment of the  
15 invention, some of the fibrin attached to the network extends across the thickness of the treated porous part of the support, from said treated surface to a depth of at least  $2\mu\text{m}$ , through the pores having an average diameter of 10 to  $20\mu\text{m}$  and through the pores having an average  
.20 diameter above  $20\mu\text{m}$ . Although the support may be made of any hydrophobic or substantially hydrophobic material, it is particularly made of polyethylene, of polyethylene terephthalate or of polytetrafluoroethylene, said materials being advantageously stretched, particularly in  
25 both axial directions.

The term hydrophobic or substantially hydrophobic material is used herein to identify materials having a bias of 30 to  $50^\circ$ , which bias is measured with the method ASTM D 2578-84.

30 Advantageously, the porous part of the support has a substantially homogeneous and uniform porosity over the treated surface, i.e. the pore distribution or number by surface unit is substantially

uniform for the porous part. For example, given one porous part, the volume of the pores having a diameter of more than  $10\mu\text{m}$  in an area of  $1\text{ cm}^2$  of the porous part varies from 0.8 to 1.2, preferably from 0.9 to 1.1 times the  
5 average volume of pores having a diameter of more than  $10\mu\text{m}$ , for each  $\text{cm}^2$  of the porous part.

According to one embodiment, at least the face of the fibrin layer opposite to the one contacting the porous support is stabilized. Particularly, said  
10 fibrin-based layer is at least partially cross-linked, to form a network of adjacent alveoli, having apertures therebetween. The layer is advantageously sufficiently cross-linked not to be water-soluble. According to a detail of one advantageous embodiment, said layer is  
15 provided with cells and/or proteins, particularly with proteins mediating cell-fibrin bonds, with fibronectin, etc.

Although the thickness of the fibrin layer, when it is hydrated and re-hydrated may be of more than  $100\mu\text{m}$ , or even of more than  $150\mu\text{m}$ , according to a  
20 characteristic of one preferred embodiment, the cross-linked fibrin-based layer (in the hydrated or post-hydration state) which covers the porous part of the support is 0.5 to  $100\mu\text{m}$  thick, advantageously 2.5 to  $50\mu\text{m}$   
25 thick, preferably 5 to  $20\mu\text{m}$  thick, with alveoli being formed between the cross-linked fibrin-based molecules or bonds, said alveoli having a volume of 5 to  $25\mu\text{m}^3$ , the average thickness or height of said chamber being of 1 to  $5\mu\text{m}$ , particularly of 1 to  $3\mu\text{m}$ .

30 According to a detail of one particular embodiment, the pores of the support part, covered by said fibrin layer have inner faces at least partially covered by a water-soluble or substantially water-soluble protein.

For example the pores of the support part covered by said fibrin layer are partially covered by fibrinogen, albumin, fibronectin, vitronectin, or by a mixture thereof. Particularly, the support face opposite to the treated  
5 face is at least partially covered by a water-soluble or substantially water-soluble protein. Such covering is advantageous to improve the adhesion of tissues in contact with the face opposite to the treated face of the support.

In accordance with an advantageous  
10 characteristic, at least the pores of the porous part of the support are at least partially covered by a water-soluble or miscible polar additive. Such additive is preferably non-denaturing for protein and biocompatible structures. Such additives may include glycerol, sugars  
15 (sucrose, mannitol, sorbitol, etc.). Said additives are particularly soluble or at least miscible in water and are particularly selected amongst water-soluble or miscible additives allowing to lower the freezing temperature as compared with the water freezing temperature at  
-20 atmospheric pressure.

According to a preferred embodiment, the element is dry, for example having a moisture content of less than 0.5% by weight, or even of less than 0.1% by weight.

25 According to an advantageous embodiment, the fibrin layer is cross-linked in presence of fibronectin. The cross-linked fibronectin content in the fibrin layer is advantageously of 0.5 to 15%, preferably of 1 to 10%, of the fibrin and fibronectin weight in the  
30 cross-linked layer. This content corresponds to the weight of fibronectin bonds in the layer as compared to the weight of fibrin and fibronectin bonds of the layer.



According to a detail of an advantageous embodiment, the fibrin layer contains calcium, particularly calcium and chlorine, more precisely calcium chloride. The calcium content of the fibrin layer, expressed in  $\mu\text{g}$  of calcium by volume unit of the fibrin layer ( $\text{cm}^3$ ) is advantageously of 1 to  $100 \mu\text{g}/\text{cm}^3$ , preferably of 5 to  $90 \mu\text{g}/\text{cm}^3$ , particularly of 10 to  $50 \mu\text{g}/\text{cm}^3$ . The chlorine content in the fibrin layer is advantageously of 1.5 to  $200 \mu\text{g}/\text{cm}^3$ , preferably of 8 to  $170 \mu\text{g}/\text{cm}^3$ , particularly of 16 to  $100 \mu\text{g}/\text{cm}^3$ . When calcium is in the form of calcium chloride, the calcium chloride content in the fibrin layer (expressed in  $\mu\text{g}$  of calcium chloride by volume unit ( $\text{cm}^3$ ) of the fibrin layer) is advantageously of 2.5 to  $300 \mu\text{g}/\text{cm}^3$ , preferably of 13 to  $260 \mu\text{g}/\text{cm}^3$ , particularly of 26 to  $150 \mu\text{g}/\text{cm}^3$ .

Advantageously, the fibrin layer substantially contains no further salts of alkali or alkaline-earth metals in addition to calcium chloride.

Preferably, the content of salts of alkali or alkaline-earth metals differing from the calcium chloride is at least 10 times, preferably 20 times, particularly 50 times smaller than the content of calcium chloride in the fibrin layer.

Although the support may be a porous support whatsoever, the element support is preferably a biocompatible and/or biodegradable support.

According to a particular detail of one embodiment of the element in accordance with the invention, the element has two or more superposed fibrin layers. Advantageously, the layers have alveoli with different average volumes. Particularly, the fibrin layer which covers the fibrin layer in contact with the porous support has alveoli with a smaller average volume as

compared with the average volume of the alveoli of the fibrin layer in contact with the porous support. For example, the average volume of alveoli in the fibrin layer which covers the fibrin layer in contact with the support is of less than about 0.5 times the average volume of alveoli in the fibrin layer in contact with the support. According to one embodiment, the fibrin layer covering the fibrin layer in contact with the support partially penetrates said fibrin layer in contact with the support. The penetration of the fibrin layer with small alveoli in the fibrin layer with large alveoli is advantageously such that the fibrin layer with small alveoli penetrates at least 50% of the thickness of the fibrin layer with large alveoli, but preferably less than the whole thickness.

The fibrin of the layer of the element of the invention, as well the fibrin present in the porous substrate is substantially not denatured, preferably not denatured.

The invention also relates to a process for preparing an element according to the invention.

This process provides that:

- at least one porous part of a first face of a porous support is brought into contact with an aqueous solution containing fibrin or fibrinogen, or with one or more fibrin-based or fibrinogen-containing compounds,

- the face of the porous part of the support opposite to said first face is homogeneously and uniformly submitted to a suction force to suck the solution, at least partly, through said porous part, thus ensuring the deposition of a layer based on fibrin or on fibrinogen-containing materials, homogeneously and uniformly with respect to said porous part, and the diffusion of at least the solution water through the porous part of the porous

support as well as the penetration of fibrin or fibrinogen-containing materials through the porous support. Such suction provides a fibrin layer which is substantially free of fibrinogen, particularly if the  
5 fibrin layer has been washed with water or with an aqueous solution. Advantageously, the suction of the solution through the porous material is carried out at least during the cross-linking of fibrin, and preferably at least during the reaction of the fibrinogen-containing material  
10 and the cross-linking of the fibrin. The fibrin present in the porous material is therefore advantageously cross-linked with the fibrin layer covering the said first face of the porous material.

The process according to the invention  
15 provides an element which complies therewith, as described hereinbefore.

Thanks to suction, the fibrin attached to the network is arranged to penetrate the porous support to a depth of at least  $2\mu\text{m}$ , both in the pores having an average  
20 diameter of 10 to  $20\mu\text{m}$  and in the pores having an average diameter of more than  $20\mu\text{m}$ .

Advantageously, the face of the support opposite to said first face, is submitted to a pressure of less than  $0.8 \cdot 10^5$  Pa, and a pressure difference is created  
25 between the two faces of the porous part of at least  $0.3 \cdot 10^5$  Pa. Preferably, the support face opposite to said first face is submitted to a pressure of less than  $0.5 \cdot 10^5$ , preferably less than or equal to  $0.4 \cdot 10^5$  Pa. According to a preferred embodiment, while providing an efficient  
30 passage of fibrin or fibrinogen across the thickness of the porous part of the support, the support face opposite to the first face is intermittently submitted to a first pressure, of less than  $0.8 \cdot 10^5$  Pa, preferably less than



0.4  $10^5$  Pa, said first pressure being at least 5% higher than the second pressure. Instead of varying the positive or negative pressure on the face opposite to said first face, it would be possible to slightly vary the pressure exerted on said first face.

Advantageously, the face of the porous support opposite to said first face is submitted to a pressure of less than  $0.8 \cdot 10^5$  Pa, and exposed to a temperature of 0 to  $100^\circ\text{C}$ , preferably to a temperature of 15 to  $60^\circ\text{C}$ , particularly to a temperature of 25 to  $40^\circ\text{C}$ .

According to a variant of the process according to the invention, the face of the porous support opposite to said first face is submitted to a solution selected so as to create a reverse osmosis, causing the diffusion of at least the solution water in contact with the first face through the porous part of the support. Such diffusion ensuring thereby a substantially uniform and regular passage of fibrin or fibrinogen at least partially through the thickness of the porous support.

For implementing the process according to the invention, a solution is advantageously used which contains 5 to 20 mg/ml of fibrinogen-containing materials, particularly a solution which contains 5 to 20 mg/ml of fibrinogen-containing materials and 0.01 to 10 units of thrombin per ml, preferably a solution which contains 5 to 20 mg/ml of fibrinogen-containing materials, factor XIII, and 0.01 to 2, preferably 0.05 to 1 units of thrombin per ml. According to an advantageous embodiment, the solution contains less than 0.5 units of thrombin per ml.

Advantages have also been noted with a solution containing 0.1 to 10 units of factor XIII per ml. Advantageous results have also been obtained from a solution containing 1 to 40 millimoles of  $\text{CaCl}_2/\text{ml}$ ,

particularly 1 to 20 millimoles of  $\text{CaCl}_2/\text{ml}$  to reduce or slow down fibrinolysis. Hence, for example, for a fibrin layer prepared with 20 millimoles of  $\text{CaCl}_2/\text{ml}$ , no fibrinolysis was visually detected one week after the  
5 fibrin layer had been prepared.

It will be noted that smaller quantities of thrombin used in the formation of the fibrin network correspond to larger amounts of fibrinogen which can penetrate the porous support. In spite of this, the  
10 process according to the invention provides a fibrin layer substantially free of fibrinogen, particularly at the face of the support which is in contact with the fibrin layer.

According to a characteristic of a process according to the invention, during a first step, at least  
15 one portion of a first face of a porous support is placed into contact with a solution containing fibrin and/or fibrinogen-containing materials, while the face of the porous support opposite to said first face is homogeneously and uniformly submitted to a suction force,  
20 thus ensuring a diffusion of at least the solution water across the thickness of the porous support and a penetration of fibrin or fibrinogen-containing materials in the porous support to a depth of at least  $2\mu\text{m}$ , homogeneously and uniformly with respect to said porous  
25 part of the first face and, during a second step, the fibrin and/or fibrinogen layer is stabilized.

In accordance with a possible embodiment, a contact is provided between said part of the first face and a moving aqueous solution.

30 Advantageously, the solution containing fibrin or materials containing fibrinogen also contains a polar organic additive. The use of such polar organic additive has proved to allow the control of fiber



thickness in the fibrin network. Moreover, the presence of such organic additive has also provided advantages in the protection of the fibrin-based layer during the drying step, which may be possibly provided after a washing step.

5 The drying operation is advantageously effected at least partially by lyophilization, advantageously at a temperature of  $-30^{\circ}\text{C}$  and  $-100^{\circ}\text{C}$ , preferably at a temperature of  $-40^{\circ}\text{C}$  to  $-70^{\circ}\text{C}$ . For example, the drying operation is performed in several steps, i.e. a first  
10 drying step for raising temperature (for example at a temperature of  $30$  to  $70^{\circ}\text{C}$ ) or for creating a vacuum after removal of the fibrin or fibrinogen-containing material solution in contact with the porous part of the support, and a second drying step for lyophilization.

15 Drying operations are advantageously performed after one or more washing steps, by means of water, an aqueous solution, e.g. an aqueous solution containing a polar organic additive (e.g. in the order of 1 to 20% by weight, particularly in the order of 5 to 10%  
20 by weight), such as glycerin. A particular washing operation consists in bringing the fibrin layer integral with the porous support in contact with an aqueous solution, particularly a solution containing glycerol (e.g. 1 to 20% by weight, particularly 5 to 10% by weight)  
25 and thereafter in submitting the other face of the support to a suction force, to suck the solution through the porous support. Such washing operation provides a fibrinogen-free porous support. This operation may be performed on supports provided with a fibrin layer which  
30 are not compliant with the invention, thereby allowing to turn a product obtained by a simple contact of the porous support with the fibrinogen-containing solution into an element according to the invention.



The solution of fibrin or of fibrinogen-containing materials used in the process for forming the fibrin layer according to the invention preferably contains 0 to 20%, particularly 3 to 15%, and more particularly 5 to 10% of said polar organic additive. This additive may advantageously be glycerol, a sugar (mannitol, sorbitol, sucrose, glucose, etc.). When using a solution which contains fibrinogen-containing materials in the order of 5 to 20 mg/ml, thrombin in the order of 0.01 to 10 units/ml and 5 to 10% of glycerol in the process according to the invention, a network of fibrin fibers was obtained, wherein the size of the alveoli is similar to that in the network obtained with a solution which contains fibrinogen-containing materials in the order of 5 to 20 mg/ml, thrombin in the order of 0.01 to 10 units/ml (without glycerol) in the process according to the invention. Nevertheless, the fiber size in the network obtained by using glycerol was smaller, whereby a better use of fibrin or fibrinogen-containing materials in the solution resulted when using glycerol.

The pH of the solution of fibrin or of fibrinogen-containing materials is advantageously of 5 to 8.5, preferably of 5.5 to 8, particularly of 6 to 7.5. The pH of the solution may be controlled by means of a buffer solution (e.g. a tris buffer), by adding a strong (HCl) or weak acid, of mineral or organic origin (citric acid, etc.).

The solution also advantageously contains at least a water-soluble protein, particularly albumin.

According to one particular embodiment, at least for a part of the deposit of the fibrin- or fibrinogen compounds-based layer, the concentration of fibrin or fibrinogen compounds in the solution in contact

with the first face is controlled in order to ensure a substantially constant water diffusion through the support.

In the process according to the invention, a  
5 biocompatible or biodegradable porous support is used.

According to a particular embodiment, wherefrom advantages are obtained to ensure from the start a substantially uniform water diffusion through the thickness of the porous support, the porous part is  
10 treated with an aqueous solution which advantageously contains a wetting agent and/or a water-soluble protein and/or a polar organic additive, before bringing the fibrin- or fibrinogen-containing solution in contact with said porous part.

15 According to the invention, the porous support may be also treated, successively, with a solution which contains fibrin or fibrinogen-containing materials to deposit several fibrin layers. According to the invention, the porous support may be treated with a  
20 solution which contains fibrin or fibrinogen-containing materials but does not contain thrombin, and then the pretreated support may be treated with a solution containing thrombin.

The invention also relates to a filter  
25 including a filtering membrane consisting of an element according to the invention, to a bioreactor including a membrane consisting of an element according to the invention, an implant consisting of an element according to the invention, and an artificial skin produced from an  
30 element according to the invention.

Since glycerol has been found to be useful for controlling the size of alveoli, for a better use of fibrin (thinner fibers) and for ensuring a better

viability of the cells attached to the fibrin network, another object of the invention is a compound based on fibrin or on fibrinogen-containing materials, said compound having the form of a dry foam or of particles of  
5 dry foam, containing 0.05 to 10% by weight of a water-soluble or miscible polar organic additive, said foam having a porosity consisting of at least 50% by volume of chambers or volume cavities of 5 to 25  $\mu\text{m}^2$ . Advantageously, at least 90% by weight of fibrin is in  
10 cross-linked form. Possibly, the compound also contains one or more proteins and/or one or more active substances. Amongst polar additives, glycerin is preferred, but other additives may be also used, such as sugars, sucrose, glucose, mannitol, etc. The water content is  
15 advantageously lower than 0.5% by weight. In fact the foam or cross-linked fibrin network is at least partially covered by a water-soluble or miscible polar organic additive.

The preparation of this compound may be  
20 effected in a process wherein, possibly after a pre-drying step, an aqueous solution of fibrin and/or fibrinogen, also containing a water-soluble or miscible polar organic additive, is dried by lyophilization, the organic solvent content of said solution being of 0.05 to 10% by weight,  
25 so as to obtain a compound containing less than 0.5% thereof by weight. Advantageously, the drying operation by lyophilization is effected at a temperature of -40 to -100°C, preferably of -50°C to -75°C. Particularly, lyophilization is performed in three steps, each step  
30 involving a temperature decrease of the compound or solution to a temperature of -40 to -100°C, followed by a pressure decrease to less than 0.4 bar ( $0.4 \cdot 10^5$  Pa). For example, in a first step, pressure is lowered to a



pressure of 0.2 to 0.4  $10^5$  Pa, and in the last step, pressure is decreased to less than 0.2  $10^5$  Pa.

The invention also relates to a process allowing to extract the unbound fibrinogen from the fibrin layer, and particularly the fibrinogen which is found in the porous support, in such a way as to obtain a fibrinogen-free fibrin layer, and particularly a porous support and a fibrin layer both free of fibrinogen. This process provides that:

10 - at least one part of the fibrin layer attached on a first face of the porous support is brought to contact with an aqueous solution advantageously containing a polar organic additive, and

15 - the face of the porous support opposite to said first face is homogeneously and uniformly submitted to a suction force to suck the solution, at least partly, through said porous part, thus ensuring the removal of fibrinogen in the proximity of said first face of the support, homogeneously and uniformly with respect to said porous part. Thanks to this suction, at least the solution water is diffused through the thickness of the porous part of the porous support. If this process is applied for a sufficient time, the amount of water diffused through the thickness of the porous part can be sufficient to remove or extract the fibrinogen in the pores of the porous support. Therefore, this suction provides a substantially fibrinogen-free fibrin layer, or even a porous support and a fibrin layer free of fibrinogen.

25 This washing process, when using an aqueous solution which contains one or more additives, e.g. one or more soluble proteins, one or more drugs, etc, allows the introduction in the porous support of a certain amount of said additive/s, or the covering of the face of the

support which is not in contact with the fibrin layer with said additive/s.

Thanks to the solution suction, water is allowed to penetrate the porous support, so that, for example, at a depth of at least 2  $\mu\text{m}$  from the first face (face bearing the fibrin layer), advantageously of at least 10  $\mu\text{m}$ , preferably of at least 20  $\mu\text{m}$ , at least the pores having an average diameter of 10 to 20  $\mu\text{m}$  are free of fibrinogen.

Advantageously, the face of the porous support opposite to said first face is submitted to a pressure of less than  $0.8 \cdot 10^5$  Pa, and a pressure difference of at least  $0.3 \cdot 10^5$  Pa is created between the two faces of the porous part. Preferably, the face of the porous support opposite to said first face is submitted to a pressure of less than  $0.5 \cdot 10^5$  Pa, more preferably less than or equal to  $0.4 \cdot 10^5$  Pa. According to a preferred embodiment, while providing an efficient passage of water across the thickness of the porous part of the support, the face of the porous support opposite to the first face is intermittently submitted to a first pressure of less than  $0.8 \cdot 10^5$  Pa, preferably less than about  $0.4 \cdot 10^5$  Pa, and to a second pressure of less than  $0.8 \cdot 10^5$  Pa, preferably less than  $0.4 \cdot 10^5$  Pa, the first pressure being at least 5% higher than the second pressure. Instead of varying the positive or negative pressure on the face opposite to said first face, it would be possible to slightly vary the pressure exerted on said first face.

Advantageously, the face of the porous support opposite to said first face is submitted to a pressure of less than  $0.8 \cdot 10^5$  Pa, and to a temperature of 0 to  $100^\circ\text{C}$ , preferably to a temperature of 15 to  $60^\circ\text{C}$ , particularly to a temperature of 25 to  $40^\circ\text{C}$ .



According to a variant of the process according to the invention, the face of the porous support opposite to said first face is submitted to a solution selected so as to create a reverse osmosis, causing the  
5 diffusion of at least the solution water in contact with the first face through the porous part of the support. Such diffusion ensuring thereby a substantially uniform and regular passage of water at least partially through the thickness of the porous support.

10 A further object of the invention is a process for preparing porous supports covered by a layer made of a bioabsorbable material or of an absorbable polymer, particularly of a polylactic polymer and/or of polyglycol polymers and/or of biopolymers, as well as  
15 structural proteins and polysaccharides, said structural proteins being selected in the group including collagen, elastin, fibronectin, laminin and fibrin, and other proteins forming human or animal tissues, as well as recombinant proteins. This process provides that an  
20 aqueous solution or suspension is prepared, which contains one or more polymers and/or biopolymers and/or materials to form said polymers and/or biopolymers on site. This solution or suspension is brought to contact with a first face of a porous support, while sucking at least a part of  
25 the water of said solution or suspension from at least one different face of the porous support (advantageously the face opposite to the first face). This suction force causes water and advantageously absorbable biopolymers or polymers to be diffused in the porous support. In order to  
30 ensure such diffusion, the face of the porous support opposite to said first face (face in contact with the solution or suspension) is submitted to a pressure of less than  $0.8 \cdot 10^5$  Pa, while a pressure difference is created



between the two faces of the porous part of at least  $0.3 \times 10^5$  Pa. Preferably, the support face opposite to said first face is submitted to a pressure of less than  $0.5 \times 10^5$  Pa, preferably less than or equal to  $0.4 \times 10^5$  Pa. According to a preferred embodiment, providing an efficient passage of water through the thickness of the porous part of the support, the face of the support opposite to the first face is intermittently submitted to a first pressure, of less than  $0.8 \times 10^5$  Pa, preferably less than  $0.4 \times 10^5$  Pa, and to a second pressure, of less than  $0.8 \times 10^5$  Pa, preferably less than  $0.4 \times 10^5$  Pa, the first pressure being at least 5% higher than the second pressure. Instead of varying the positive or negative pressure on the face opposite to said first face, it would be possible to slightly vary the pressure exerted on said first face. Said face opposite to the face in contact with the polymer solution or suspension might also be submitted to the influence of a solution selected so as to create a reverse osmosis, causing the diffusion of at least the solution water in contact with the first face through the porous part of the support. Such diffusion ensuring thereby a substantially uniform and regular passage of water at least partially through the thickness of the porous support. The solution diffusing through the porous support advantageously is at a temperature of 20 to 70°C, particularly of 30 to 50°C. Once the layer of absorbable polymers or biopolymers is formed, this layer is advantageously dried by lyophilization. Lyophilization is advantageously effected as described with respect the fibrin layer. If drying operations are performed by lyophilization, the solution used to form the layer advantageously contains a polar additive, particularly glycerol, for example in the order of 1 to 15%, particularly of 5 to 10%.

Further characteristics and details will be apparent from the following detailed description of certain embodiments, wherein reference is made to the annexed drawings. In these drawings,

- Figure 1 is a diagrammatic view of an element according to the invention;

- Figure 2 is a diagrammatic view of an installation for preparing an element according to the invention;

- Figures 3, 4 and 5 are cross-sectional views of a slice of fibrin networks, as taken with an electron microscope (Philips XL20 Scanning Electron Microscope), with a magnification of 5,000 times, before lyophilization, whereas figures 6, 7 and 8 are cross-sectional views of a slice of fibrin networks, as taken with an electron microscope, with a magnification of 5,000 times, after lyophilization;

- Figures 9, 10 and 11 are cross-sectional views of the networks obtained by means of a solution containing 1 IU/ml, 10 IU/ml and 20 IU/ml of thrombin respectively, as seen in cross section;

- Figures 12 to 14 are cross-sectional views of networks obtained by means of a solution containing no  $\text{CaCl}_2$  (figure 12), 2.7 mM  $\text{CaCl}_2$ /ml (figure 13) and 27 mM  $\text{CaCl}_2$ /ml (figure 14), as taken with an electron microscope (Philips XL20), with a magnification of 5,000 times;

- Figures 15, 16, 17 and 18 are top views of the fibrin networks with cells after two hours of culture, as taken with an electron microscope (Philips XL20 Scanning Electron Microscope), with a magnification of 500 times;

- Figures 19 to 21 are cross sectional views of a porous support 2 of Figure 1, bearing a fibrin layer 4, with cells as taken with an electron microscope, with a magnification of 10 times, 100 times and 1000 times respectively;

- Figure 22 is an electrophoresis diagram of markers having a low molecular weight (1, 6), of control fibrinogen (5), of control fibrin (4), of the polymer layer from the exudate (the part passing through the porous membrane) after incubation, and of the floating part of the exudate after incubation.

Figure 1 diagrammatically shows a sectional, larger-scale view of one part of an element according to the invention.

The element 1 comprises (a) a hydrophobic or substantially hydrophobic support 2, for example PTFE (expanded and stretched in both axial directions), which has a porous part with a thickness E of 0.1 to 5mm, e.g. of 300 to 500 $\mu$ m, and whose pores, extending across its thickness have an average diameter "d" (porous volume/surface of pores) of 5 to 100 $\mu$ m, e.g. of about 30 to 40 $\mu$ m, one face 3 of said porous part of said support 2 being treated with a fibrin and/or fibrinogen-based compound, and (b) a fibrin-based layer 4 covering said treated surface 3 of the support 2.

Said fibrin-based layer 4 is substantially uniform and homogeneous on said treated face 3. After being washed, the fibrin layer 4 contains no fibrinogen. For example, the content of fibrinogen in the layer 4 (fibrinogen unbound from the fibrin layer) is below 0.5% by weight; preferably below 0.1% by weight of the fibrin layer.

Some fibrinogen F may extend across the thickness E of the treated porous part of the support, from said treated face to a depth "e" of at least 10 $\mu$ m



both in the pores having an average diameter of 10 to 20  $\mu\text{m}$  (pores whose volume, expressed in  $\mu\text{m}^3$ , divided by the surface of the pore walls, expressed in  $\mu\text{m}^2$ , gives 10 to 20  $\mu\text{m}$ ) and in the pores having an average diameter of more than 20  $\mu\text{m}$ . Particularly, in all the pores of more than 25  $\mu\text{m}$  of the treated face of the porous part, some fibrinogen extends across the thickness E of the support to a depth "e" of at least 30  $\mu\text{m}$ . Nevertheless, at the face 3, the support is substantially free of fibrinogen unbound from the network. The lack of fibrinogen unbound from the fibrin network is due to the passage of water through the porous support. In one particular embodiment, the porous support is free of fibrinogen to a depth of at least 10  $\mu\text{m}$ , from the face bearing the fibrin layer. According to a particularly advantageous embodiment, the support is free of fibrinogen throughout its thickness.

The fibrin layer 4, as shown in figure 1, is stabilized by cross-linkage due to the presence of factor XIII. Hence, said layer 4 forms a network of adjacent alveoli 40.

The thickness "h" of the fibrin layer as determined from the face 3 (in its dehydrated form) is, for example, of about 10  $\mu\text{m}$ , while the average volume of a chamber or cell is of the order of 10  $\mu\text{m}^3$ . The alveoli are open and have apertures therebetween. The term alveoli defines fibrin-free areas having a volume of more than 5  $\mu\text{m}^3$ , surrounded by fibrin bonds. The distribution of alveoli over the layer 4 is substantially regular, that is the volume of the alveoli over an area of 1  $\text{cm}^2$  of the face 3 covered by the layer 4 is of 0.8 to 1.2 times (preferably of 0.9 to 1.1 times) the average volume of chambers by unit of surface ( $\text{cm}^2$ ) of that area. The average height of the chambers, as measured

perpendicularly to the face 3 is, for example, of 2 to 3  $\mu\text{m}$ .

The element as shown in figure 1 is advantageously in a dry state. The moisture content is, for example, of less than 0.01% by weight, which ensures an excellent preservation and stability of the element. When the element is rehydrated, the fibrin layer inflates, for example, by a factor of more than 1.5, particularly by a factor of 1.6 to 2.5 (the thickness of the fibrin layer after rehydration corresponds to 1.6 to 2.5 times the thickness of the dry fibrin layer).

According to a particular embodiment, the pores P have inner faces at least partially covered by a water-soluble or substantially water-soluble protein and/or the face 6 of the support, opposite to the treated face is at least partially covered by a water-soluble or substantially water-soluble protein. Such covering is advantageous to assist, for example, cell fixation, the adhesion of the tissues surrounding the face opposite to the face treated with fibrin or with fibrinogen-containing materials.

According to an advantageous characteristic of one embodiment, the pores P (inner walls) of the porous part of the support are at least partially covered by a water-soluble or miscible polar organic additive or by traces of such additive. This polar organic additive is advantageously also present at least in part on the fibrin layers of the layer 4 and on the faces 3 and 6 of the support. This additive may be, for example, glycerol, a sugar, etc. or a mixture of these additives. Said additives are particularly soluble or at least miscible in water and are particularly selected amongst water-soluble additives allowing the freezing

temperature to be lowered with respect to water freezing temperature at atmospheric pressure. The amount of soluble or miscible additive in the fibrin, fibrinogen and/or thrombin solution or in the wet cross-linked fibrin layer  
5 (not dried, the water content in the pores is in the order of 50%) is preferably sufficient to lower the freezing temperature at atmospheric pressure of less than  $-5^{\circ}\text{C}$ , preferably of less than  $-10^{\circ}\text{C}$ .

Although the support of the illustrated  
10 embodiment is a biocompatible porous support of PTFE, another biocompatible support can be used, particularly a biodegradable support, or a biocompatible and biodegradable support.

A few examples of processes for preparing  
15 an element according to the invention will be described hereafter.

For the preparation of one or more elements according to the invention, a vacuum chamber 10, connected to a vacuum pump 11 has been used to create a  
20 vacuum or a negative pressure in the chamber with respect to atmospheric pressure. This chamber is shown diagrammatically in figure 2.

The chamber has an intake for letting the solution/s into the inner space or hollow of a tube having  
25 an inside diameter of 1 to 100 mm, more particularly of 2 to 10 mm. The tube 13 has porous cylindrical parts 13A (average diameter of pores of 20 to 30  $\mu\text{m}$ ) separated by a non-porous ring 13B. The tube thickness was of about 200 to 300  $\mu\text{m}$  for the porous parts. The intake 12 includes  
30 the means of fastening an end 13C of the tube thereto in a fluid-tight manner. The intake 12 is connected by means of a duct 15 to a tank 14 which contains an aqueous solution of a fibrinogen-containing material (with a concentration



of 10 to 40 mg/ml), including 0.2 to 20 units of factor XIII per ml (IU/ml) and 100 to 1000  $\mu$ g/ml of fibronectin, by means of a duct 16 to a tank 17 which contains an aqueous solution of thrombin (with a concentration of 0.05 to 2 IU/ml) and by means of a duct 18 to a tank 19 which contains water and possibly one or more additives. The ducts 15, 16 and 18 are fitted with valves V to allow or prevent the passage of a fluid. Said ducts lead one or more fluids towards the intake, depending on atmospheric pressure. A control system 20 controls the vacuum pump operation depending on the desired vacuum and on the vacuum measured inside the chamber.

The tube end opposite to the one fastened to the intake is closed by a plug 21, advantageously extended by a duct 22 with a valve 23, to allow the evacuation of fluids or solutions contained in the tube.

The chamber is also provided with a means 24 to adjust the chamber temperature in the range of +60°C to -100°C.

#### 20 Example 1

In this example, a solution A, containing 20 mg/ml of a fibrinogen-containing material, 1000  $\mu$ g of fibronectin per ml and 2IU/ml of factor XIII, and a solution B, containing 0.2IU of thrombin per ml, and 40 mM (millimoles) of calcium chloride per ml, were used.

The solution A and the solution B were fed into the intake at the same flow rate to obtain a 1:1 mixture of both solutions A and B. The mixture obtained thereby contained 10 mg/ml of fibrinogen, 500  $\mu$ g/ml of fibronectin, 1 IU/ml of factor XIII, 0.1 IU/ml of thrombin and 20 mM/ml of CaCl<sub>2</sub>.

The hollow or inner space of the tube was filled with the mixture of solutions A and B, and the

chamber pressure was lowered to  $0.4 \cdot 10^5$  Pa (that is a negative pressure of about 600 millibar with respect to atmospheric pressure). This vacuum creation causes water to be sucked in through the thickness of the porous parts of the tube. Since the vacuum is created on the outer surface of the tube, the latter is slightly stretched or tightened, which assists the diffusion of liquid through the pores of the tube.

While creating and maintaining vacuum, the outer wall of the tube was found to be wet.

After maintaining the vacuum for about 1 to 30 minutes, the chamber pressure was progressively reset to atmospheric pressure. Once the tube was emptied and washed with water, the inner face of the tube was found to be covered by a cross-linked fibrin layer about  $5 \mu\text{m}$  thick, with chambers or open cells of  $15\text{-}20 \mu\text{m}^3$  on the porous parts of the tube (cell height of 2 to  $3 \mu\text{m}$ , area of 5 to  $7 \mu\text{m}^2$ , as measured parallel to the face of the support bearing the layer). No fibrinogen unbound from the fibrin layer was found in the fibrin layer, nor on the support interface with the fibrin layer. Fibrinogen was found in the pores of the support to a depth (from the inner surface of the tube) of at least about  $20 \mu\text{m}$  for all pores having an average diameter of more than  $10 \mu\text{m}$ .

The passage of fibrinogen through the porous support is confirmed by the electrophoresis diagram of figure 22. In fact, some liquid from the face opposite to the one in contact with the fibrinogen solution was collected. After incubating this liquid, electrophoresis peaks were determined both for the polymer layer formed (2) and for the supernatant (3). The result was that, after incubation, the electrophoresis (2) showed fibrin-

typical peaks, which proves that fibrinogen had passed through the porous support.

This tube was subsequently dried by a gas heated to 50°C.

5 **Example 2**

Example 1 was repeated, except that the washing step was effected by letting demineralized water flow inside the tube to evacuate the fibrinogen solution, while maintaining a pressure of about  $0.4 \cdot 10^5$  Pa in the chamber to ensure a diffusion of washing water through the porous support. This diffusion allows fibrinogen to be removed from the porous support.

**Example 3**

Example 1 was repeated, except that the tube was dried by lowering the tube temperature to -60°C to turn water into ice and by lyophilizing it at this temperature.

**Example 4**

Example 3 was repeated, except that glycerol was added in the order of 5% by weight of the mixture consisting of 50% of the solution A and 50% of the solution B. It was noted that the presence of glycerol both in the porous support and in the fibrin layer provided a certain flexibility of the element. Further, the lyophilization step was easier.

The presence of glycerol upon formation of the cross-linked fibrin proved to be advantageous for providing a regular and homogeneous structure of the fibrin layer. Moreover, the presence of glycerol assisted the passage of fibrin and fibrinogen in the pores of the porous part of the tube.



**Example 5**

Example 4 was repeated, except that glycerol was added in the order of 10% by weight of the mixture consisting of 50% of solution A and 50% of solution B. It  
5 was noted that the presence of glycerol both in the porous support and in the fibrin layer provided a certain flexibility of the element. Further, the lyophilization step was easier.

Some parts of the fibrin networks from  
10 examples 2 and 4, before and after lyophilization were left for one night in dishes containing a solution of 2 to 2.5% of glutaraldehyde in dishes. Thereafter, a slice of the network fixed by glutaraldehyde was cut transversely by means of a heated scalpel, which slice was dehydrated  
15 by 40%, 50%, 70%, 80%, 90% and 100% ethanol solutions.

Figures 3, 4 and 5 are cross-sectional views of slices of fibrin networks from examples 2, 3 and 4 respectively, as taken with an electron microscope (Philips XL20 Scanning Electron Microscope), with a  
-20 magnification of 5,000 times, before lyophilization, whereas figures 6, 7 and 8 are cross-sectional views of slices of fibrin networks from examples 2, 3 and 4 respectively, as taken with an electron microscope, with a magnification of 5,000 times, after lyophilization. By  
25 comparing these figures, the result is that the alveoli of the fibrin network from examples 2, 3 and 4 before lyophilization are similar, that the alveoli of the fibrin network from examples 2, 3 and 4 after lyophilization are similar, and that the use of glycerol allows the size of  
30 the network fibers to be reduced. Hence, glycerol, besides being useful to protect fibers during the lyophilization step, is an agent allowing control of the size or the diameter of the fibers of the fibrin network.

**Example 6**

Example 4 was repeated, except that glycerol was replaced first by glucose and then by mannitol.

**Example 7**

5 Example 1 was repeated, except for the use of a solution containing fibrinogen in the order of 10 mg/ml and thrombin in the order of 1IU/ml, 10IU/ml and 20 IU/ml respectively.

10 The networks obtained thereby were treated with a solution containing 2 to 2.5% of glutaraldehyde and with ethanol-containing solutions as described in example 4. Some slices of the networks so obtained were examined with an electron microscope (scanning electron microscope, Philips XL20). Figures 9, 10, and 11 are cross sectional  
15 views of the networks obtained with a solution containing 1 IU/ml, 10 IU/ml and 20 IU/ml of thrombin respectively, with a magnification of 3,500 times.

20 These figures 9 to 11 show that a higher concentration of thrombin in the solution produces a greater number of fibers, but a smaller size thereof.

**Example 8**

25 Example 1 was repeated, except that thrombin and fibrinogen solutions were prepared, which had a CaCl<sub>2</sub> concentration of 0mM/ml, 2.7mM/ml and 27 mM/ml. After treating and washing the networks as described in example 4, the cross section of the networks obtained with a solution containing 0mM/ml (figure 12), 2.7mM/ml (figure 13) and 27 mM/ml (figure 14) was examined with an electron  
30 microscope (Philips XL20), with a magnification of 5,000 times. These figures show that a higher calcium content corresponds to a greater number of fibers, a larger size thereof, and a smaller volume of the alveoli.

**Example 9**

Example 4 was repeated, except for the use of a solution containing 5% of glycerol, 20 mg/ml of fibrinogen, 500  $\mu$ g of fibronectin per ml, 10 IU/ml of factor XIII, 1 IU of thrombin per ml and 40 mM (millimoles) of calcium per ml.

**Example 10**

Example 4 was repeated, except that the chamber vacuum was controlled to cause its intermittent variation from 600 mbar with respect to atmospheric pressure (a pressure of about  $0.4 \cdot 10^5$  Pa) to 630 mbar with respect to atmospheric pressure (a pressure of about  $0.38 \cdot 10^5$  Pa). This vacuum variation was found to be advantageous for fibrin and fibrinogen diffusion in the pores of the support. After washing with water, bringing the fibrin layer in contact with a water flow and creating a vacuum in the chamber varying from 600 mbar with respect to atmospheric pressure (a pressure of about  $0.4 \cdot 10^5$  Pa) to 630 mbar with respect to atmospheric pressure (a pressure of about  $0.38 \cdot 10^5$  Pa), the support and the fibrin layer contained no more free fibrinogen.

The tube may be easily sterilized, if needed, before or after lyophilization, at a temperature of  $121^\circ\text{C}$  for 60 minutes, for example in an autoclave. Any other sterilization method may be used, provided that it does not destroy the alveoli structure of the cross-linked fibrin layer, nor the support structure.

**Example 11**

Example 3 was repeated, except that the fibrinogen concentration was controlled in the tube, during the diffusion step, so as to ensure a substantially constant fibrinogen concentration in the tube. In order to do this, valve 23 was intermittently opened to evacuate a



certain amount of solution out of the tube and a solution containing little or no fibrinogen was fed into the tube. This ensures that the fibrin layer is substantially regular and homogeneous in thickness.

5 **Example 12**

Example 11 was repeated, except that the fibrinogen concentration was controlled substantially continuously, to decrease this concentration as fibrin is deposited on the inner wall of the tube.

10 **Example 13**

Example 3 was repeated, except that, before treating the tubes with the fibrinogen solution, demineralized water, an aqueous solution containing 1 mg/ml of albumin, an aqueous solution containing 10 mg/ml of albumin, an aqueous solution containing 30 mg/ml of albumin, were respectively fed into the tubes, so as to fill or saturate the pores with said solution, before treating the tubes with the fibrinogen solution.

**Example 14**

20 Example 3 was repeated, except that the proteins contained in the solution were 30 mg/ml of albumin and 10 mg/ml of fibronectin. Other proteins, such as vibronectin, etc. could be used, individually or in mixture, instead of albumin and/or fibronectin.

25

As set out in W096/07444, the fibrin layer can be treated either to denature it or to provide it with particular properties.

30 The fibrin layer may be treated with water, with one or more salts (possibly in solution), with additives used to improve the biocompatibility of the support provided with the fibrin layer. The additives may be selected, for example, amongst proteins,

anticoagulants, anti-inflammatory compounds, compounds reducing graft rejection, living cells, cell growth inhibitors, agents stimulating endothelial cells, antibiotics, antineoplastics, genetic materials, proteins promoting or stimulating the growth and/or attachment of endothelial cells on the cross-linked fibrin layer, growth factors, growth factors for heparin bond, substances against cholesterol (ZOCOR®), etc. Some particular examples of additives are given in U.S. Patent No. 5,660,873.

The fibrin layer may be partially hydrolyzed, if needed, for example by means of a plasmin.

**Example 15**

Example 1 was repeated, except that, during a first step, solution A was fed into the tube to obtain, by creating vacuum in the chamber, a non-cross-linked fibrin or fibrinogen layer, and that, during a second step, solution B (thrombin) was fed into the tube to form fibrin monomers and to obtain a cross-linked structure.

**Example 16**

Example 4 was repeated, except that lyophilization was effected in several steps, i.e. by lowering temperature to  $-58^{\circ}\text{C}$ , by maintaining this temperature of  $-58^{\circ}\text{C}$ , by creating a vacuum (the lyophilization device had been adjusted with a pressure set-point of 7 Pa, so that the vacuum pump could operate continuously) for 1 to 5 hours, by raising temperature from  $-58^{\circ}\text{C}$  to  $-20^{\circ}\text{C}$  to  $-30^{\circ}\text{C}$ , while maintaining the vacuum, by maintaining the temperature of  $-20^{\circ}\text{C}$  to  $-30^{\circ}\text{C}$ , while maintaining the vacuum, for at least 10 hours (10 to 100 hours), by increasing the temperature to more than  $20^{\circ}\text{C}$ , while maintaining the vacuum.

**Example 17**

Example 1 was repeated, except that the porous tube was successively treated with solution A and with solution B.

5

The treatment steps of this example are:

a) feeding solution A (fibrinogen) into the tube;

b) creating a vacuum in the space outside the tube to suck solution A through the walls of the tube;

10

c) removing solution A still present in the tube;

d) incubating the fibrinogen layer deposited for 15 minutes at ambient temperature (steps a), b), c) and d) may be repeated once or several times, for example twice or three times before step e));

15

e) feeding solution B (thrombin) into the tube;

f) creating a vacuum in the space outside the tube to suck solution B through the walls of the tube;

20

g) removing solution B still present in the tube;

h) incubating the layer at 37°C for 30 minutes;

25

i) feeding solution A (fibrinogen) into the tube;

j) creating a vacuum in the space outside the tube to suck solution A through the walls of the tube;

k) removing solution A still present in the tube;

30

l) incubating the layer for 15 minutes at ambient temperature (steps i, j, k, and l may be repeated once or several times);



m) incubating the layer for 90 minutes at 37°C.

**Example 18**

Example 16 was repeated, except that the intermediate incubation steps d, h and l were skipped.

**Example 19**

Example 1 was repeated, except that the porous tube was successively treated with solution A and with solution B.

The treatment steps of this example are:

a) feeding solution A (fibrinogen) into the tube;

b) creating a vacuum in the space outside the tube to suck solution A through the walls of the tube;

c) removing solution A still present in the tube;

d) incubating the fibrinogen layer deposited for 15 minutes at ambient temperature;

e) feeding solution B (thrombin) into the tube;

f) creating a vacuum in the space outside the tube to suck solution B through the walls of the tube;

g) removing solution B still present in the tube;

h) incubating the layer at 37°C for 30 minutes;

i) washing the tube with water (preferably in successive washing operations);

j) steps a to i are repeated once or several times;

k) incubating the layer for 90 minutes at 37°C.

**Example 20**

Example 4 was repeated, except that the pH of the solution mixture was changed, upon its introduction, to 6, 6.5, 7, and 7.5 respectively, or except that the pH of the solution in the tube was controlled during the process to maintain it, for example, at 6.5 or 7 or 7.5.

**Example 21**

Example 1 was repeated, except that, instead of placing the porous tube in a vacuum chamber, the tube was placed in a container with a concentrated aqueous solution of salt (NaCl) in order to create, by reverse osmosis, a water and fibrin-fibrinogen diffusion through the wall of the tube towards said concentrated solution.

**Example 22**

The fibrinogen and thrombin compound of example 1 was injected by means of a syringe in a tube, to create a fibrin layer on the inner wall of the tube. This process causes fibrinogen to be present on the inner wall of the tube and in the fibrin layer in the proximity of said inner wall.

After removal of the fibrinogen solution and immersion of the tube in water (prewashing) the tube was placed in the vacuum chamber used in example 1. Then, demineralized water was fed into the tube, whereupon a vacuum was created in the chamber (pressure of  $0.3 \cdot 10^5$  Pa), so that water is sucked through the wall of the tube from the inner wall to the outer wall. This diffusion of water through the tube wall allows the unbound fibrinogen to be removed from the fibrin layer and outside the support, so that at least the part of the tube situated in the proximity of the inner wall of the tube is free of fibrinogen.

**Example 23**

Example 22 was repeated, except that an aqueous solution containing 5% of glycerol was used for the washing operation by diffusion of water through the tube wall.

**Example 24**

Example 22 was repeated, except that an aqueous solution containing 5% of glycerol and 1% of albumin was used for the washing operation by diffusion of water through the tube wall.

In the above examples, fibrin layers were prepared by using fibrinogen and thrombin from human blood. These could be replaced by products available on the market, such as biological glues by CRYOLIFE, e.g. the product FibRx™, or by VITEX (the product VlGuard™), or even recombinant fibrinogen.

The elements or membranes according to the invention, for example the membranes of examples 1 to 13 may be used in several applications, namely as membranes for bioreactors, for example as described in European Patent Publication No. 0822976, as membranes for filters, as implants such as artificial internal organs, as artificial veins, as artificial arteries, as antithrombotic materials, as cardiac valves, as artificial skins; the membrane may also be applied to the production of test kits or equipment, etc.

A number of tests was performed to determine the morphology of the cells attached to a lyophilized fibrin network prepared with no added glycerol (example 3), to a fibrin network prepared with a solution containing about 5% of glycerol (example 4) before and after lyophilization, and to a fibrin network prepared



with a solution containing about 10% of glycerol (example 6) with lyophilization.

In these tests, a culture medium was prepared, from Dulbecco Modified Eagle Medium (DMEM). The following components, in the weight % as specified hereafter, were added to this DMEM medium:

- 20% of HAM'S F 12 (culture medium)
- 10% of FCS (Foetal Calf serum)
- 1% of non essential amino acids (i.e. L-alanine, L-asparagine, L-aspartic acid, L-glutamic acid, Glycine, L-proline, L-serine)
- 1% of sodium pyruvate
- 1% of Penicillium streptomycin, and
- 1% of L-glutamine.

This medium will be hereafter termed "prepared DMEM medium".

The cells used in these tests were isolated as follows:

Just after the slaughter of cows, the bovine aorta was recovered. After separating the adipose tissues of the aortas, the collateral arteries were ligatured. The inner surface of the aortas was treated for 15 minutes at 37°C with a solution containing 250 IU/ml of collagenase. The cells released in this treatment were recovered and placed in a DMEM culture medium containing valine D, 10% of FCS, 100 IU/ml of penicillin, 100 µg/ml of streptomycin and 2.5 µg/ml of amphotericin B. The culture medium was renewed after 24 hours.

After two days, the culture medium was placed in a 70% DMEM culture medium, containing 20% of Ham's F 12, 10% of FCS. 100 IU/ml of penicillin, 100 µg/ml of streptomycin and 2.5 µg/ml of amphotericin B.

Once the cells reach confluence, they are recovered with the help of trypsin (1mg/ml) in the presence of EDTA (ethylenediaminetetraacetic acid).

Then, they are grown in the "prepared DMEM  
5 medium".

Before adding the cells in Petri dishes containing a support with a fibrin network, the cells were recovered from the DMEM medium prepared by incubation in a trypsin-EDTA medium (5 times as concentrated) for 5  
10 minutes at 37°C, then 10 ml of a culture medium containing 10% of FCS were added to stop the action of the enzyme. The number of cells in the medium was determined with the help of a microscope by counting the cells in a Bürker chamber after trypan blue marking. This method will be  
15 hereafter named microscope counting method. The resulting number of cells was 25,000 cells/ml for a first solution and 125,000 cells/ml for a second solution.

2 ml of the culture medium, containing 50,000 cells and 250,000 cells respectively were added separately  
20 in the different Petri dishes respectively containing a lyophilized fibrin network prepared with no added glycerol (Dish 1), a fibrin network prepared with a solution containing about 5% of glycerol (example 4) before lyophilization (Dish 2) and after lyophilization (Dish 3),  
25 and a fibrin network prepared with a solution containing about 10% of glycerol (example 5) with lyophilization (Dish 4).

The culture of cells in Petri dishes occurred at 37°C for 2 hours for a first batch of dishes (dishes  
30 containing 50,000 cells) and for 11 days for a second batch of dishes (dishes containing 250,000 cells). When the culture time - either 2 hours, or 11 days - expired, the fibrin networks in Petri dishes were fixed by means of

a 2.5% glutaraldehyde solution. Figures 15, 16, 17 and 18 are top views of the fibrin layer of the dishes 1, 2, 3, and 4 after 2 hours culture, as taken with an electron microscope (Philips XL20 Scanning Electron Microscope).

5 These figures show good cell attachment on fibrin networks in the different dishes, after two hours of culture. The cells are distributed on the upper surface with a regular and flat arrangement.

For the dishes in culture for 11 days at  
10 37°C, a visual examination of dishes was performed during the culture time. This examination showed that, after 8 days of culture, fibrinolysis of the network of dish 1 (fibrin network without glycerol) was visible, whereas no fibrinolysis was perceptible for the networks of dishes 2,  
15 3 and 4 after 8 days of culture.

After 11 days of culture, the number of viable cells was counted for dish 1 and for dishes 2 and 3. The number of viable cells was determined by means of an enzymatic kit, Boehringer Mannheim WST-1 (Catalogue no.  
20 1644807 - batch no. 14890800). The principle of this method is based on the cleavage of a tetrazolium salt, added to the medium, into formazan, by a mitochondrial enzyme (succinate-tetrazolium reductase). This reduction only takes place in viable cells. The formazan color  
25 produced by metabolically active cells is quantified by a scanning spectrophotometer (ELISA reader). This determination was made by replacing the culture medium of Petri dishes 1, 2 and 3 by 1 ml of a fresh medium containing 100 µl of the solution of the WST-1 enzymatic  
30 kit. After four hours of incubation at 37°C under an atmosphere containing 7% of CO<sub>2</sub>, 100 µl of the colored solution of each dish were collected for a spectrometer analysis. The difference between the absorbance peak at



450 nm and the absorbance at 655 nm was determined for each solution. The absorbance difference for dishes 2 and 3 was found to be much more important (40 to 50% higher) than for dish 1. The absorbance difference for dishes 1, 2  
5 and 3 was at least four times higher than that of a sample with no cells therein. This analysis proves that the cells in dishes 1, 2 and 3 are viable, and further that the presence of glycerol ensures better cellular viability.

**What is Claimed is:**

1. An element provided with a layer based on fibrin- or fibrinogen-containing material, the element comprising:
  - (a) a hydrophobic or substantially hydrophobic support,  
5 which has a porous part with a thickness of 0.1 to 5mm, and having pores, extending across its thickness having an average diameter of 5 to 40 $\mu$ m, one face of the porous part being treated with a compound based on fibrin and/or a fibrinogen-containing material; and
  - 10 (b) a fibrin-based layer covering the treated face of the support, wherein the fibrin-based layer and at least the face of the support in contact with the fibrin-based layer contains less than 0.5% by weight of fibrinogen.
2. An element as claimed in claim 1, wherein the fibrin-  
15 based layer and at least a support layer extending across a thickness of 10 $\mu$ m contains less than 0.1% by weight of fibrinogen which has not reacted, with respect to the weight of the fibrin-based layer.
3. An element as claimed in claim 1 or 2, wherein the fibrin  
20 extends across the thickness of the treated porous part of the support, from the treated face to a depth of at least 2 $\mu$ m, both through pores having an average diameter of 10 to 20 $\mu$ m and through pores having an average diameter of more than 20 $\mu$ m.
4. An element as claimed in any one of claims 1 to 3,  
25 wherein the porous part of the support has a substantially homogeneous and uniform porosity over the treated face, wherein a portion of fibrin extends homogeneously and uniformly across the thickness of the porous part of the support to a depth of at least 10 $\mu$ m.
- 30 5. An element as claimed in claim 2, wherein the porous part of the support further contains fibrinogen in a layer which is at a distance of more than 10 $\mu$ m from the face of the support in contact with the fibrin-based layer.
- 35 6. An element as claimed in claim 5, wherein fibrinogen extends across the thickness of the support to a depth of at least

20 $\mu$ m.

7. An element as claimed in any one of claims 1 to 6, wherein at least the face of the fibrin-based layer opposite to the one contacting the porous support is stabilized.
- 5 8. An element as claimed in claim 7, wherein the fibrin-based layer is at least partially cross-linked, to form a network of adjacent alveoli.
9. An element as claimed in any one of claims 1 to 8 wherein the fibrin-based layer is provided with cells and/or proteins.
- 10 10. An element as claimed in claim 9 wherein the fibrin-based layer is provided with proteins mediating cell-fibrin bonds.
11. An element as claimed in claims 8 or 9 wherein the cross-linked fibrin-based layer which covers the porous part of the support, when measured in the hydrated or post-hydration state is 0.5  
15 to 100 $\mu$ m thick, with alveoli being formed between the cross-linked fibrin-based molecules or bonds, or fibers, the alveoli having a volume of 5 to 25 $\mu$ m<sup>3</sup>, the average thickness or height of the alveoli being 1 to 5 $\mu$ m.
12. An element as claimed in claim 11 wherein the cross-  
20 linked fibrin-based layer, when measured in the hydrated or post-hydrated state is 2.5 to 50 $\mu$ m thick.
13. An element as claimed in claim 11 or 12 wherein the average thickness or height of the alveoli is 1 to 3 $\mu$ m.
14. An element as claimed in any one of claims 1 to 13  
25 wherein the pores of the support part, covered by the fibrin-based layer have inner faces at least partially covered by a water-soluble or substantially water-soluble protein.
15. An element as claimed in claim 14, wherein the support  
30 face opposite to the treated face is at least partially covered by a water-soluble or substantially water-soluble protein.
16. An element as claimed in any one of claims 1 to 15 wherein at least the pores of the porous part of the support are



covered by a water-soluble or miscible polar organic additive.

17. An element as claimed in claim 15 wherein a network of cross-linked fibrin fibers at least partially covered by and/or contains a water-soluble or miscible polar additive, the additive  
5 selected from the group comprising glycerol, sugars, and mixtures thereof.

18. An element as claimed in any one of claims 1 to 17 wherein the element has a moisture content of less than 0.5% by weight.

10 19. An element as claimed in any one of claims 1 to 17 wherein the element has a moisture content of less than 0.1% by weight.

20. An element as claimed in any one of claims 1 to 19 wherein fibronectin is attached to the fibrin-based layer, the  
15 fibronectin content, as compared to the fibrin and fibronectin weight in the layer is 0.5 to 15%.

21. An element as claimed in any one of claims 1 to 19 wherein the fibrin-based layer contains calcium in the order of 1 to 100 $\mu$ g, of calcium per cm<sup>3</sup>.

20 22. An element as claimed in any one of claims 1 to 19 wherein the fibrin-based layer contains calcium in the order of 1 to 50 $\mu$ g of calcium per cm<sup>3</sup>.

23. An element as claimed in claim 21 or 22, wherein the calcium takes the form of calcium chloride.

25 24. An element as claimed in any one of claims 1 to 23 wherein the support has two superposed fibrin layers, the layer in contact with the support having alveoli with larger volumes as compared with the alveoli of the layer which covers the fibrin layer in contact with the support.

30 25. An element as claimed in any one of claims 1 to 24 wherein the support is biocompatible and/or biodegradable.

26. A process for preparing the element as claimed in any one of claims 1 to 25, comprising:

5 placing at least one porous part of a first face of a porous support in contact with an aqueous solution containing fibrin or a fibrinogen-containing material;

10 submitting homogeneously and uniformly the face of the porous part of the support opposite to the first face to a suction force to suck the solution, at least partly, through the porous part, thus ensuring the deposition of a layer based on fibrin or on fibrinogen-containing materials, homogeneously and uniformly with respect to the porous part; and

diffusing at least the solution water through the porous part of the porous support as well as the penetration of fibrin or fibrinogen through the porous support.

15 27. A process as claimed in claim 26, wherein the face of the support opposite to said first face, is submitted to a pressure of less than  $0.8 \times 10^5$  Pa, and wherein a pressure difference is created between the two faces of the porous part of at least  $0.3 \times 10^5$  Pa.

20 28. A process as claimed in claim 27, wherein the support face opposite to the first face is submitted to a pressure of less than  $0.5 \times 10^5$  Pa.

29. A process as claimed in claim 27 wherein the support face opposite to the first face is submitted to a pressure of less than or equal to  $0.4 \times 10^5$  Pa.

25 30. A process as claimed in any one of claims 27 to 29, wherein the support face opposite to the first face is intermittently submitted to a first pressure of less than  $0.8 \times 10^5$  Pa, and to a second pressure of less than  $0.8 \times 10^5$  Pa, the first pressure being at least 5% higher than the second pressure.

30 31. A process as claimed in any one of claims 27 to 30, wherein the face of the porous support opposite to the first face is submitted to a pressure of less than  $0.8 \times 10^5$  Pa, and exposed to a temperature of 0 to 100°C.

32. A process as claimed in any one of claims 27 to 30, wherein the face of the porous support opposite to the first face is submitted to a pressure of less than  $0.8 \times 10^5$  Pa, and exposed to a temperature of 15 to 60°C.

5

33. A process as claimed in claim 26, wherein the face of the porous support opposite to the first face is submitted to a solution selected so as to create a reverse osmosis, causing the diffusion of at least the solution water in contact with the first face through  
10 the porous part of the support.

34. A process as claimed in any one of claims 26 to 33, wherein the solution contains 5 to 20 mg/ml of fibrinogen-containing materials.

35. A process as claimed in claim 34, wherein the solution  
15 further contains 0.01 to 10 units of thrombin per ml.

36. A process as claimed in claim 34, wherein the solution further contains factor XIII, and 0.01 to 2 units of thrombin per ml.

37. A process as claimed in claim 36, wherein the solution contains 0.1 to 10 units of factor XIII per ml.

20 38. A process as claimed in any one of claims 34 to 37, wherein the solution contains 1 to 40 millimoles of calcium chloride per ml.

39. A process as claimed in any one of claims 34 to 38, wherein the solution contains 0 to 20% by weight, of a water-soluble  
25 or miscible polar organic additive.

40. A process as claimed in any one of claims 34 to 38, wherein the solution contains 3 to 15% by weight of water-soluble or miscible polar organic additive.

41. A process as claimed in any one of claims 34 to 38,  
30 wherein the solution contains 5 to 10% by weight of water soluble or miscible polar organic additive.



42. A process as claimed in any one of claims 39 to 41, wherein the additive is glycerol.
43. A process as claimed in any one of claims 26 to 42 further comprising stabilizing the fibrin and/or fibrinogen layer.
- 5 44. A process as claimed in any one of claims 26 to 43, wherein a contact is provided between the part of the first face and a moving aqueous solution.
45. A process as claimed in any one of claims 26 to 44, wherein the aqueous solution contains a wetting agent to fill the  
10 pores of the porous support before placing the support in contact with the solution containing fibrin or fibrinogen-containing materials.
46. A process as claimed in any one of claims 26 to 45, further comprising a drying step.
- 15 47. A process as claimed in any one of claims 26 to 46 further comprising a washing step preceding the drying step.
48. A process as claimed in claim 45 or 46, wherein the drying step is effected at least partially by lyophilization, at a temperature of  $-30^{\circ}\text{C}$  and  $-100^{\circ}\text{C}$ .
- 20 49. A process as claimed in any one of claims 35 to 48, wherein at least for a part of the deposit of the layer based on fibrin or on fibrinogen-containing materials, the concentration of fibrin or fibrinogen-containing materials in the solution in contact with the first face is controlled in order to ensure a substantially  
25 constant water diffusion through the support.
50. A process as claimed in any one of claims 26 to 49, wherein a biocompatible and/or biodegradable porous support is used.
51. A process as claimed in any one of claims 26 to 50, wherein the porous part is treated with an aqueous solution which  
30 contains a wetting agent, a protein or a polar organic additive, or a mixture thereof, before bringing the solution containing fibrin and/or fibrinogen-containing materials in contact with the porous

part.

52. A filter comprising a membrane consisting of the element as claimed in any one of claims 1 to 25.

5 53. A bioreactor comprising a membrane consisting of the element as claimed in any one of claims 1 to 25.

54. An implant consisting of the element as claimed in any one of claims 1 to 25.

FIG 1

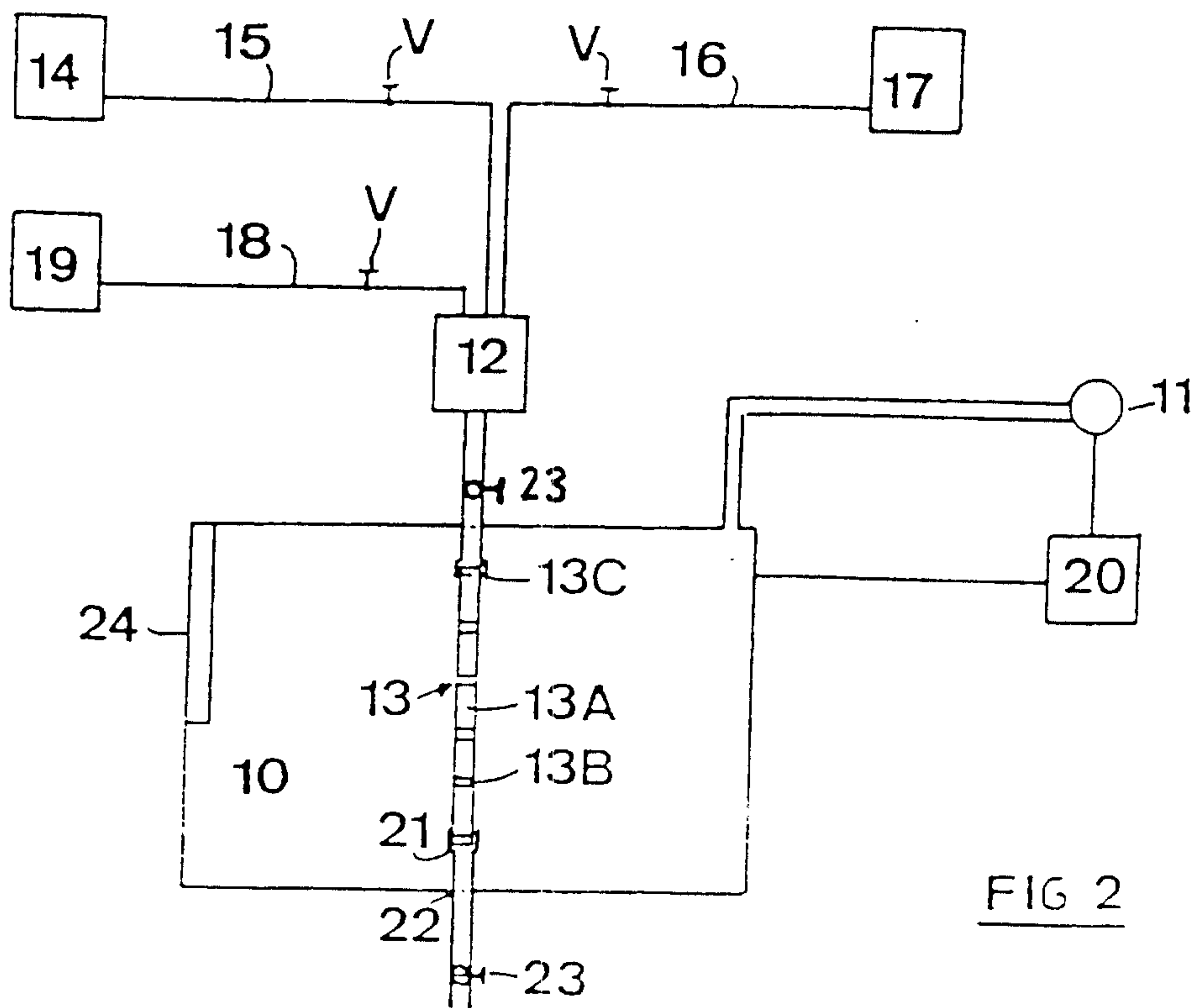
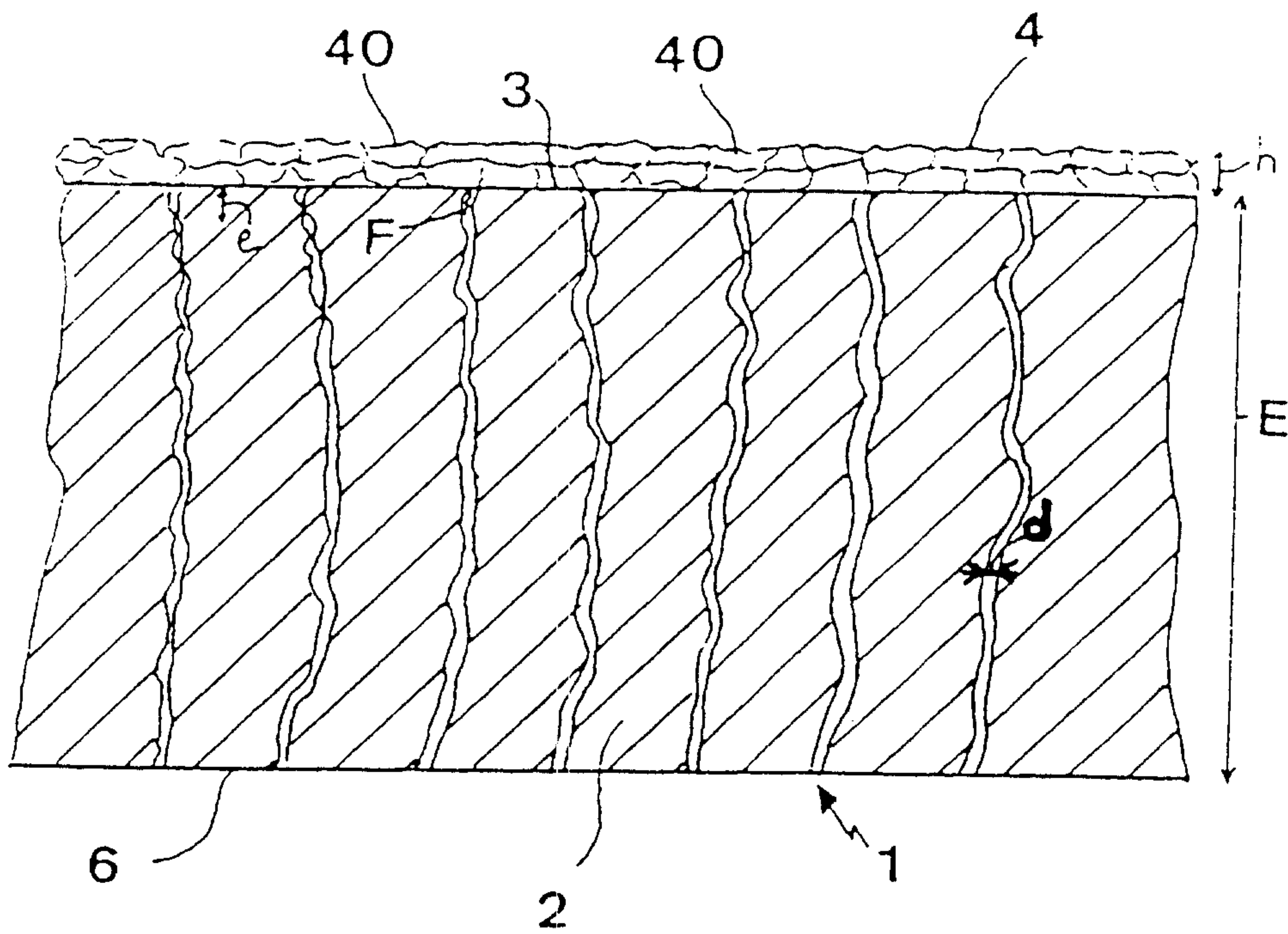


FIG 2



Fig.3

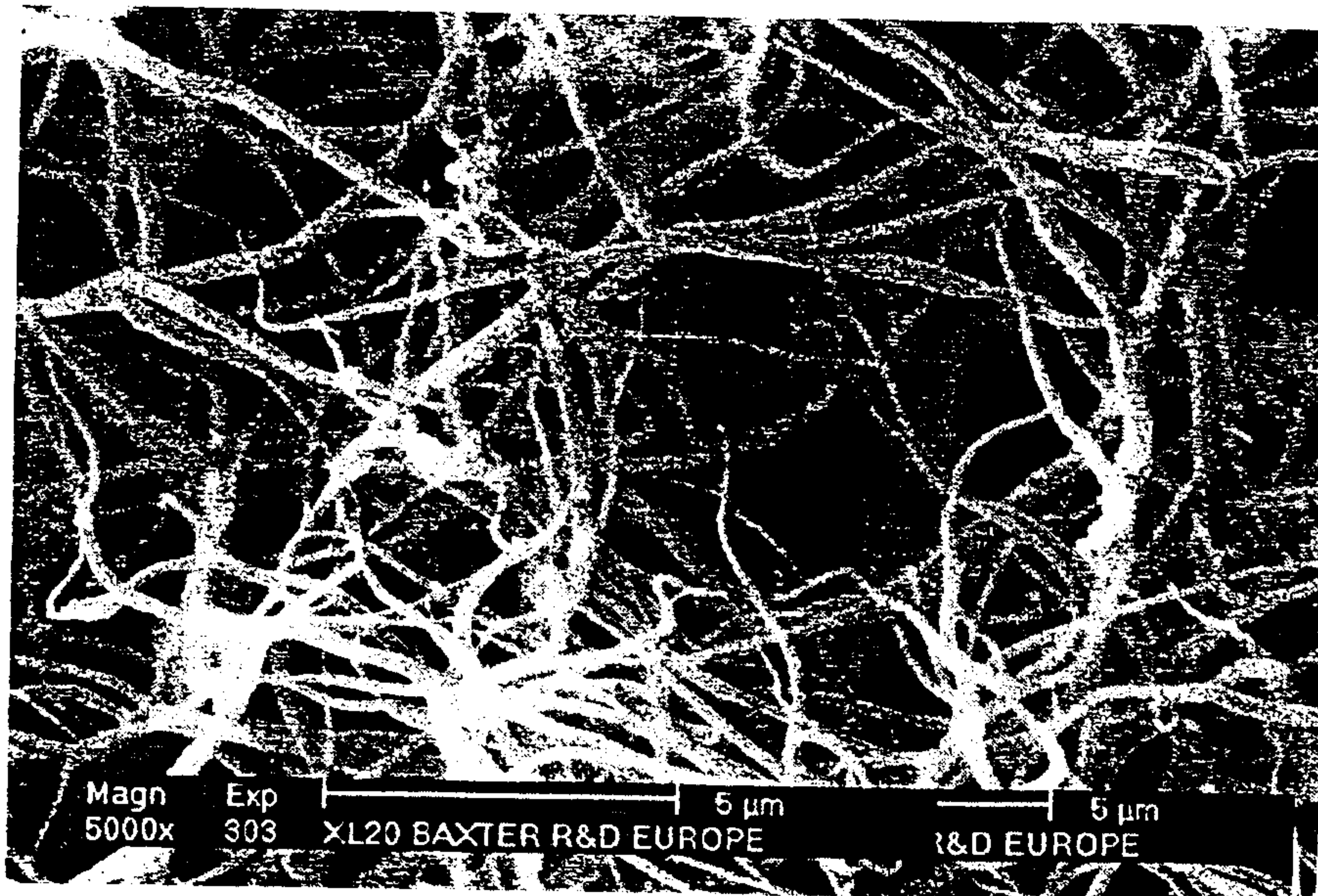


Fig. 4

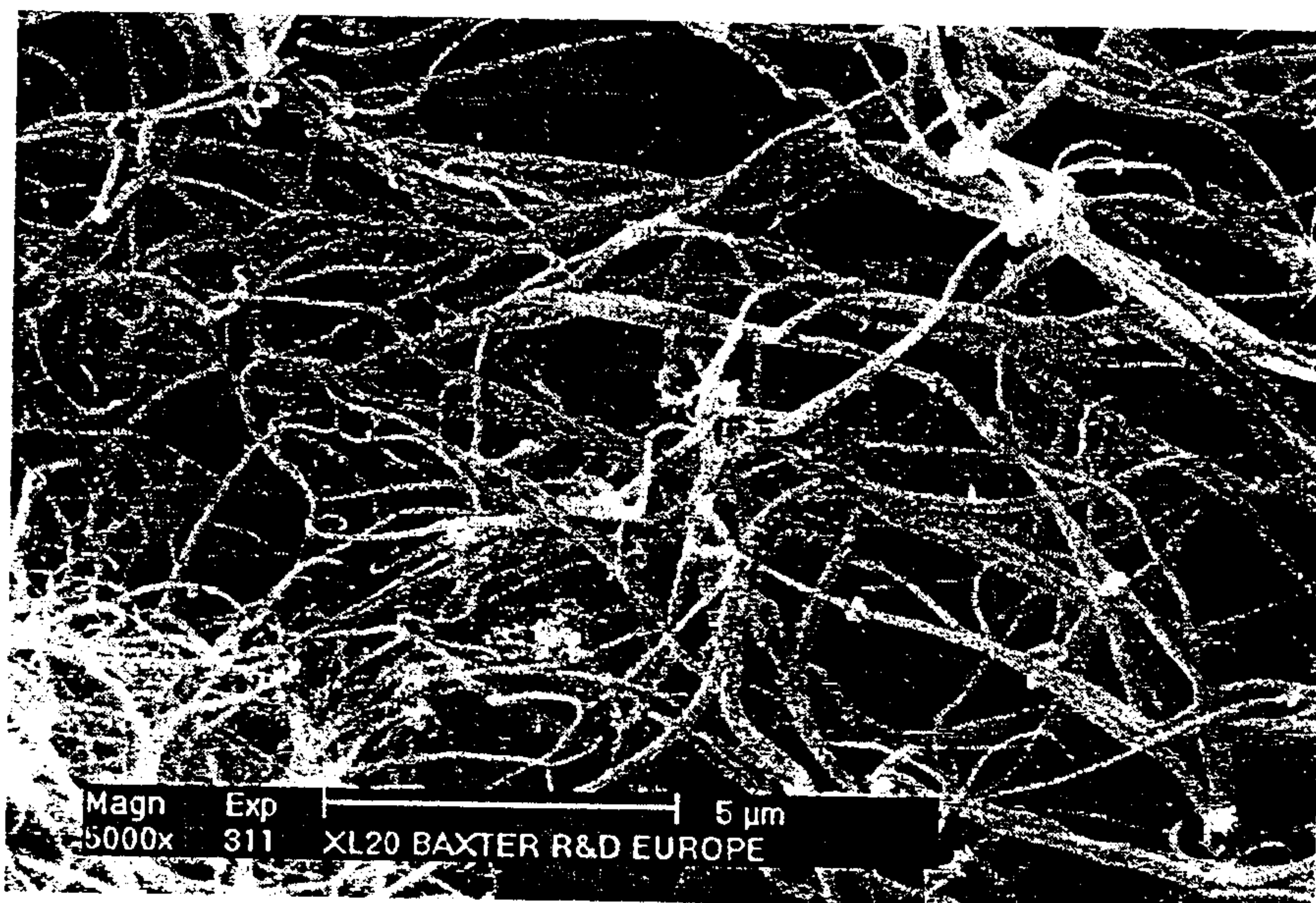




Fig.5

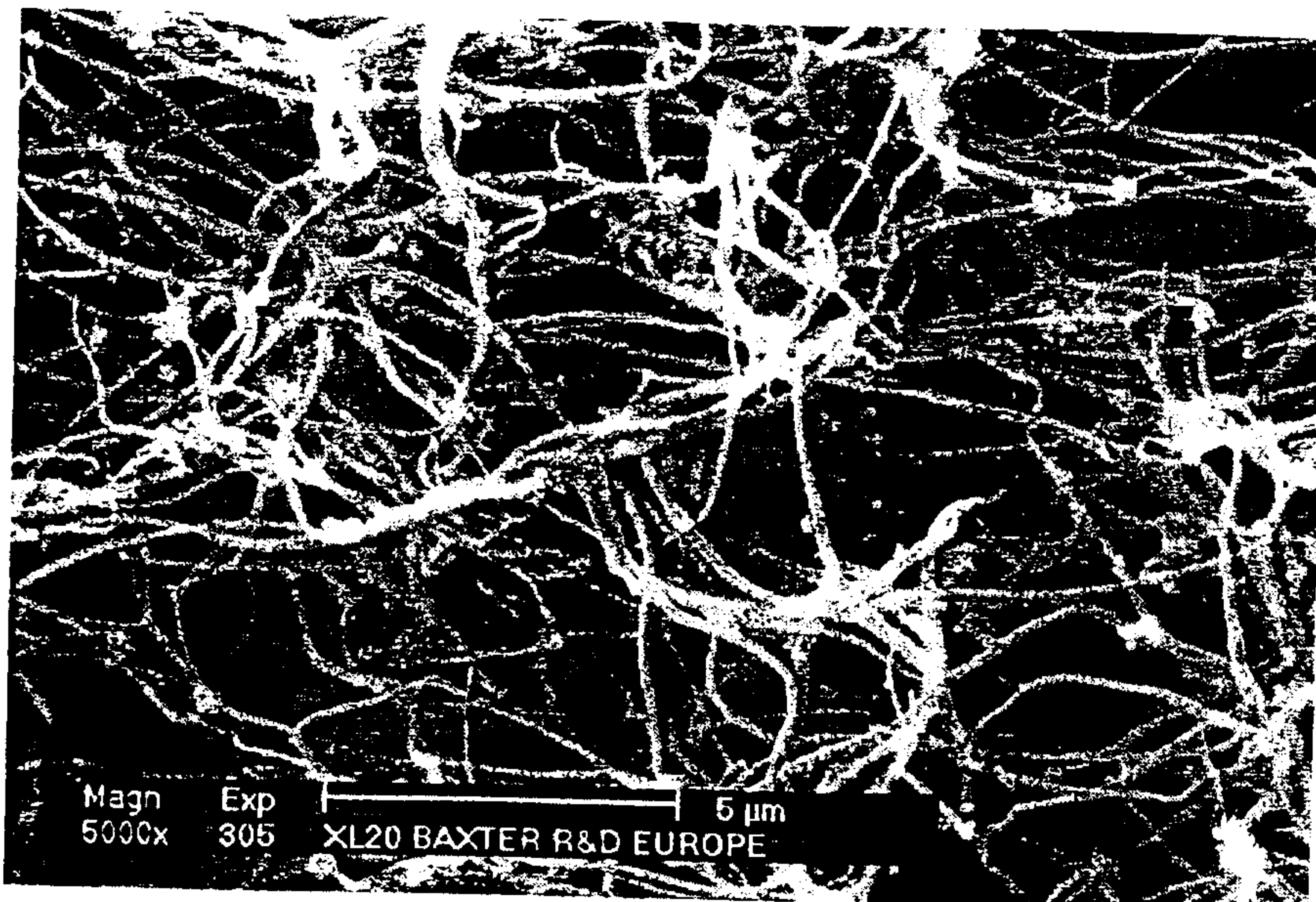


Fig.6





Fig.7

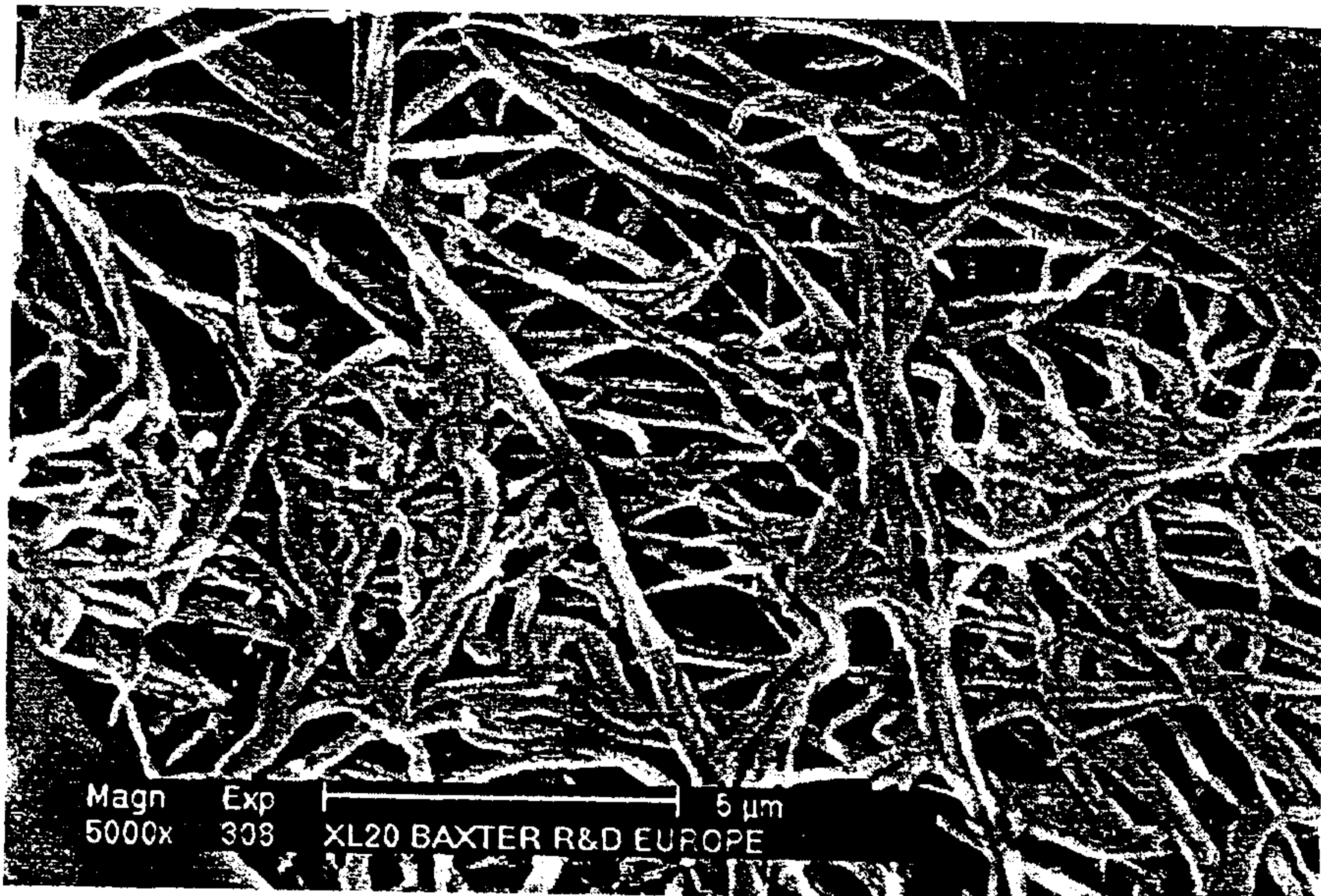


Fig. 8

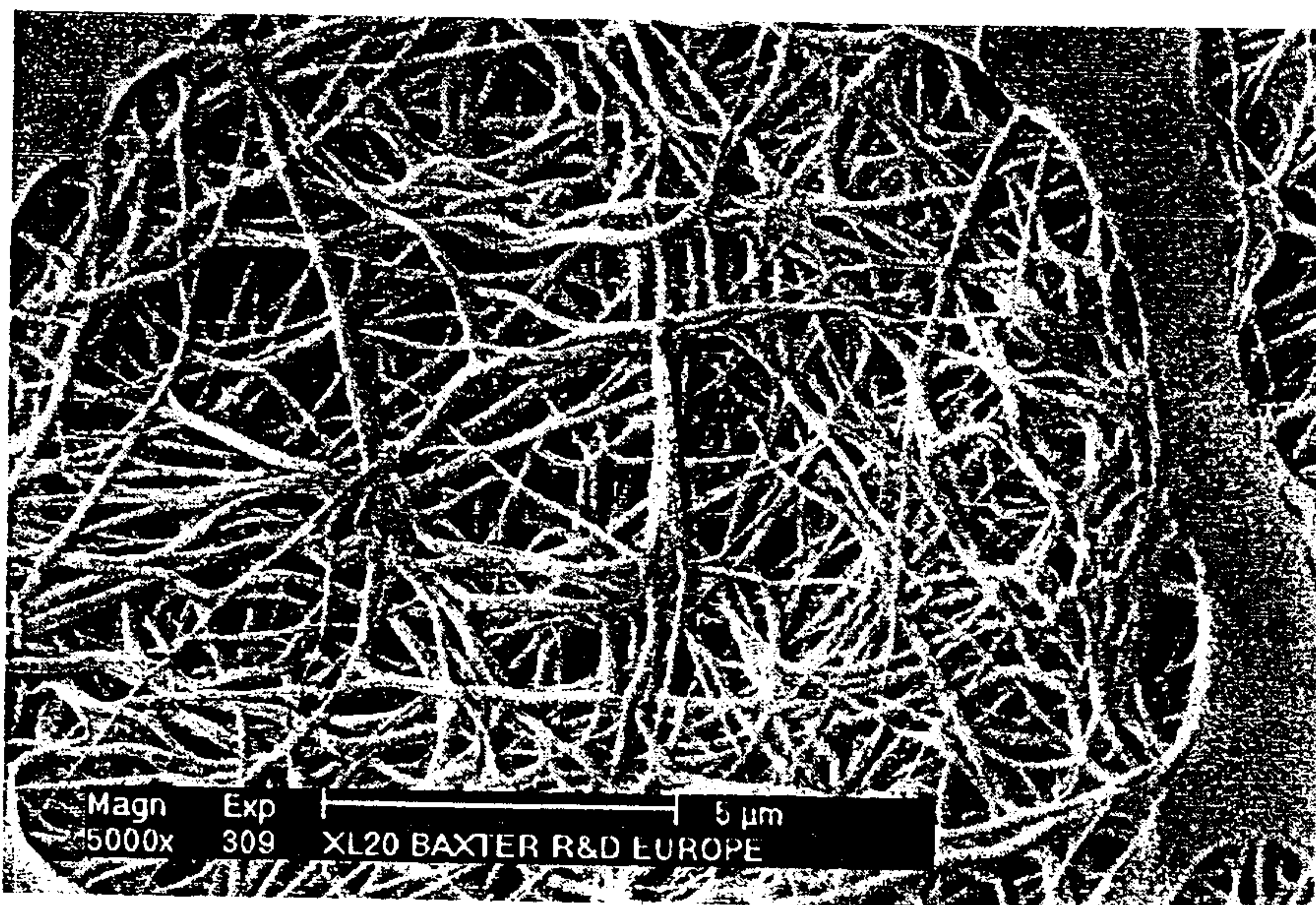




Fig.9

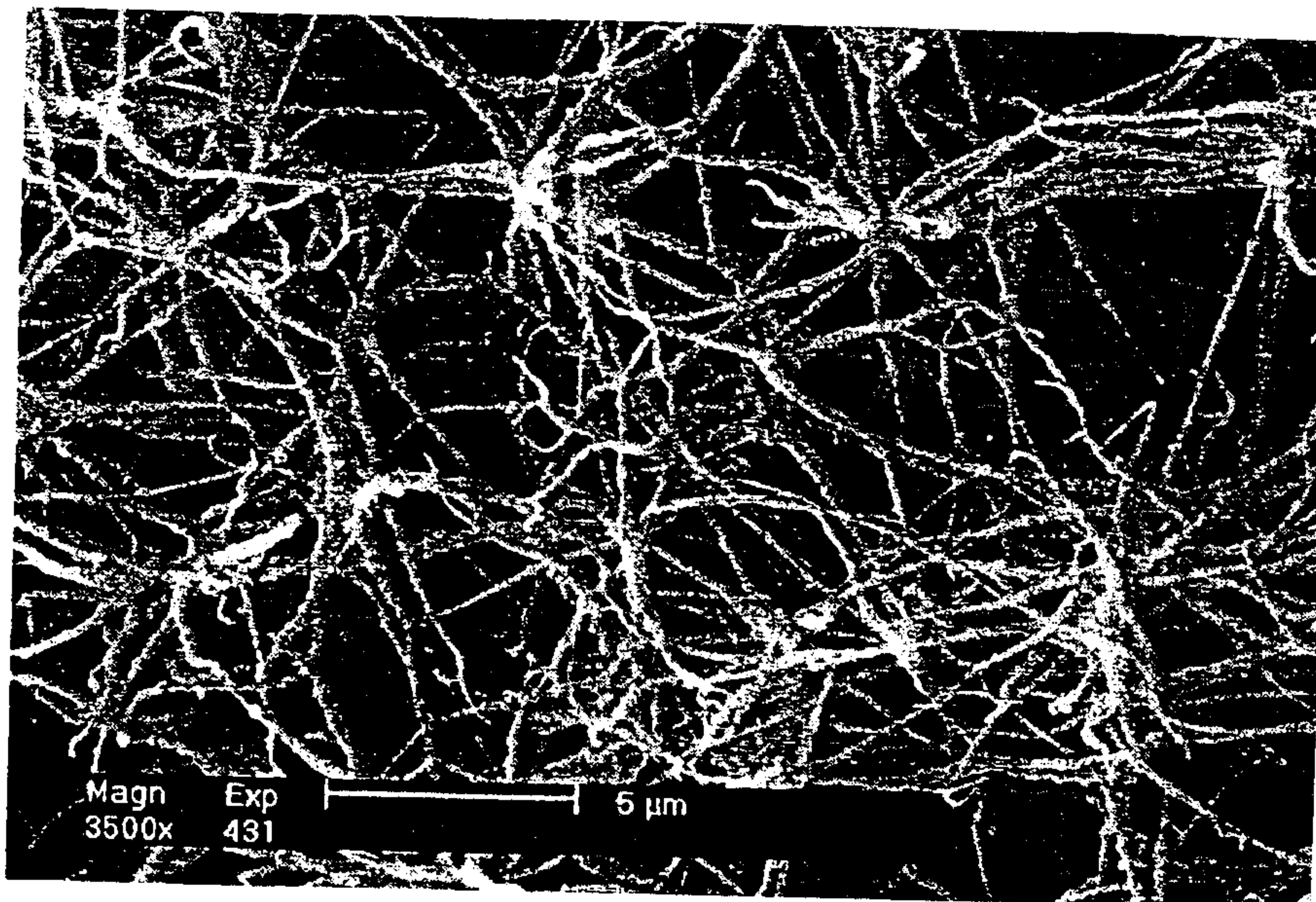


Fig. 10

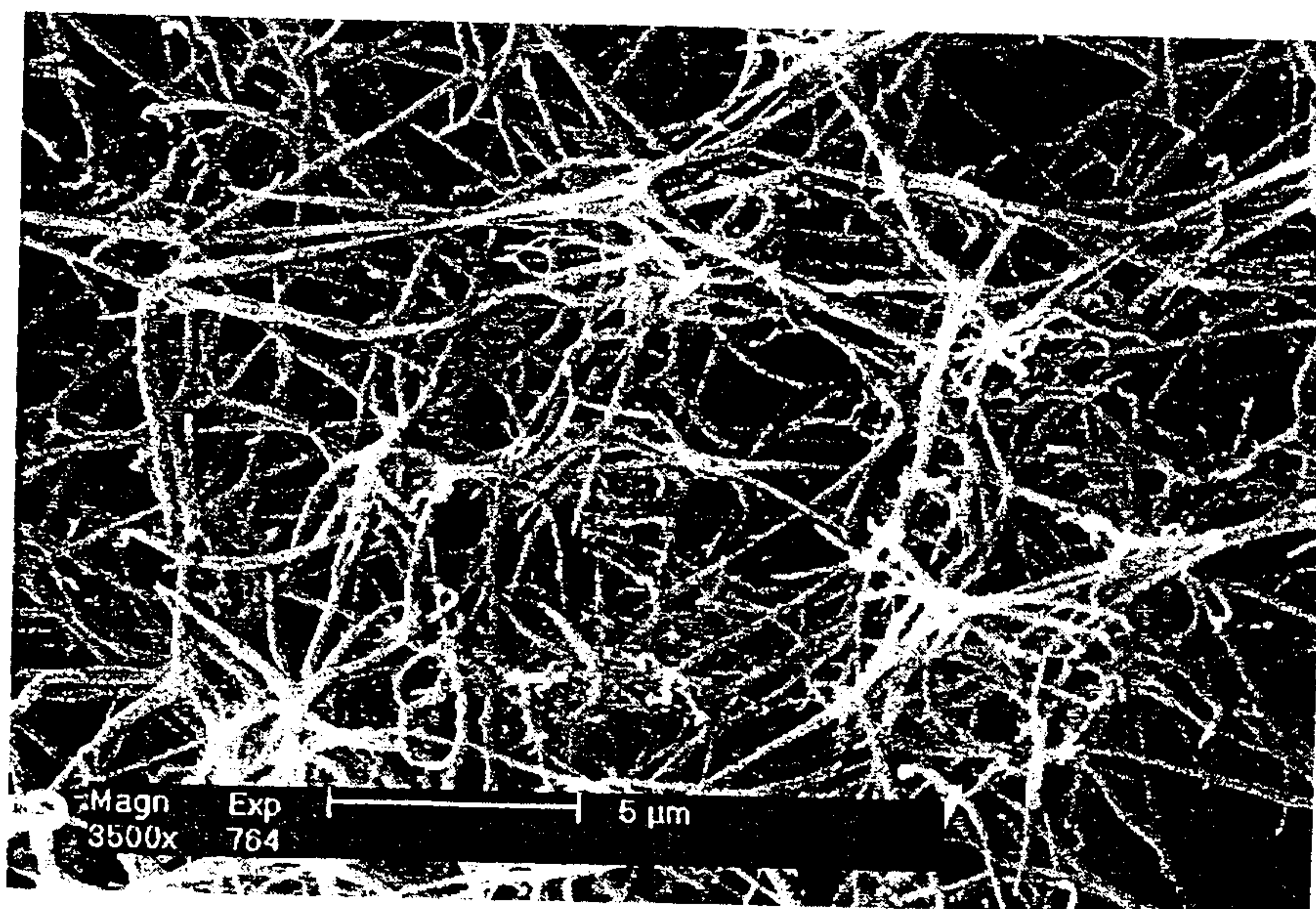




Fig.11

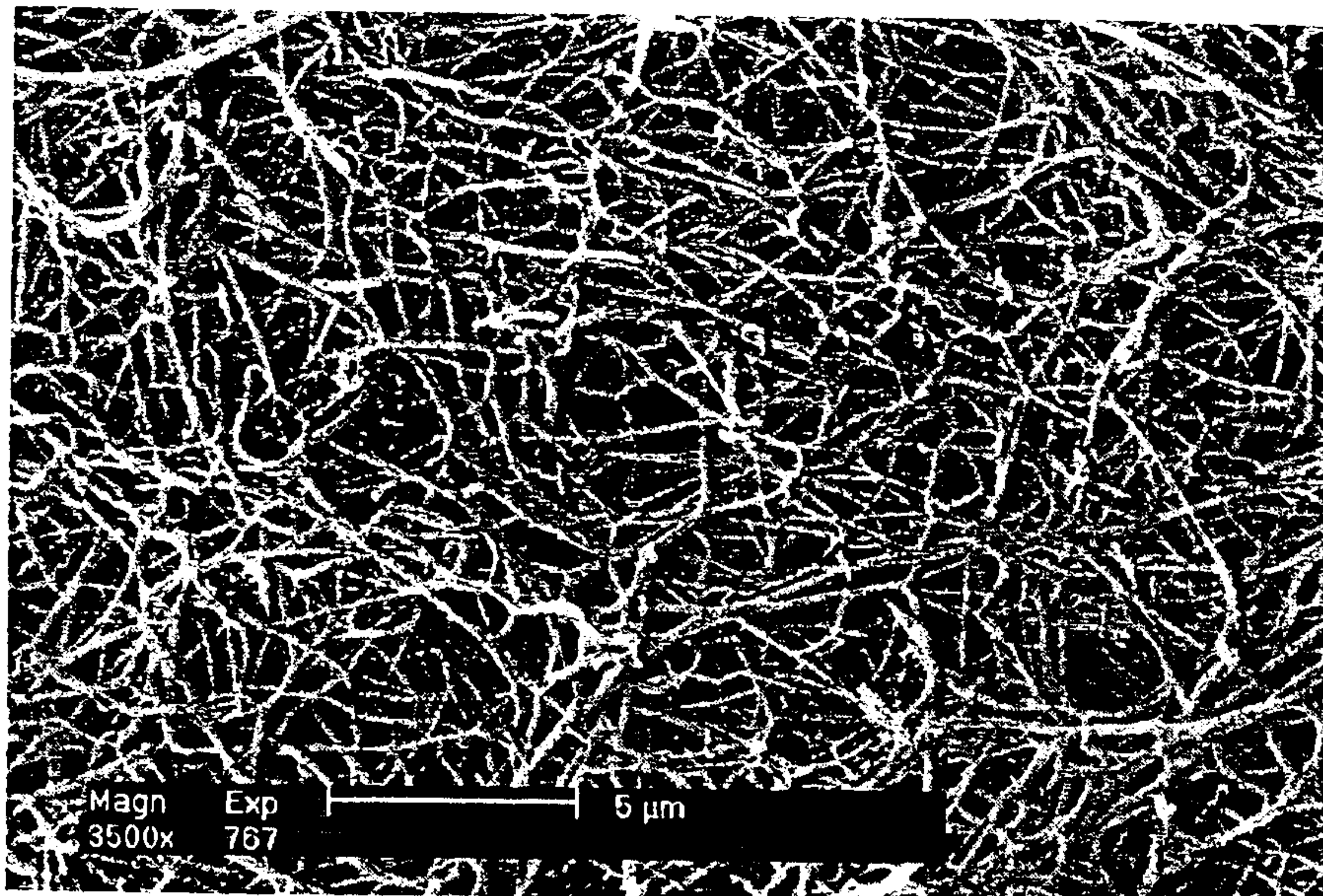


Fig. 12

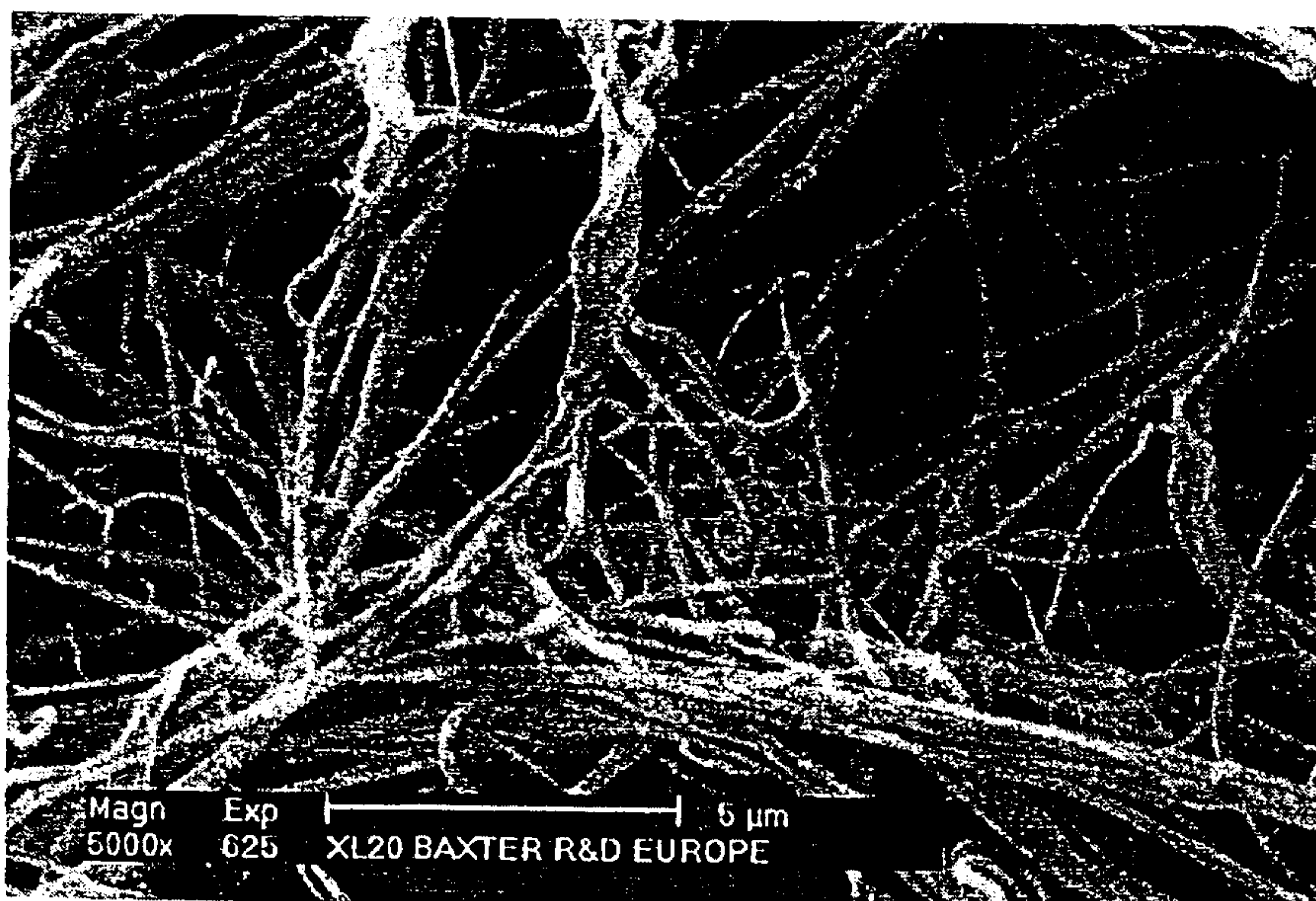




Fig.13

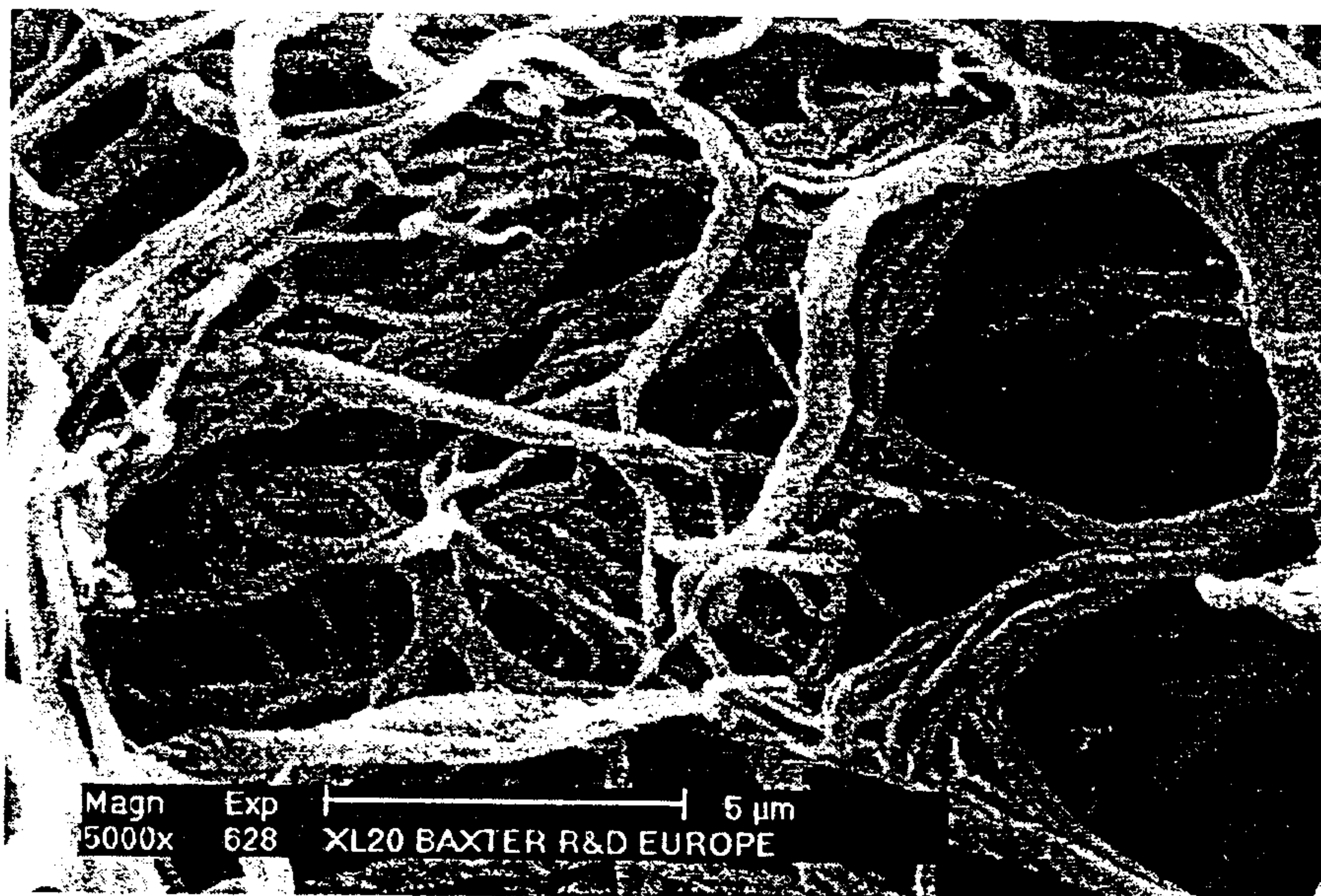


Fig. 14

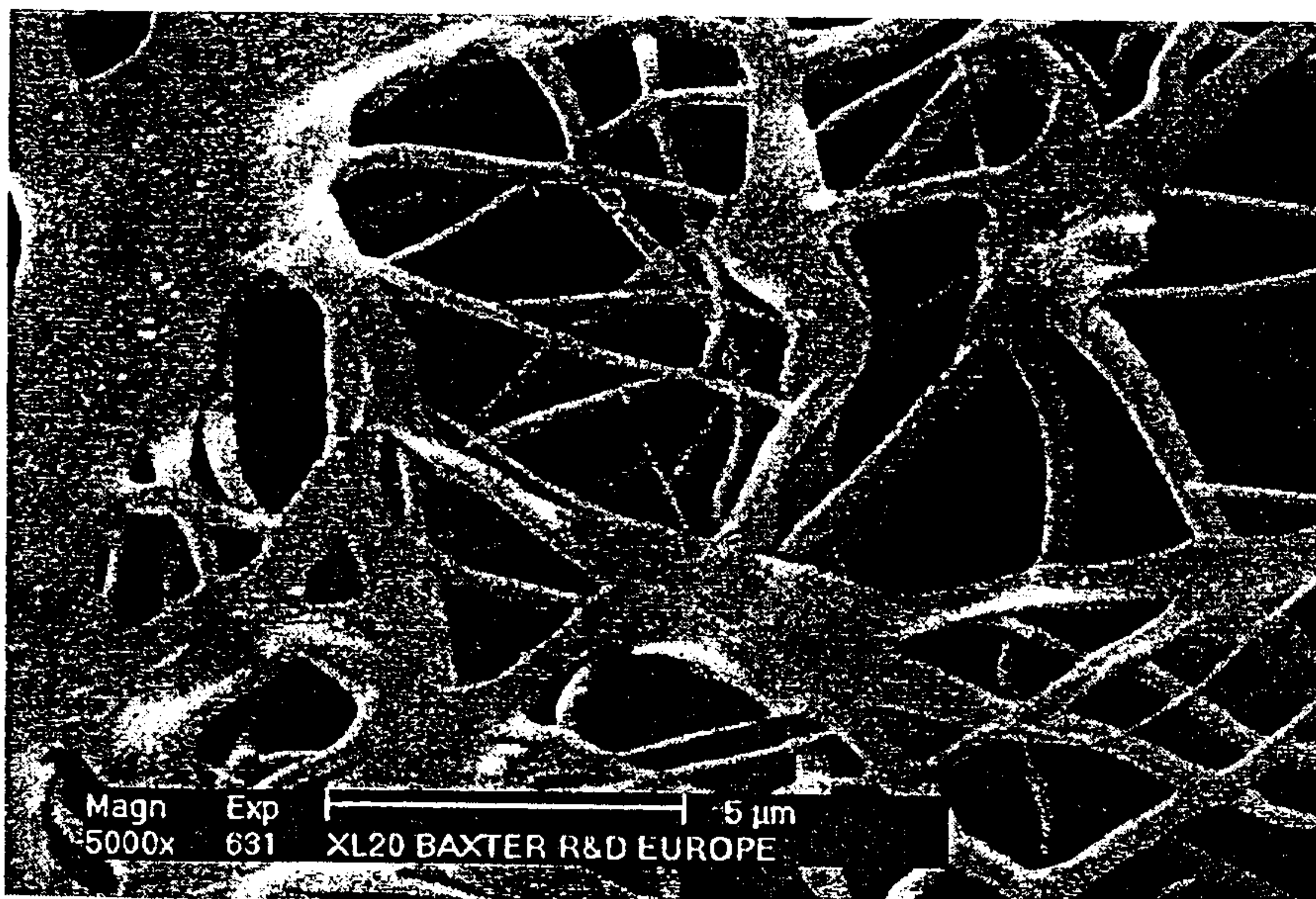




Fig.15



Fig. 16

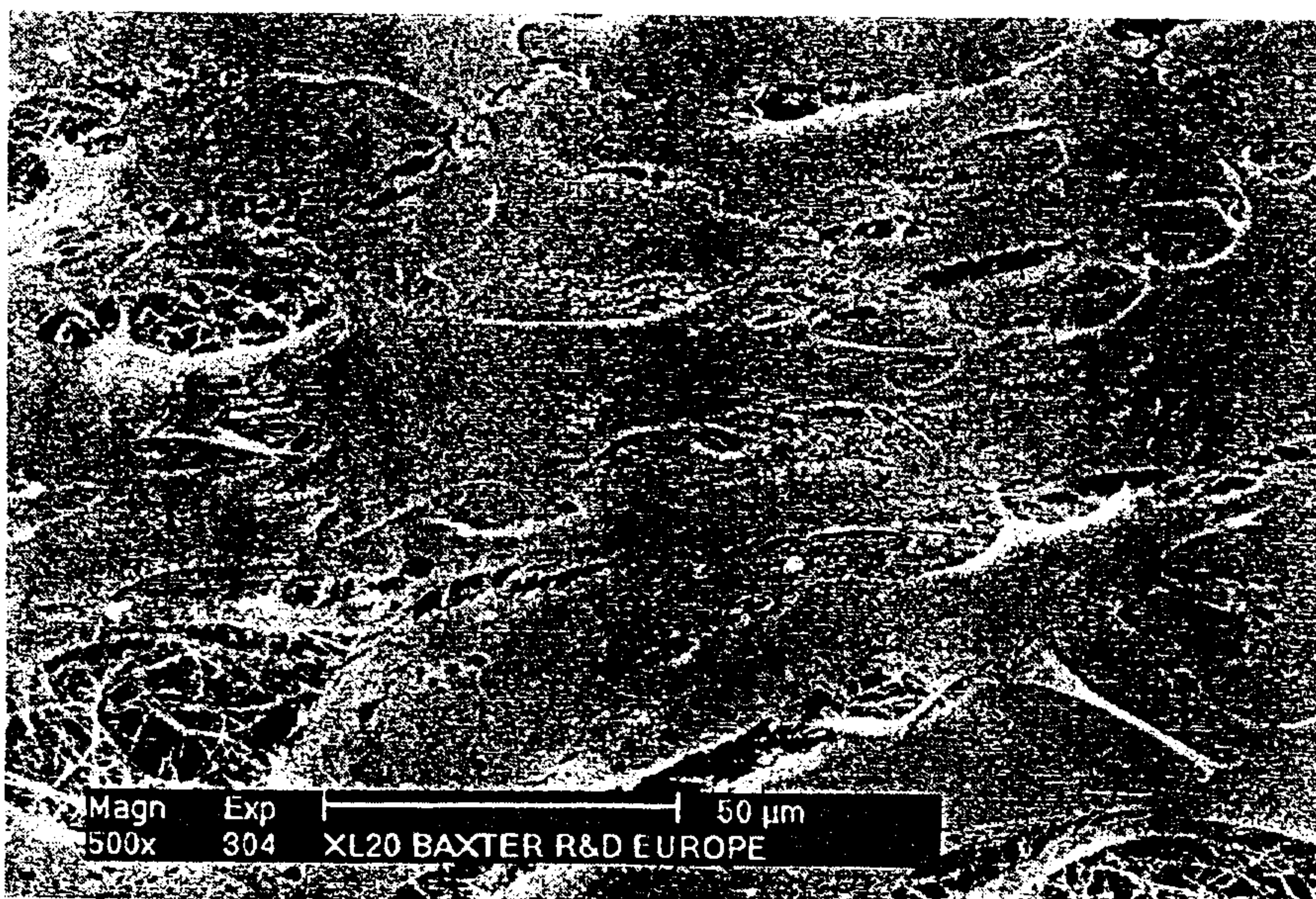




Fig. 17

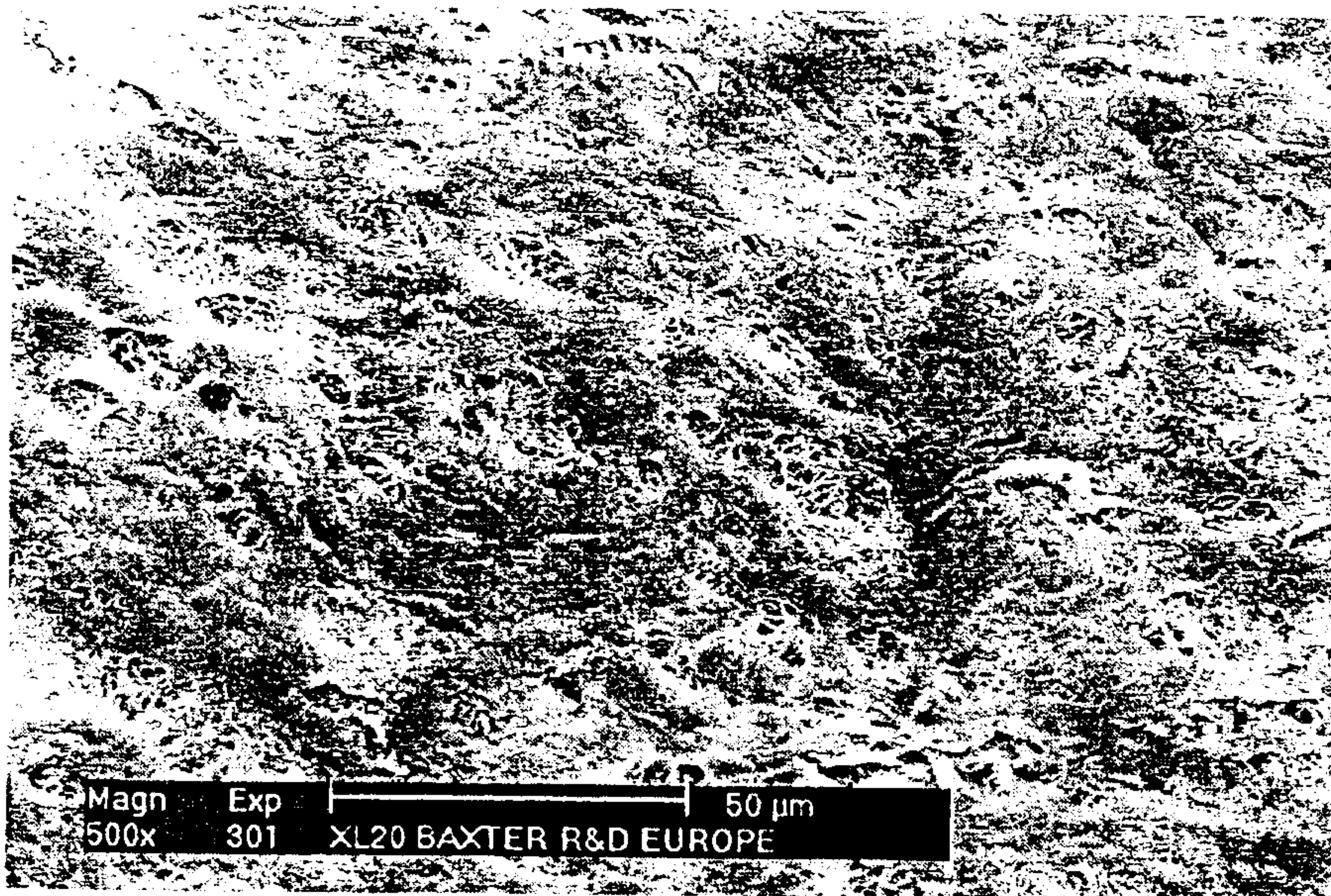


Fig. 18





Fig. 19

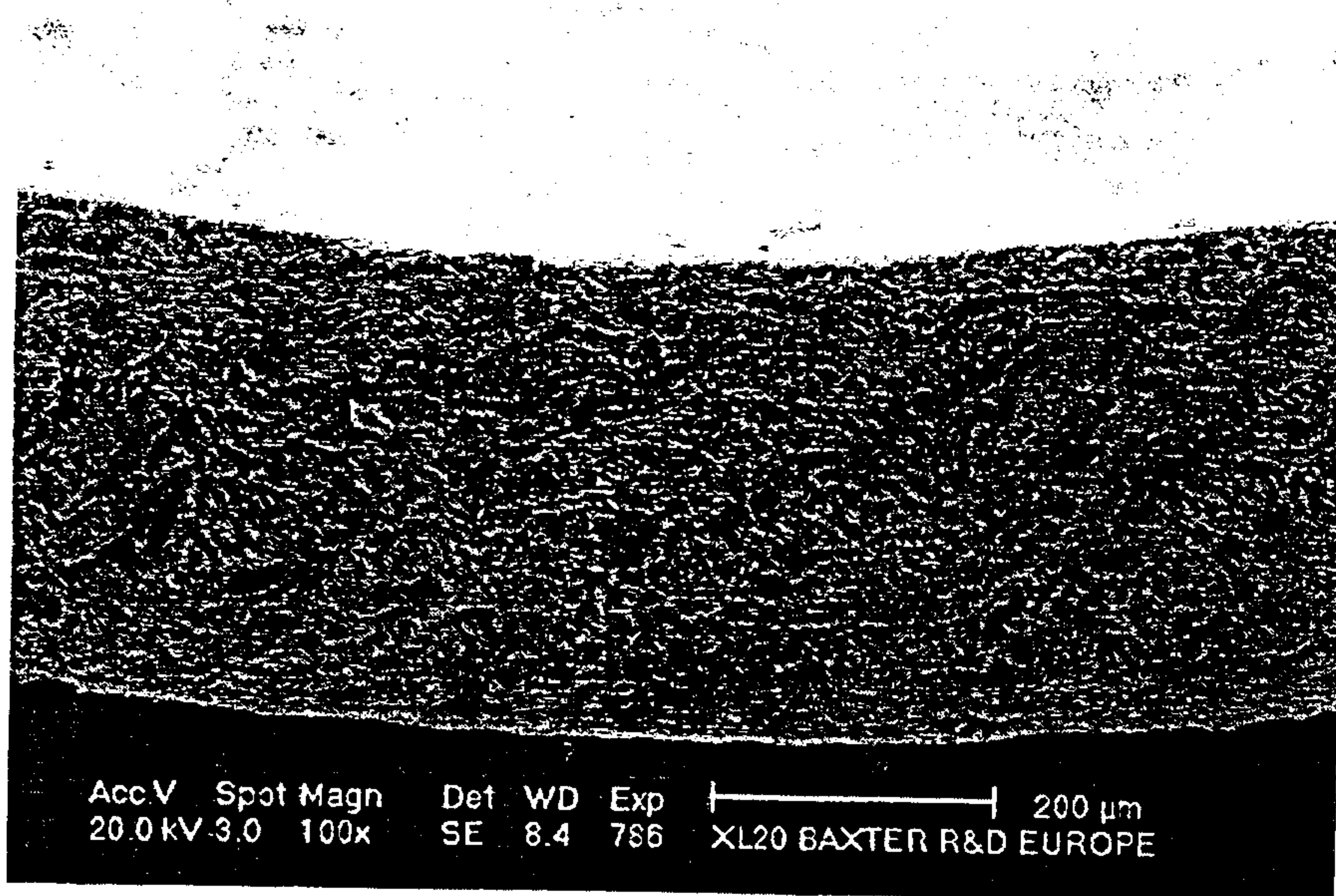


Fig. 20

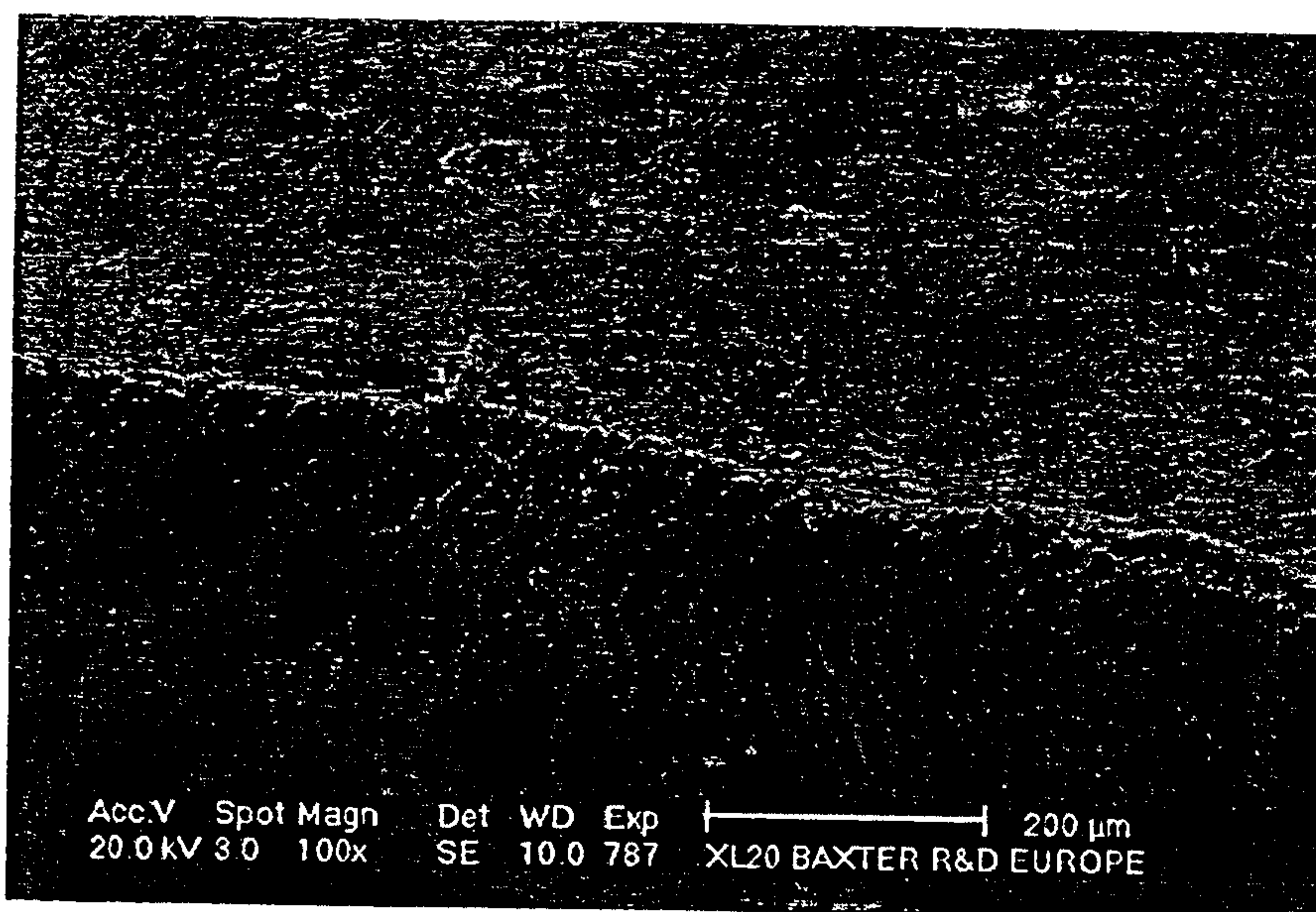




Fig.21

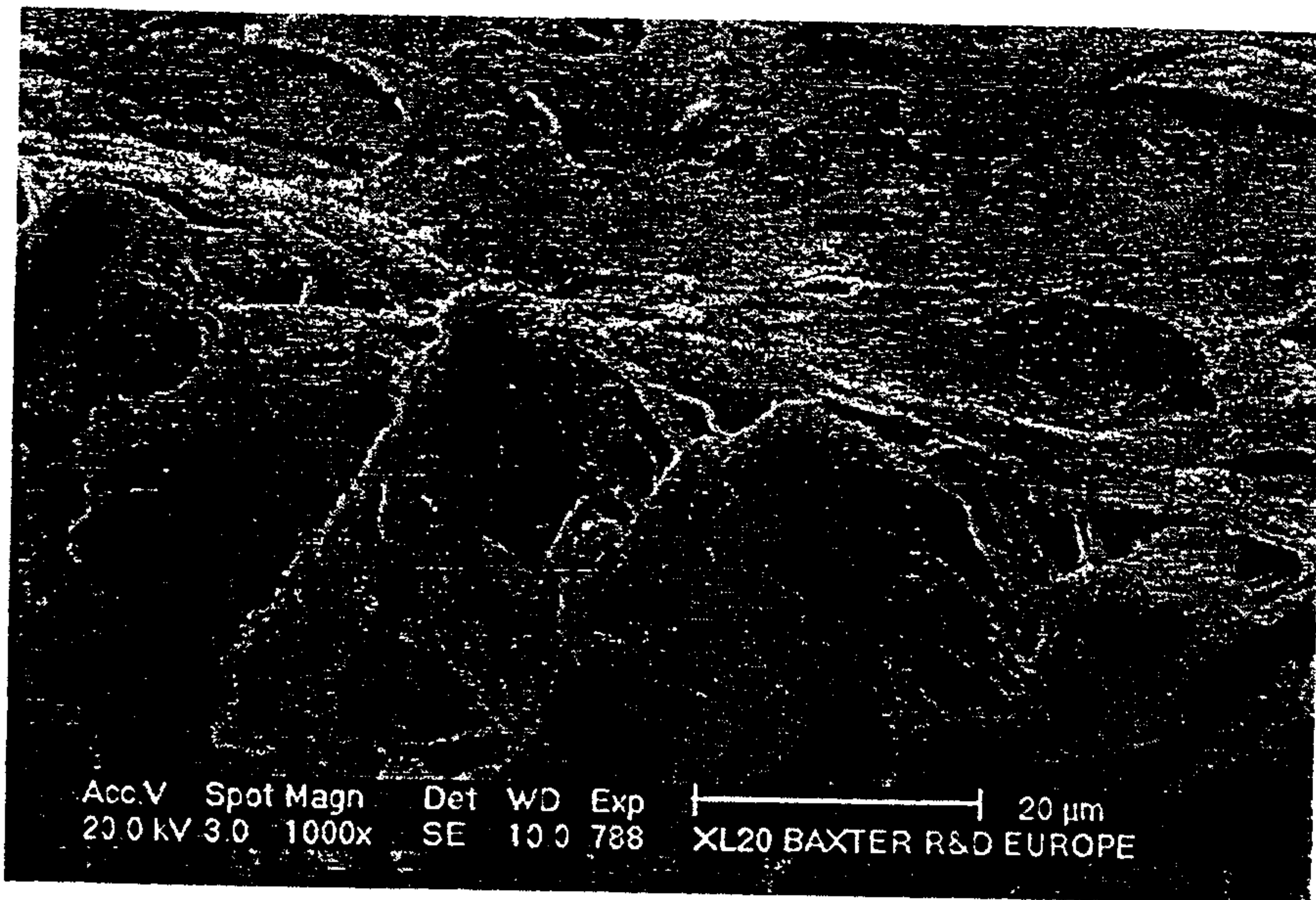


FIG 22

