

CORRECTED VERSION

(19) World Intellectual Property Organization  
International Bureau



(43) International Publication Date  
3 September 2009 (03.09.2009)

PCT

(10) International Publication Number  
WO 2009/108317 A8

- (51) International Patent Classification:  
G10D 13/00 (2006.01) G10C 3/12 (2006.01)  
G10D 13/08 (2006.01)
- (21) International Application Number:  
PCT/US2009/001196
- (22) International Filing Date:  
26 February 2009 (26.02.2009)
- (25) Filing Language: English
- (26) Publication Language: English
- (30) Priority Data:  
61/067,355 28 February 2008 (28.02.2008) US  
12/378,367 14 February 2009 (14.02.2009) US
- (71) Applicant and  
(72) Inventor: SARAGOSA, William [US/US]; Obere Stadt  
77, D-82362 Weilheim (DE).
- (74) Agent: BLACK, Gerald, R.; 30320 Southfield Road  
#67a, Southfield, MI 48076 (US).
- (81) Designated States (unless otherwise indicated, for every  
kind of national protection available): AE, AG, AL, AM,

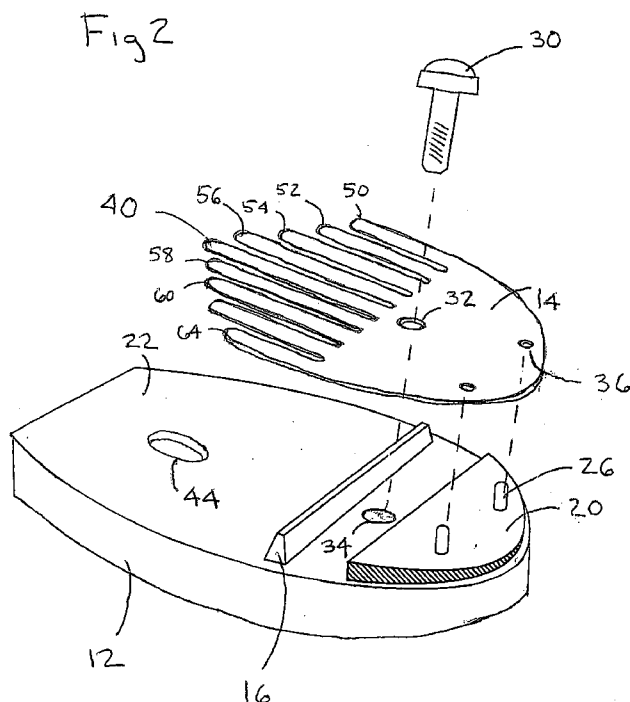
AO, AT, AU, AZ, BA, BB, BG, BH, BR, BW, BY, BZ, CA, CH, CN, CO, CR, CU, CZ, DE, DK, DM, DO, DZ, EC, EE, EG, ES, FI, GB, GD, GE, GH, GM, GT, HN, HR, HU, ID, IL, IN, IS, JP, KE, KG, KM, KN, KP, KR, KZ, LA, LC, LK, LR, LS, LT, LU, LY, MA, MD, ME, MG, MK, MN, MW, MX, MY, MZ, NA, NG, NI, NO, NZ, OM, PG, PH, PL, PT, RO, RS, RU, SC, SD, SE, SG, SK, SL, SM, ST, SV, SY, TJ, TM, TN, TR, TT, TZ, UA, UG, US, UZ, VC, VN, ZA, ZM, ZW.

(84) Designated States (unless otherwise indicated, for every kind of regional protection available): ARIPO (BW, GH, GM, KE, LS, MW, MZ, NA, SD, SL, SZ, TZ, UG, ZM, ZW), Eurasian (AM, AZ, BY, KG, KZ, MD, RU, TJ, TM), European (AT, BE, BG, CH, CY, CZ, DE, DK, EE, ES, FI, FR, GB, GR, HR, HU, IE, IS, IT, LT, LU, LV, MC, MK, MT, NL, NO, PL, PT, RO, SE, SI, SK, TR), OAPI (BF, BJ, CF, CG, CI, CM, GA, GN, GQ, GW, ML, MR, NE, SN, TD, TG).

Declarations under Rule 4.17:  
— of inventorship (Rule 4.17(iv))

[Continued on next page]

(54) Title: KALIMBA SYSTEM



(57) Abstract: A musical instrument held and played by hand such as a kalimba having a hollow sound chamber and an angled footing mounting on an outer surface of the sound chamber. A plurality of interchangeable one piece key plates mounted onto the angled footing, each key plate including a plurality of keys, each key having a length corresponding to a permanent preset musical tone or note. Each interchangeable key plate includes a set of musical sounds different from other key plates such that a musician can change key plates to vary the style of music played, or to suit the desired educational environment.



WO 2009/108317 A8



---

**Published:**

— *without international search report and to be republished upon receipt of that report (Rule 48.2(g))*

**(15) Information about Correction:**

see Notice of 15 October 2009

**(48) Date of publication of this corrected version:**

15 October 2009