



US00D723974S

(12) **United States Design Patent**
de Sade

(10) **Patent No.:** **US D723,974 S**

(45) **Date of Patent:** **** Mar. 10, 2015**

(54) **CLASP MEMBER**

(71) Applicant: **Cartier Creation Studio S.A.**, Geneva (CH)

(72) Inventor: **Donatien de Sade**, Paris (FR)

(73) Assignee: **Cartier Creation Studio S.A.** (CH)

(**) Term: **14 Years**

(21) Appl. No.: **29/481,175**

(22) Filed: **Feb. 3, 2014**

(30) **Foreign Application Priority Data**

Aug. 2, 2013 (EM) 002286336

(51) **LOC (10) Cl.** **02-07**

(52) **U.S. Cl.**
USPC **D11/200**

(58) **Field of Classification Search**
CPC A44B 11/26
USPC D11/1-2, 200-201, 206-210, 214-218;
24/163 R, 169-171, 173, 177-179, 191,
24/194-195, 197, 200, 614-616, 625,
24/198; D8/349

See application file for complete search history.

(56) **References Cited**

U.S. PATENT DOCUMENTS

D111,057 S *	8/1938	Anderson	D11/213
D211,314 S *	6/1968	Beach	D11/218
D444,795 S *	7/2001	Wakasugi et al.	D15/7
D461,733 S *	8/2002	Iida	D10/85
D699,151 S *	2/2014	Kolasa	D11/200

* cited by examiner

Primary Examiner — Ralf Seifert

(74) *Attorney, Agent, or Firm* — Cantor Colburn LLP

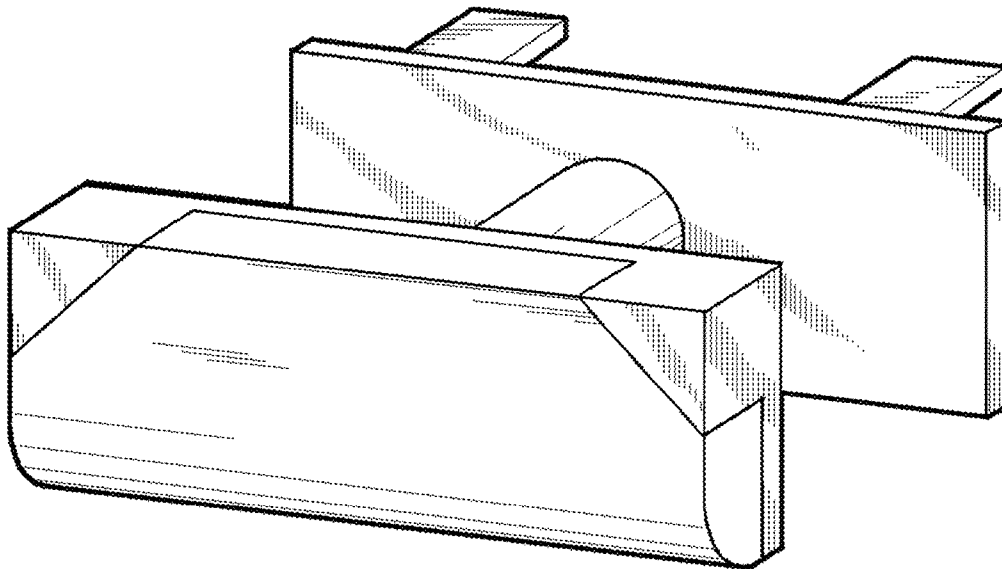
(57) **CLAIM**

I claim, the ornamental design for a clasp member, as shown and described.

DESCRIPTION

FIG. 1 is a front elevation view of a clasp member, showing my new design;
FIG. 2 is a rear elevation view thereof;
FIG. 3 is a side elevation view thereof;
FIG. 4 is an opposite side elevation view thereof
FIG. 5 is a top plan view thereof;
FIG. 6 is a bottom plan view thereof; and,
FIG. 7 is a perspective view thereof.

1 Claim, 7 Drawing Sheets



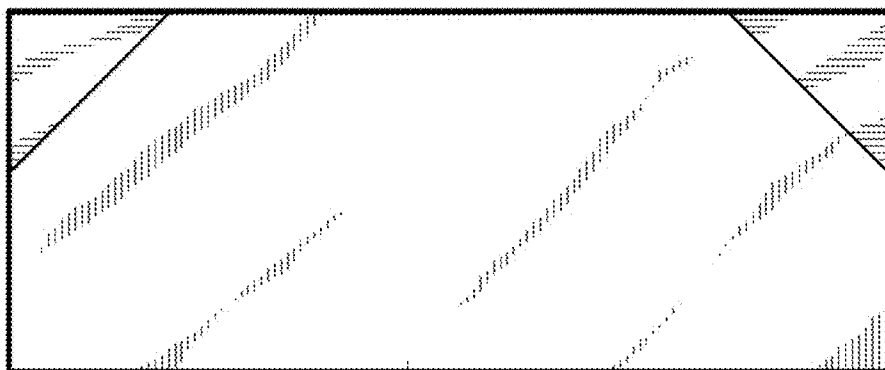


FIG. 1

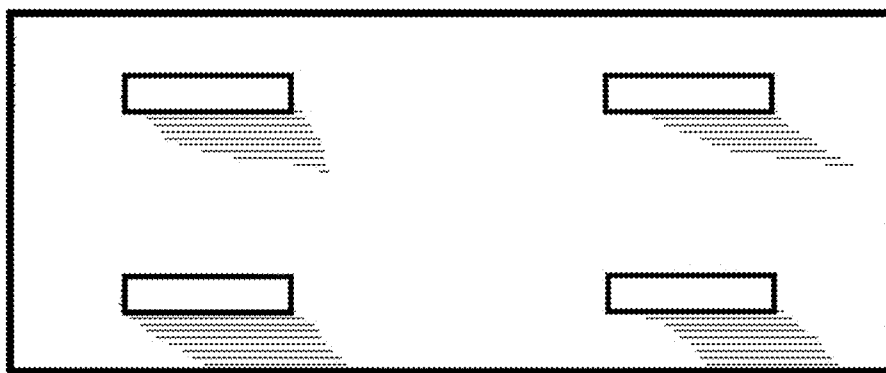


FIG.2

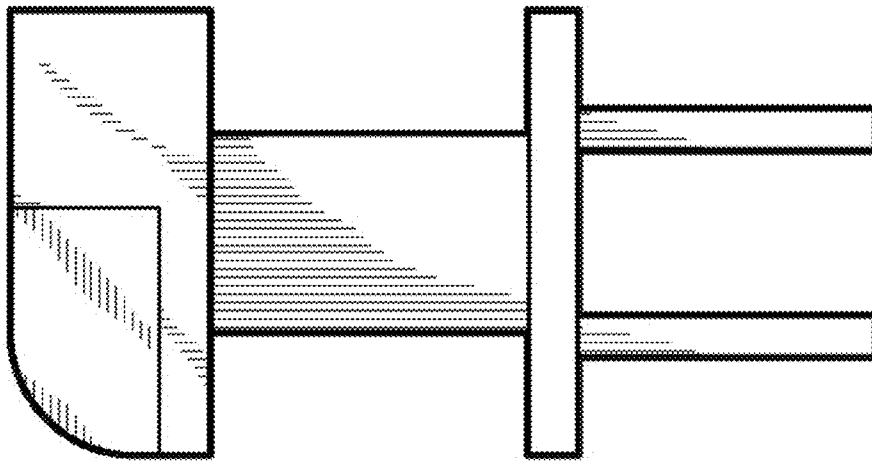


FIG.3

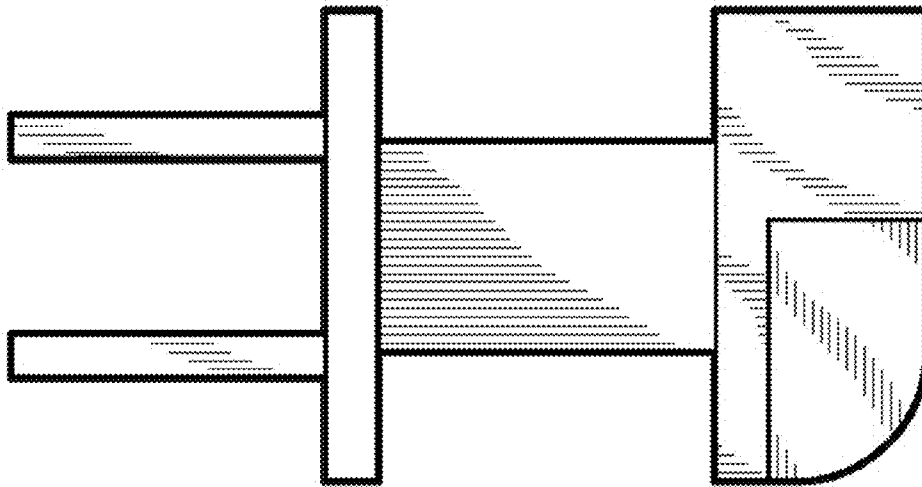


FIG.4

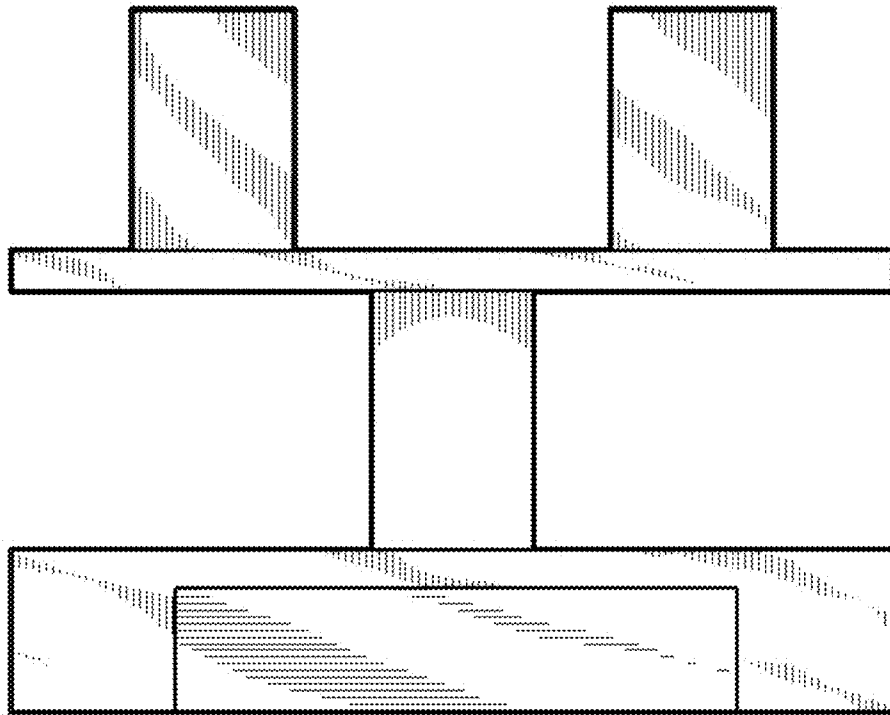


FIG.5

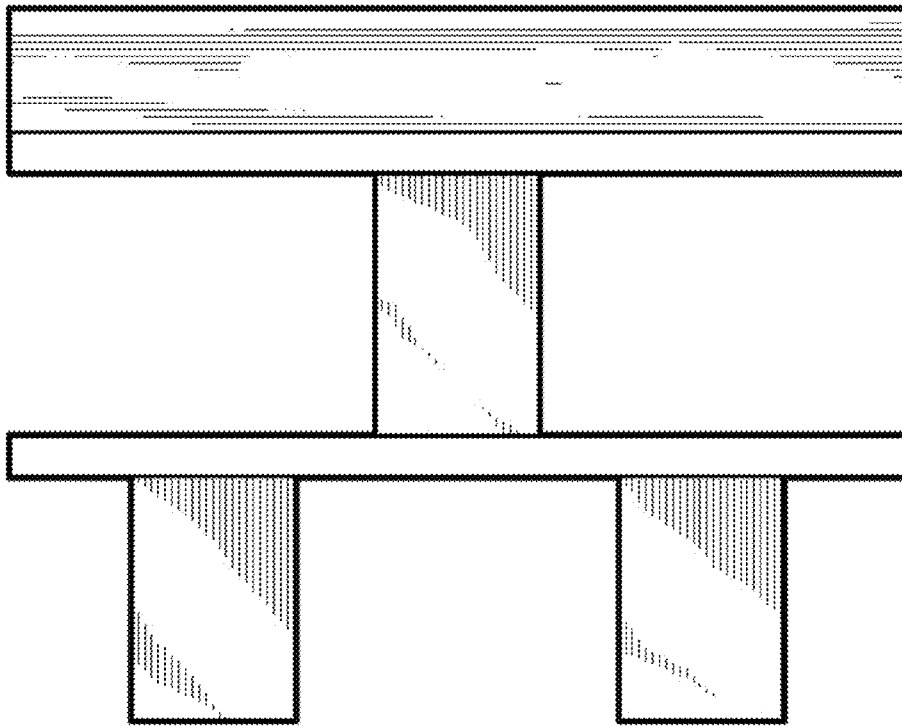


FIG.6

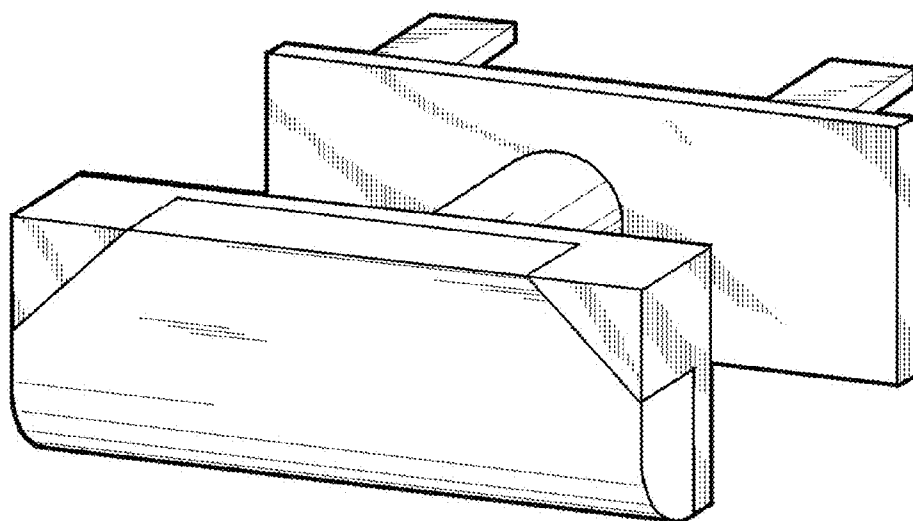


FIG. 7