

(19) World Intellectual Property Organization
International Bureau



(43) International Publication Date
3 March 2005 (03.03.2005)

PCT

(10) International Publication Number
WO 2005/018744 A3

- (51) International Patent Classification:
A62B 1/00 (2006.01)
- (21) International Application Number:
PCT/US2004/025746
- (22) International Filing Date: 9 August 2004 (09.08.2004)
- (25) Filing Language: English
- (26) Publication Language: English
- (30) Priority Data:
10/644,313 20 August 2003 (20.08.2003) US
- (71) Applicants and
- (72) Inventors: WOOSTER, Peter, C. [US/US]; 13538 E. Bloomfield Drive, Scottsdale, AZ 85259 (US). VELASQUEZ, Joseph, "Pepe", Elijo [US/US]; PMB 604, 3370 N. Hayden Road #123, Scottsdale, AZ 85251 (US). REED, Daniel [US/US]; 9648 E. Lobo Avenue, Mesa, AZ 85212 (US). BLUE, Kenneth, L. [US/US]; 7349 Via Paseo Del Sur., Ste 193, Scottsdale, AZ 85258 (US). SMITH, Robert, Van Arlen [US/US]; 13538 East Bloomfield Drive, Scottsdale, AZ 85259 (US).
- (74) Agent: PARSONS, Robert, A.; 340 East Palm Lane, Suite 260, Phoenix, AZ 85004 (US).
- (81) Designated States (unless otherwise indicated, for every kind of national protection available): AE, AG, AL, AM,

AT, AU, AZ, BA, BB, BG, BR, BW, BY, BZ, CA, CH, CN, CO, CR, CU, CZ, DE, DK, DM, DZ, EC, EE, EG, ES, FI, GB, GD, GE, GH, GM, HR, HU, ID, IL, IN, IS, JP, KE, KG, KP, KR, KZ, LC, LK, LR, LS, LT, LU, LV, MA, MD, MG, MK, MN, MW, MX, MZ, NA, NI, NO, NZ, OM, PG, PH, PL, PT, RO, RU, SC, SD, SE, SG, SK, SL, SY, TJ, TM, TN, TR, TT, TZ, UA, UG, US, UZ, VC, VN, YU, ZA, ZM, ZW.

(84) Designated States (unless otherwise indicated, for every kind of regional protection available): ARIPO (BW, GH, GM, KE, LS, MW, MZ, NA, SD, SL, SZ, TZ, UG, ZM, ZW), Eurasian (AM, AZ, BY, KG, KZ, MD, RU, TJ, TM), European (AT, BE, BG, CH, CY, CZ, DE, DK, EE, ES, FI, FR, GB, GR, HU, IE, IT, LU, MC, NL, PL, PT, RO, SE, SI, SK, TR), OAPI (BF, BJ, CF, CG, CI, CM, GA, GN, GQ, GW, ML, MR, NE, SN, TD, TG).

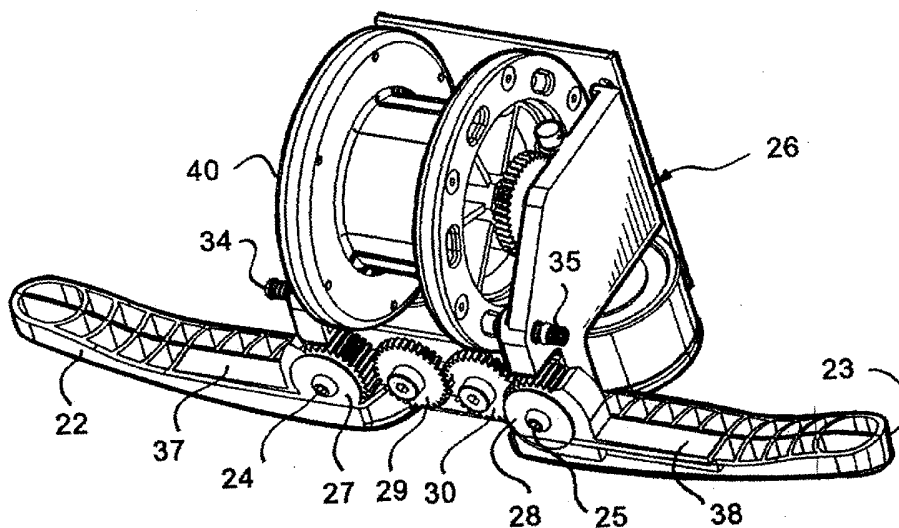
Published:

- with international search report
- before the expiration of the time limit for amending the claims and to be republished in the event of receipt of amendments

(88) Date of publication of the international search report:
18 May 2006

[Continued on next page]

(54) Title: EVACUATION DEVICE WITH RELEASING HANDLES



(57) Abstract: An emergency evacuation device includes a housing enclosing a mounting structure. A spool assembly is mounted on the mounting structure within the housing, the spool assembly includes a rotatably mounted spool designed to receive a length of high tensile strength line. First and second centrifugal brakes are coupled to opposite sides of the spool for rotation with the spool and are constructed to maintain a rotation speed of the spool at a predetermined speed. A pair of spring biased locking pins are positioned adjacent opposite sides of the spool, each having a spool locking position and a spool unlocked position. A pair of handles is positioned to engage the locking pins and move them into the locking position when the handles are moved into a collapsed orientation and to disengage the locking pins when the handles are moved into an extended orientation.

WO 2005/018744 A3



For two-letter codes and other abbreviations, refer to the "Guidance Notes on Codes and Abbreviations" appearing at the beginning of each regular issue of the PCT Gazette.

INTERNATIONAL SEARCH REPORT

International application No.

PCT/US04/25746

<p>A. CLASSIFICATION OF SUBJECT MATTER IPC(8) : A62B 1/00 US CL : 182/239 According to International Patent Classification (IPC) or to both national classification and IPC</p>														
<p>B. FIELDS SEARCHED</p> <p>Minimum documentation searched (classification system followed by classification symbols) U.S. : 182/231-240,71-73.</p> <p>Documentation searched other than minimum documentation to the extent that such documents are included in the fields searched</p> <p>Electronic data base consulted during the international search (name of data base and, where practicable, search terms used)</p>														
<p>C. DOCUMENTS CONSIDERED TO BE RELEVANT</p> <table border="1"> <thead> <tr> <th>Category *</th> <th>Citation of document, with indication, where appropriate, of the relevant passages</th> <th>Relevant to claim No.</th> </tr> </thead> <tbody> <tr> <td>X --- Y</td> <td>US,4,729,454 A (Barelli et al) 08 March 1988 (08.03.1988), see entire document.</td> <td>1,5,7-18 ----- 19-22</td> </tr> <tr> <td>X --- Y</td> <td>US, 1,016,299 A (Snyder) 06 February 1912 (06.02.1912), see entire document.</td> <td>1-3,5 ----- 4,6</td> </tr> <tr> <td>Y</td> <td>US, 0,849,221 A (Engel) 02 April 1907 (02.04.1907), see entire document.</td> <td>4,6,19-22</td> </tr> </tbody> </table>			Category *	Citation of document, with indication, where appropriate, of the relevant passages	Relevant to claim No.	X --- Y	US,4,729,454 A (Barelli et al) 08 March 1988 (08.03.1988), see entire document.	1,5,7-18 ----- 19-22	X --- Y	US, 1,016,299 A (Snyder) 06 February 1912 (06.02.1912), see entire document.	1-3,5 ----- 4,6	Y	US, 0,849,221 A (Engel) 02 April 1907 (02.04.1907), see entire document.	4,6,19-22
Category *	Citation of document, with indication, where appropriate, of the relevant passages	Relevant to claim No.												
X --- Y	US,4,729,454 A (Barelli et al) 08 March 1988 (08.03.1988), see entire document.	1,5,7-18 ----- 19-22												
X --- Y	US, 1,016,299 A (Snyder) 06 February 1912 (06.02.1912), see entire document.	1-3,5 ----- 4,6												
Y	US, 0,849,221 A (Engel) 02 April 1907 (02.04.1907), see entire document.	4,6,19-22												
<p><input type="checkbox"/> Further documents are listed in the continuation of Box C. <input type="checkbox"/> See patent family annex.</p>														
<p>* Special categories of cited documents:</p> <table border="0"> <tr> <td>"A" document defining the general state of the art which is not considered to be of particular relevance</td> <td>"T" later document published after the international filing date or priority date and not in conflict with the application but cited to understand the principle or theory underlying the invention</td> </tr> <tr> <td>"E" earlier application or patent published on or after the international filing date</td> <td>"X" document of particular relevance; the claimed invention cannot be considered novel or cannot be considered to involve an inventive step when the document is taken alone</td> </tr> <tr> <td>"L" document which may throw doubts on priority claim(s) or which is cited to establish the publication date of another citation or other special reason (as specified)</td> <td>"Y" document of particular relevance; the claimed invention cannot be considered to involve an inventive step when the document is combined with one or more other such documents, such combination being obvious to a person skilled in the art</td> </tr> <tr> <td>"O" document referring to an oral disclosure, use, exhibition or other means</td> <td>"&" document member of the same patent family</td> </tr> <tr> <td>"P" document published prior to the international filing date but later than the priority date claimed</td> <td></td> </tr> </table>			"A" document defining the general state of the art which is not considered to be of particular relevance	"T" later document published after the international filing date or priority date and not in conflict with the application but cited to understand the principle or theory underlying the invention	"E" earlier application or patent published on or after the international filing date	"X" document of particular relevance; the claimed invention cannot be considered novel or cannot be considered to involve an inventive step when the document is taken alone	"L" document which may throw doubts on priority claim(s) or which is cited to establish the publication date of another citation or other special reason (as specified)	"Y" document of particular relevance; the claimed invention cannot be considered to involve an inventive step when the document is combined with one or more other such documents, such combination being obvious to a person skilled in the art	"O" document referring to an oral disclosure, use, exhibition or other means	"&" document member of the same patent family	"P" document published prior to the international filing date but later than the priority date claimed			
"A" document defining the general state of the art which is not considered to be of particular relevance	"T" later document published after the international filing date or priority date and not in conflict with the application but cited to understand the principle or theory underlying the invention													
"E" earlier application or patent published on or after the international filing date	"X" document of particular relevance; the claimed invention cannot be considered novel or cannot be considered to involve an inventive step when the document is taken alone													
"L" document which may throw doubts on priority claim(s) or which is cited to establish the publication date of another citation or other special reason (as specified)	"Y" document of particular relevance; the claimed invention cannot be considered to involve an inventive step when the document is combined with one or more other such documents, such combination being obvious to a person skilled in the art													
"O" document referring to an oral disclosure, use, exhibition or other means	"&" document member of the same patent family													
"P" document published prior to the international filing date but later than the priority date claimed														
<p>Date of the actual completion of the international search 31 January 2006 (31.01.2006)</p>		<p>Date of mailing of the international search report 16 MAR 2006</p>												
<p>Name and mailing address of the ISA/US Mail Stop PCT, Attn: ISA/US Commissioner for Patents P.O. Box 1450 Alexandria, Virginia 22313-1450 Facsimile No. (571) 273-3201</p>		<p>Authorized officer <i>O. Wildermuth for</i> Alvin C. Chin-Shue Telephone No. 571-272-3600</p>												