



US00D899428S

(12) **United States Design Patent**  
**Shen**

(10) **Patent No.:** **US D899,428 S**

(45) **Date of Patent:** **\*\* Oct. 20, 2020**

(54) **CONNECTOR**

(71) Applicant: **TIMOTION TECHNOLOGY CO., LTD.**, New Taipei (TW)

(72) Inventor: **Bo-Yen Shen**, New Taipei (TW)

(73) Assignee: **TIMOTION TECHNOLOGY CO., LTD.**, New Taipei (TW)

(\*\*) Term: **15 Years**

(21) Appl. No.: **29/679,295**

(22) Filed: **Feb. 4, 2019**

(51) **LOC (12) Cl.** ..... **14-02**

(52) **U.S. Cl.**  
USPC ..... **D14/433**; D14/435.1; D13/133

(58) **Field of Classification Search**  
USPC ..... D14/432, 433, 435, 435.1, 436, 439, D14/480.1–480.7, 474, 483, 484.1, D14/203.1–203.6, 240, 242; D13/133, D13/153, 154, 147  
CPC ..... H05K 5/0278; G06K 19/07732; H01R 27/00; H01R 27/02; H01R 31/06  
See application file for complete search history.

(56) **References Cited**

**U.S. PATENT DOCUMENTS**

D537,820	S *	3/2007	Hsu	.....	D14/480.1
D544,479	S *	6/2007	Chen	.....	D14/480.4
7,422,454	B1 *	9/2008	Tang	.....	H01R 13/6658 439/131
D579,934	S *	11/2008	Okamoto	.....	D14/435.1
D589,455	S *	3/2009	Wu	.....	D13/147
D595,223	S *	6/2009	Yamamoto	.....	D13/108
D601,093	S *	9/2009	Wu	.....	D13/147

D616,449	S *	5/2010	Lo	.....	D14/480.7
D620,017	S *	7/2010	Lo	.....	D14/480.7
7,990,698	B2 *	8/2011	Lo	.....	H05K 5/0278 361/679.4
D711,891	S *	8/2014	Emami	.....	D14/480.5
D736,702	S *	8/2015	Ovadia	.....	D13/108
D759,027	S *	6/2016	Magi	.....	D14/480.1
D852,160	S *	6/2019	Chen	.....	D14/147
D878,383	S *	3/2020	McEuen	.....	D14/480.5
D883,215	S *	5/2020	Wang	.....	D13/133
D885,333	S *	5/2020	von Badinski	.....	D13/108
D892,749	S *	8/2020	Ferraris	.....	D13/153
D894,126	S *	8/2020	Somanathapura Ramanna	.....	D13/133

\* cited by examiner

*Primary Examiner* — Angela J Lee

*Assistant Examiner* — Rebekah A Caruso

(74) *Attorney, Agent, or Firm* — Chun-Ming Shih; HDLS IPR Services

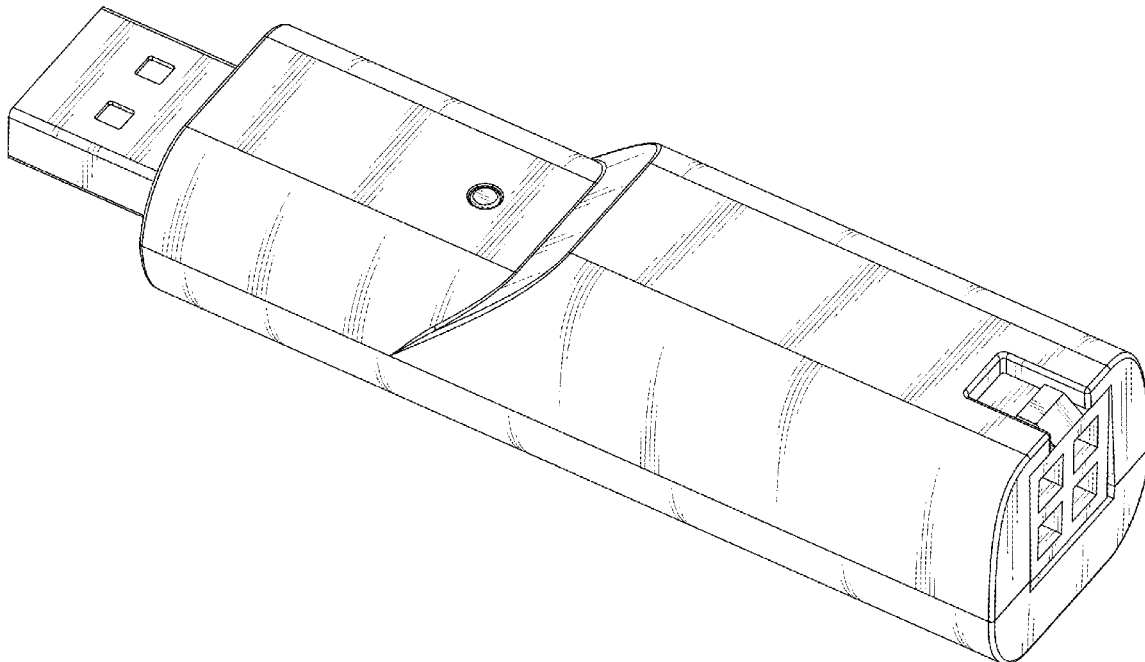
(57) **CLAIM**

The ornamental design for a connector, as shown and described.

**DESCRIPTION**

FIG. 1 is a perspective view of a connector showing my new design;  
FIG. 2 is a front view thereof;  
FIG. 3 is a rear view thereof;  
FIG. 4 is a left side view thereof;  
FIG. 5 is a right side view thereof;  
FIG. 6 is a top view thereof;  
FIG. 7 is a bottom view thereof; and,  
FIG. 8 is second perspective view showing the connector.

**1 Claim, 8 Drawing Sheets**



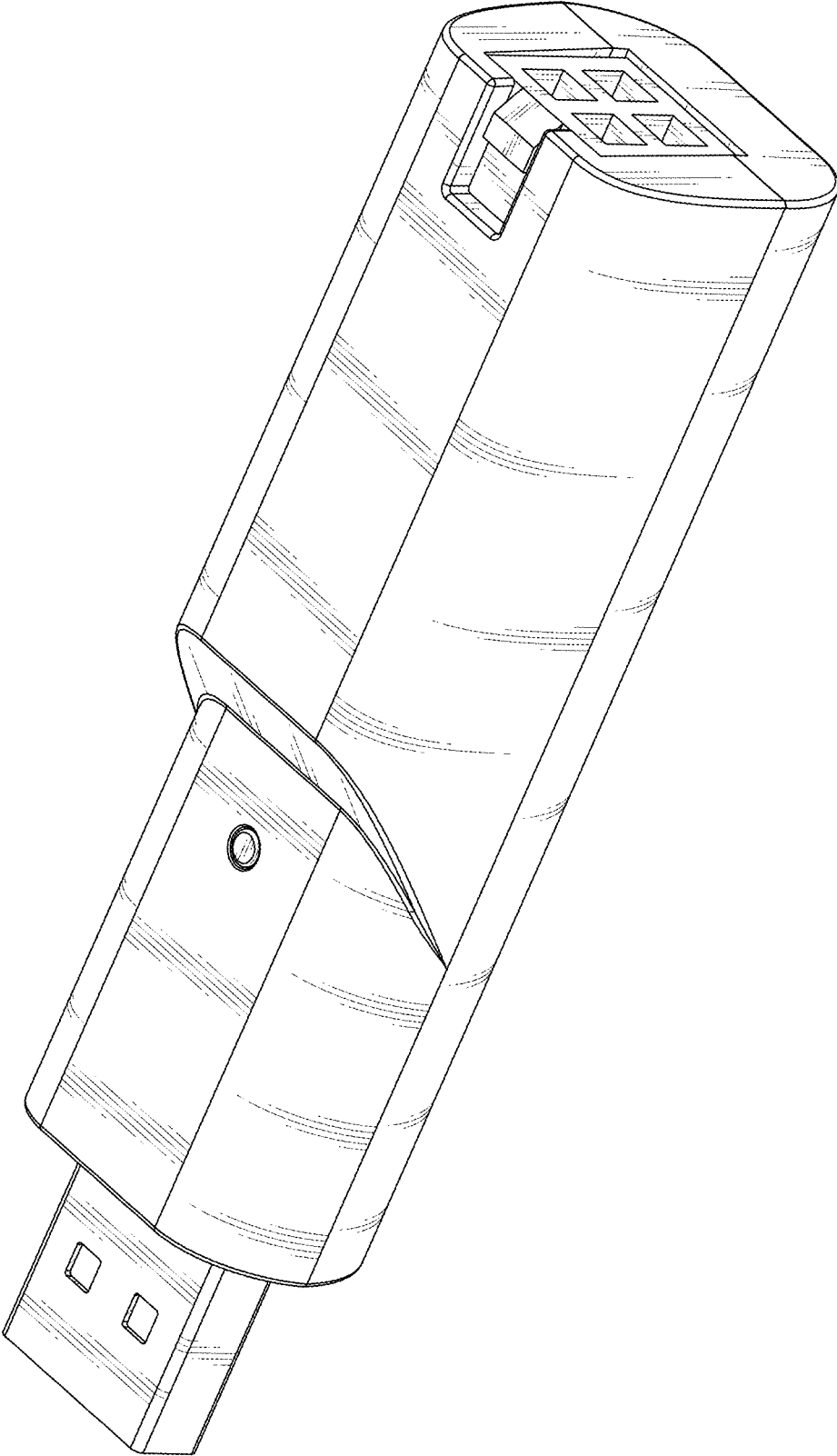


FIG.1

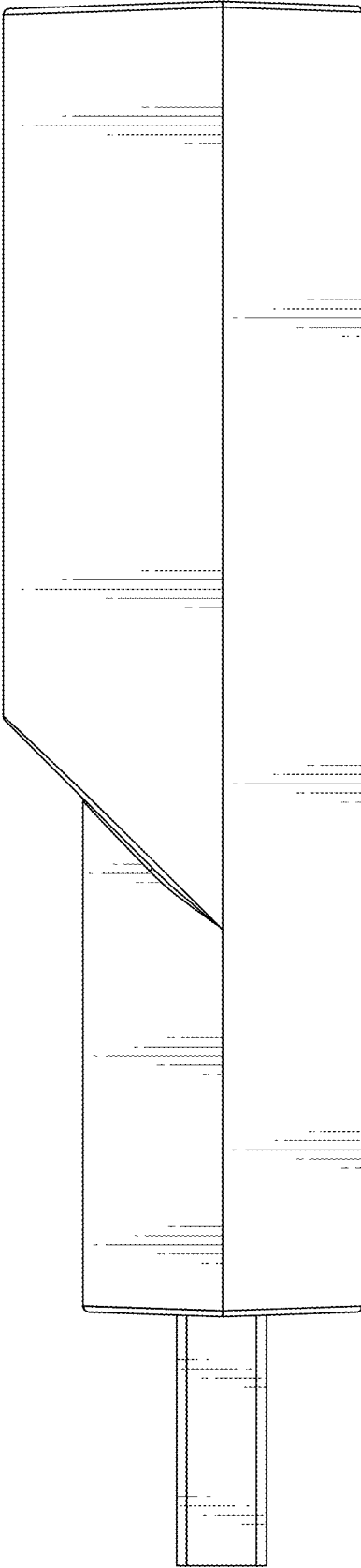


FIG.2

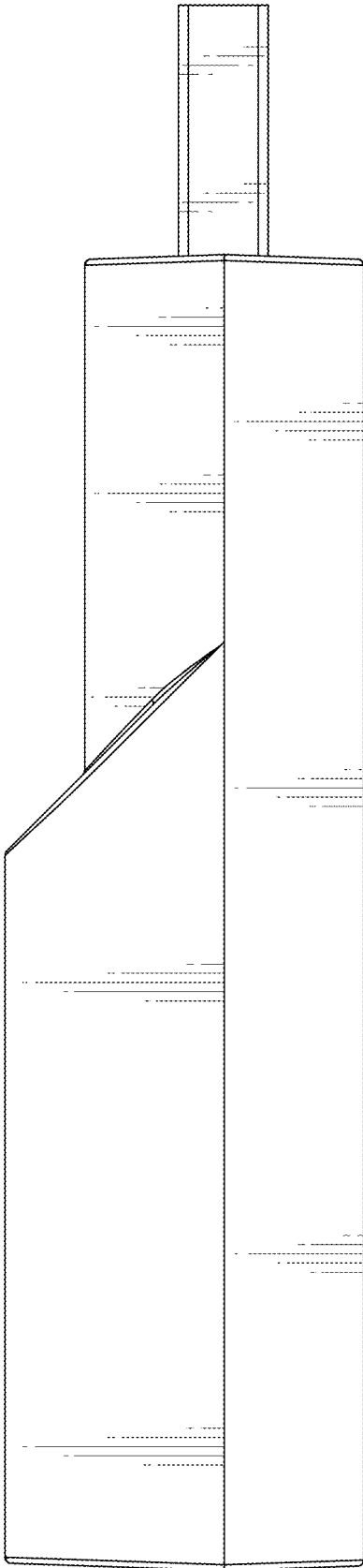


FIG.3

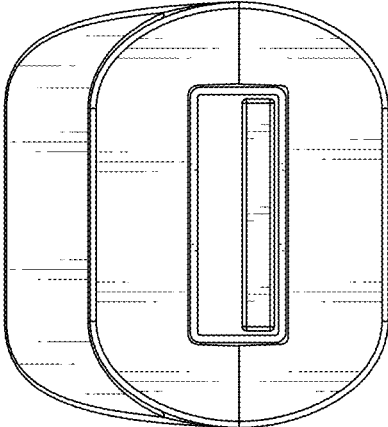


FIG.4

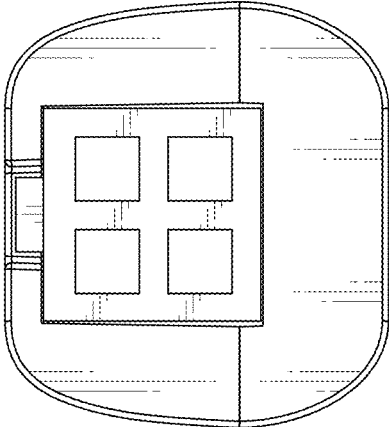


FIG. 5

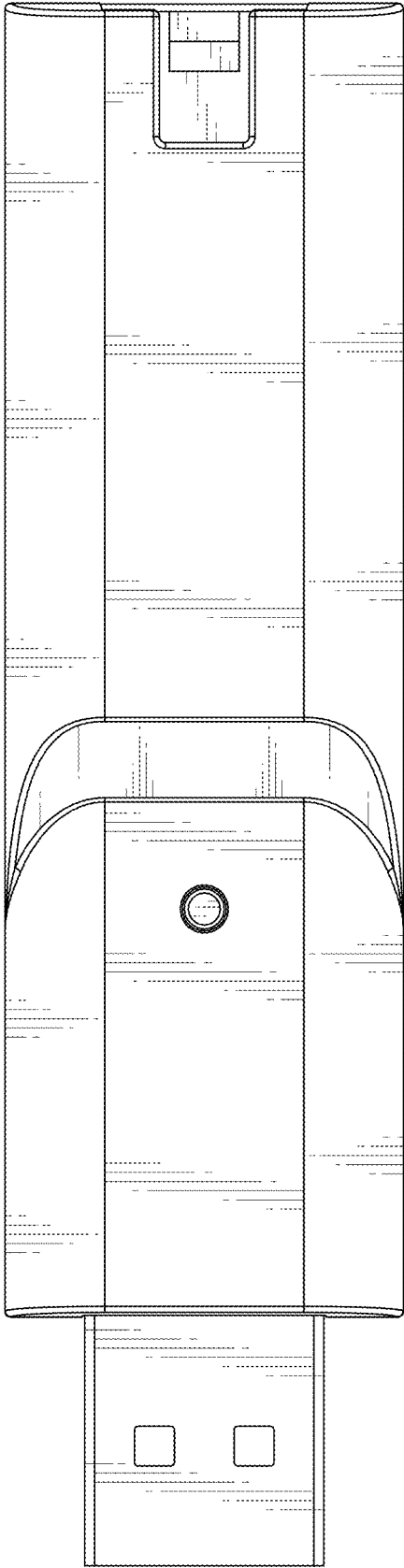


FIG.6

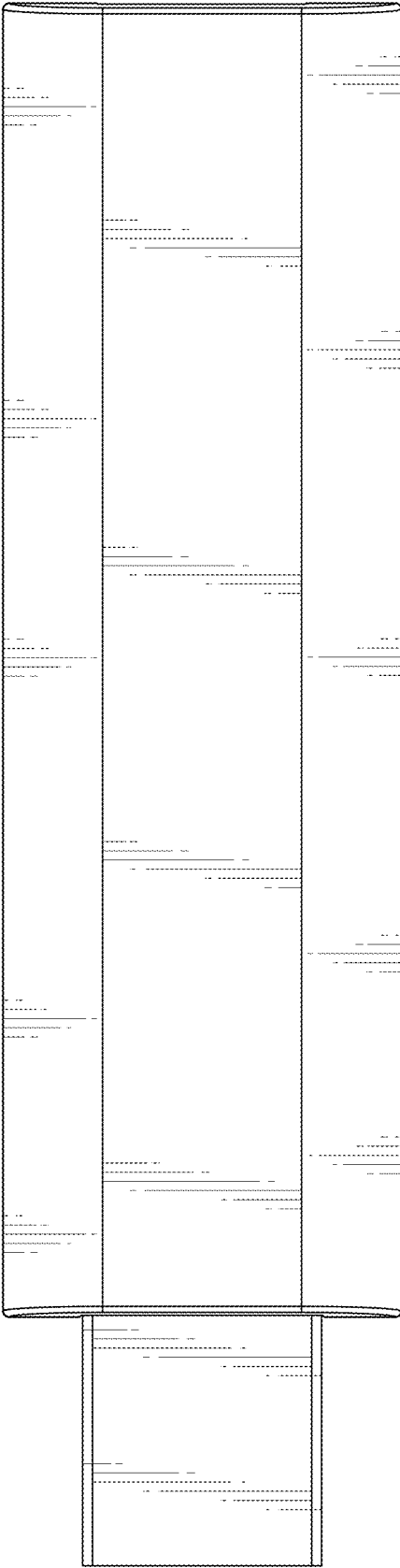


FIG.7

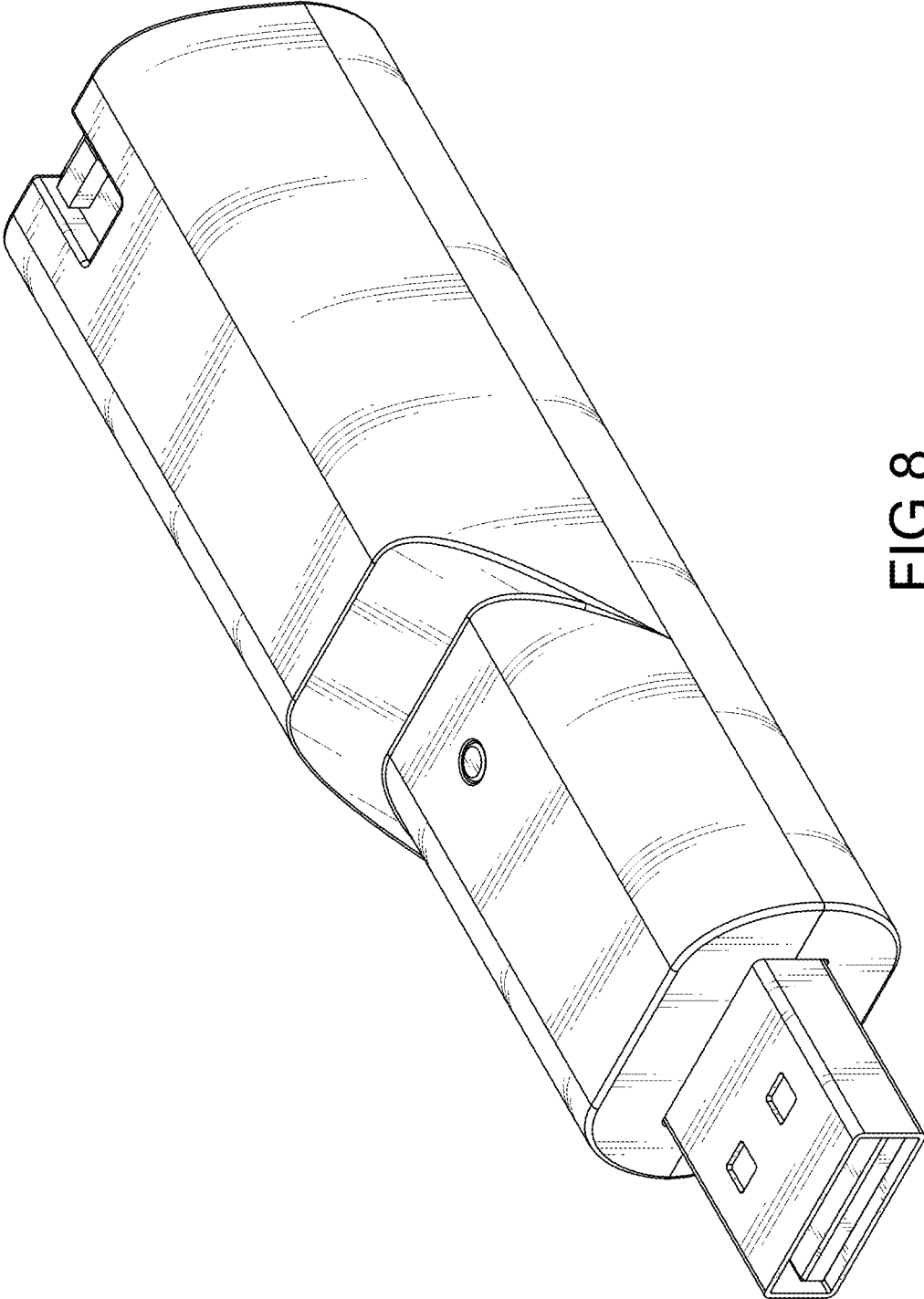


FIG.8