



US00D698286S

(12) **United States Design Patent**  
**Mason**

(10) **Patent No.:** **US D698,286 S**

(45) **Date of Patent:** **\*\* Jan. 28, 2014**

(54) **PINTLE LOCK**

(71) Applicant: **Gerald Stuart Mason**, Nanaimo (CA)

(72) Inventor: **Gerald Stuart Mason**, Nanaimo (CA)

(\*\*) Term: **14 Years**

(21) Appl. No.: **29/445,824**

(22) Filed: **Feb. 16, 2013**

(51) **LOC (10) CI.** ..... **12-16**

(52) **U.S. CI.**  
USPC ..... **D12/162**

(58) **Field of Classification Search**  
USPC ..... D12/162, 159, 160, 161; 56/DIG. 14;  
37/399; 280/406.2, 407, 407.1, 408,  
280/411.1, 416.1, 416.2, 416.3, 418, 418.1,  
280/433, 434, 435, 441.1, 441.2, 455.1,  
280/456.1, 480, 493, 504, 507, 508;  
224/42.11, 42.12, 42.14, 42.26, 400,  
224/401, 412, 413, 488, 494, 500-501, 519,  
224/537; 135/88.05; 150/166

See application file for complete search history.

(56) **References Cited**

U.S. PATENT DOCUMENTS

5,549,316 A *	8/1996	Jones	.....	280/477
D486,763 S *	2/2004	Nunez	.....	D12/160
D620,403 S *	7/2010	Blankenship et al.	.....	D12/162
D623,099 S *	9/2010	Wise	.....	D12/162
D688,171 S *	8/2013	Cirino	.....	D12/162
2004/0032112 A1 *	2/2004	Reese et al.	.....	280/477

\* cited by examiner

*Primary Examiner* — Katrina A Betton

(74) *Attorney, Agent, or Firm* — Greg L Martinez

(57) **CLAIM**

The ornamental design for a pintle lock, as shown and described.

**DESCRIPTION**

FIG. 1 is a top front perspective view of a pintle lock.  
FIG. 2 is a top rear perspective view of the pintle lock of FIG. 1.  
FIG. 3 is a front view of the pintle lock of FIG. 1.  
FIG. 4 is a right side view of the pintle lock of FIG. 1.  
FIG. 5 is a back view of the pintle lock of FIG. 1.  
FIG. 6 is a left side view of the pintle lock of FIG. 1; and,  
FIG. 7 is a top view of the pintle lock of FIG. 1.

**1 Claim, 7 Drawing Sheets**

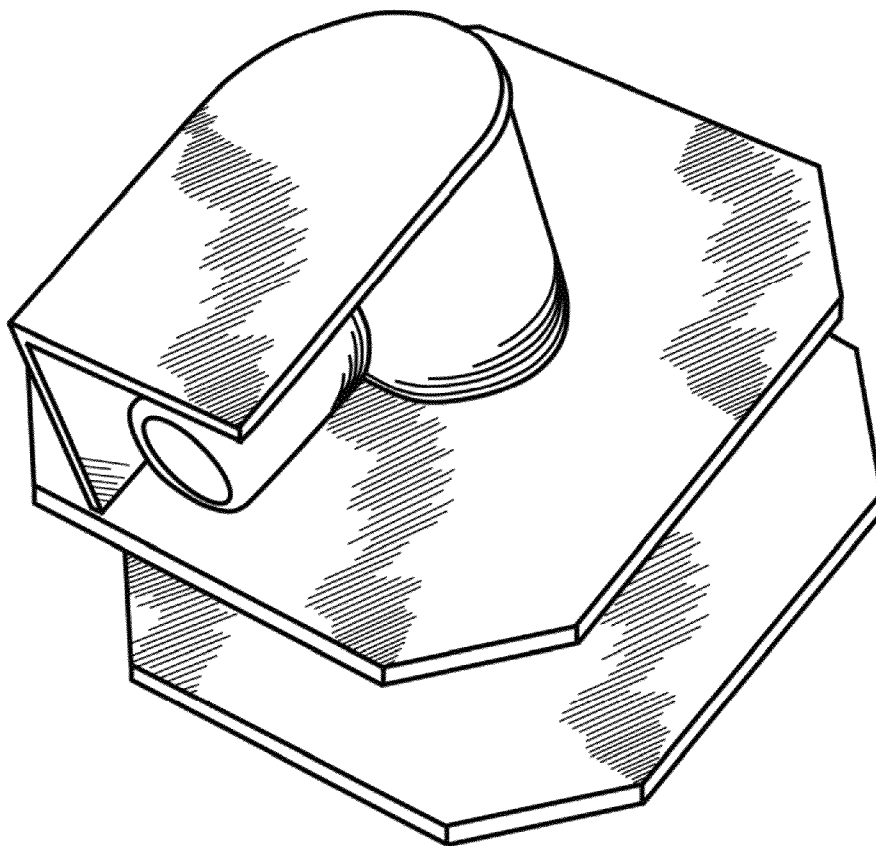


FIG. 1

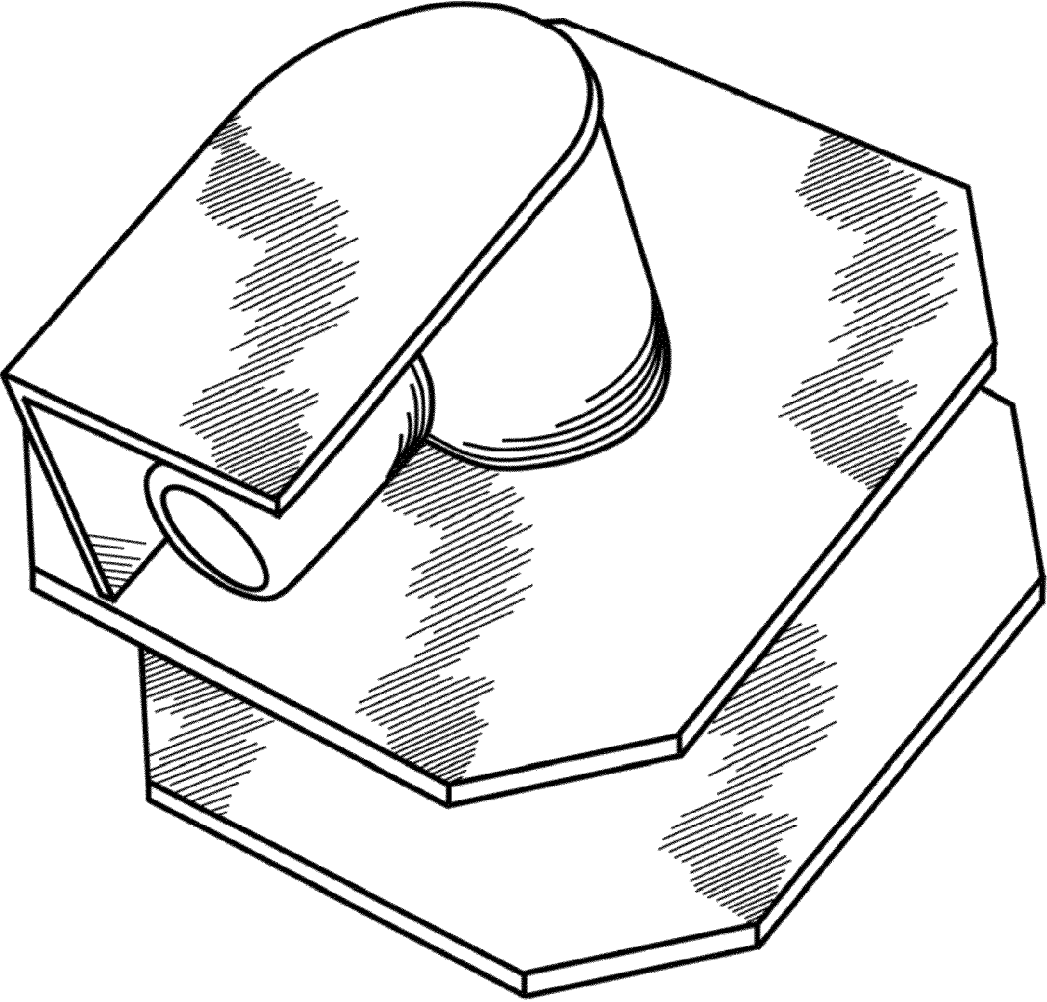


FIG. 2

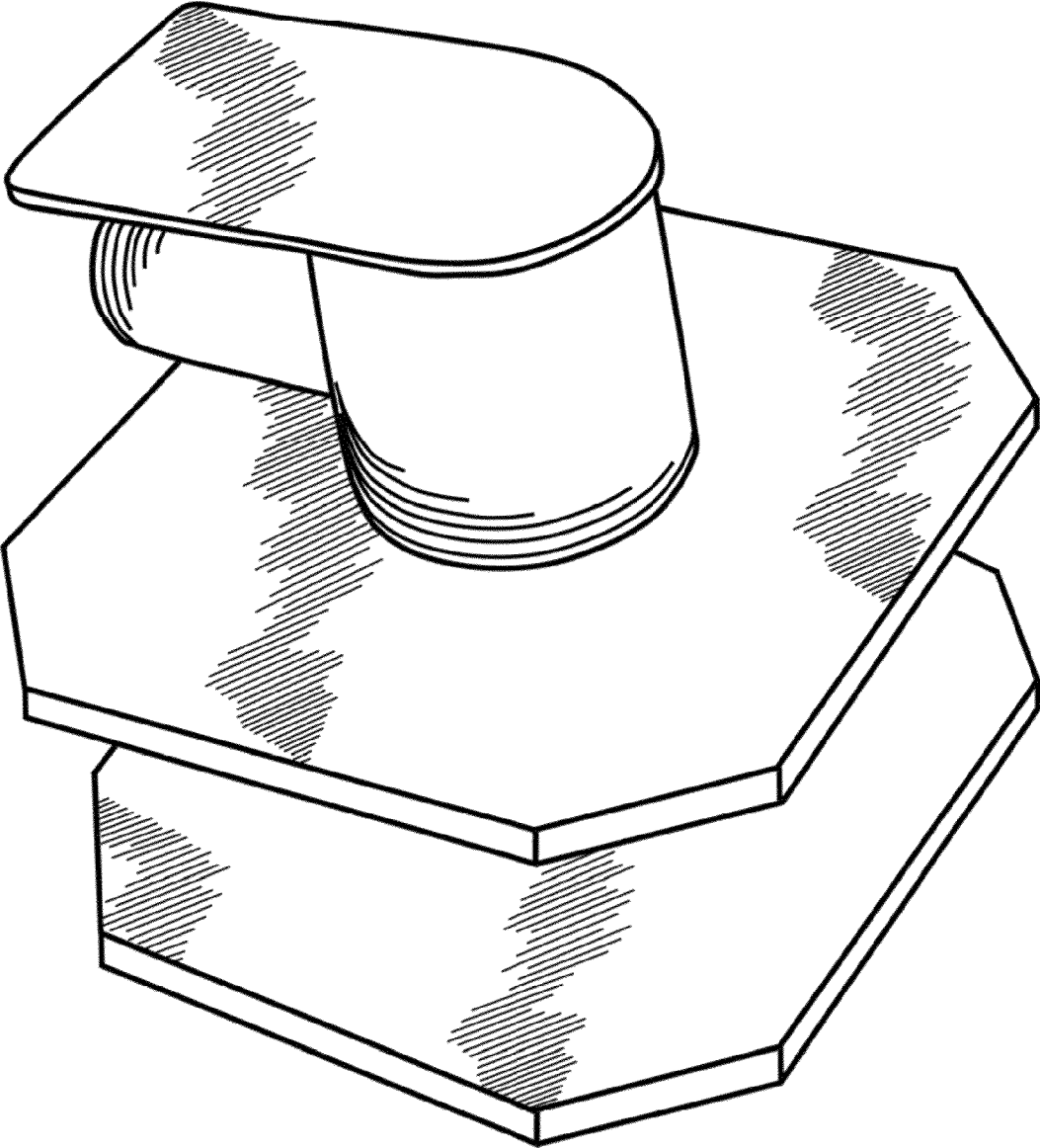


FIG. 3

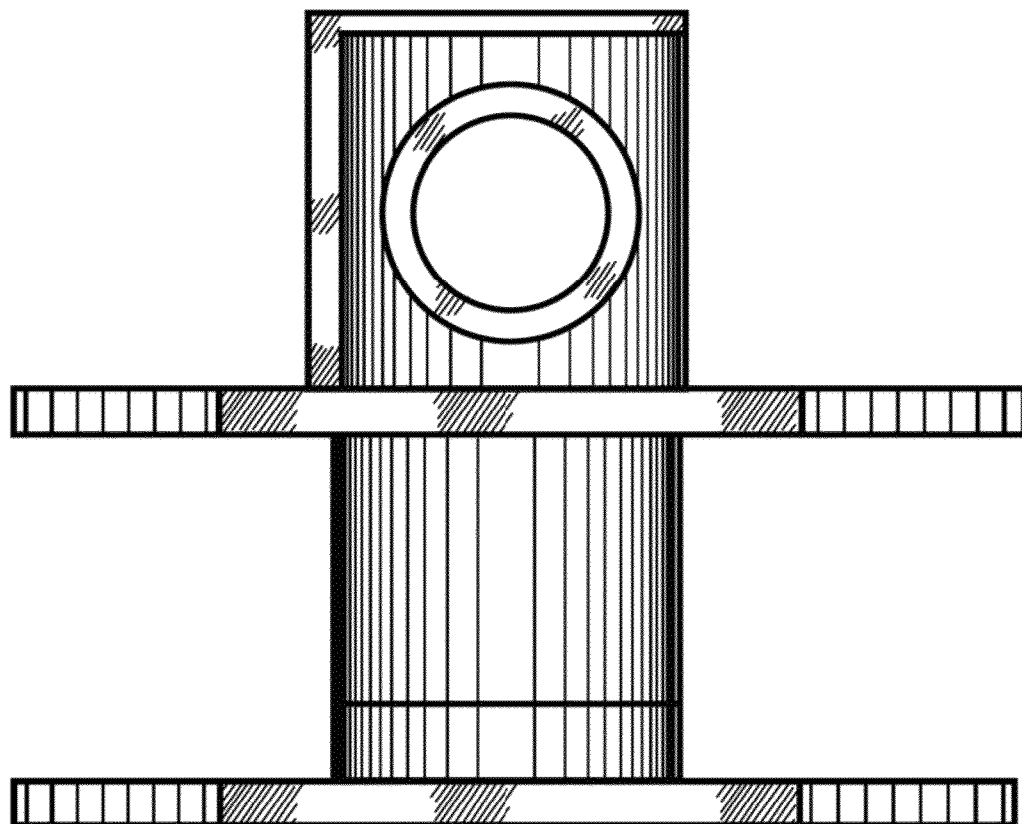


FIG. 4

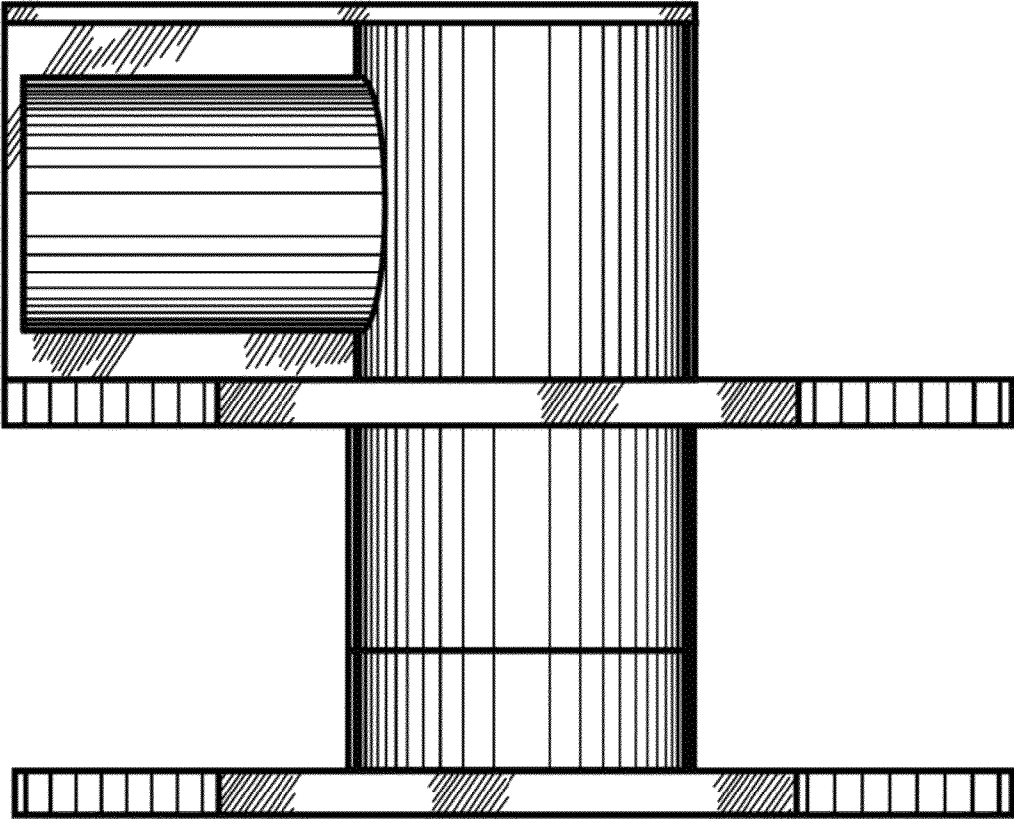


FIG. 5

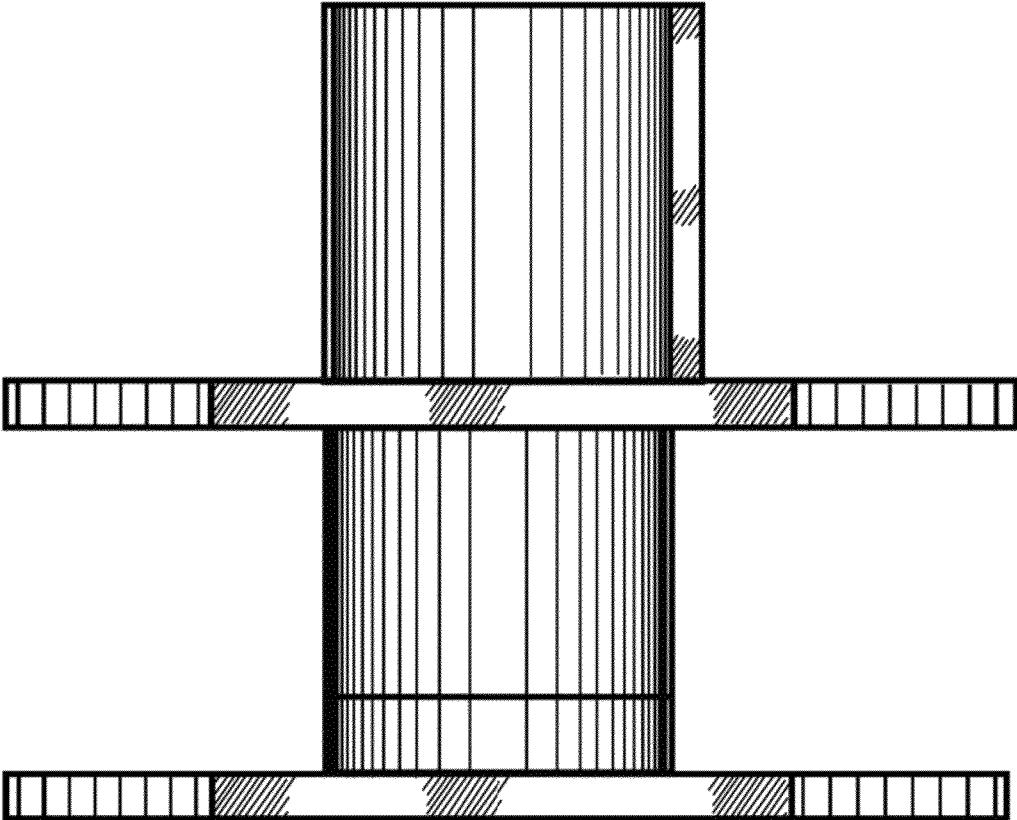


FIG. 6

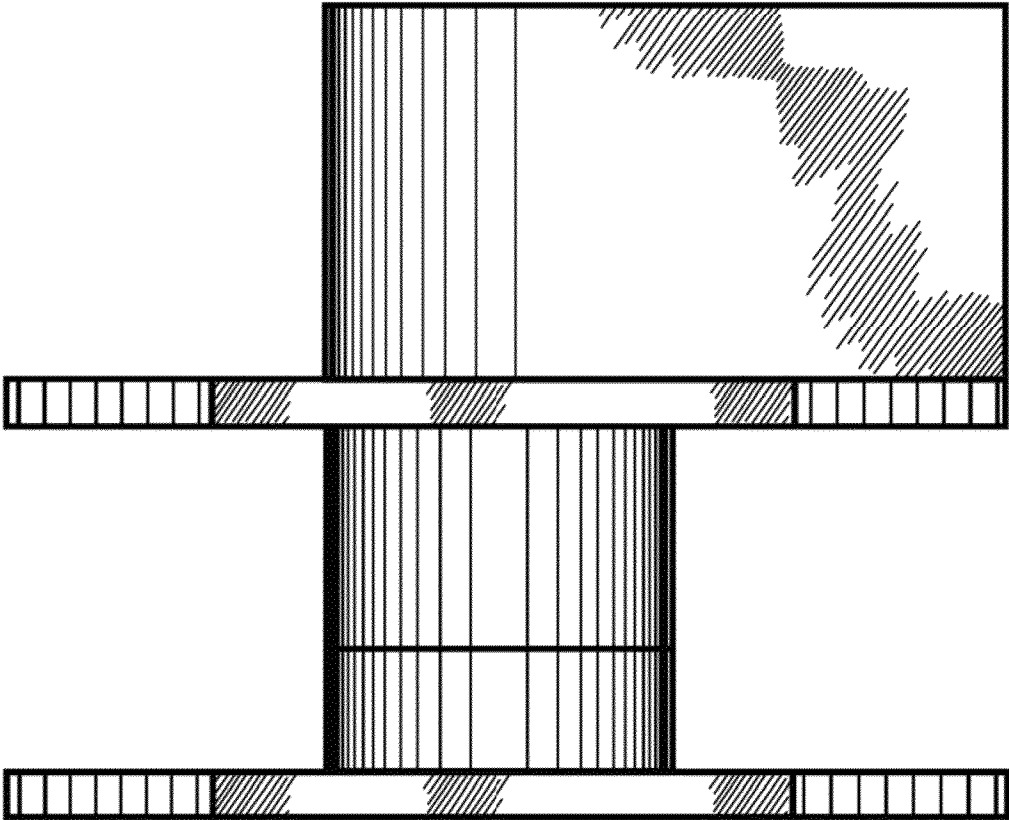


FIG. 7

