

(19) World Intellectual Property Organization
International Bureau



(43) International Publication Date
14 July 2005 (14.07.2005)

PCT

(10) International Publication Number
WO 2005/062823 A3

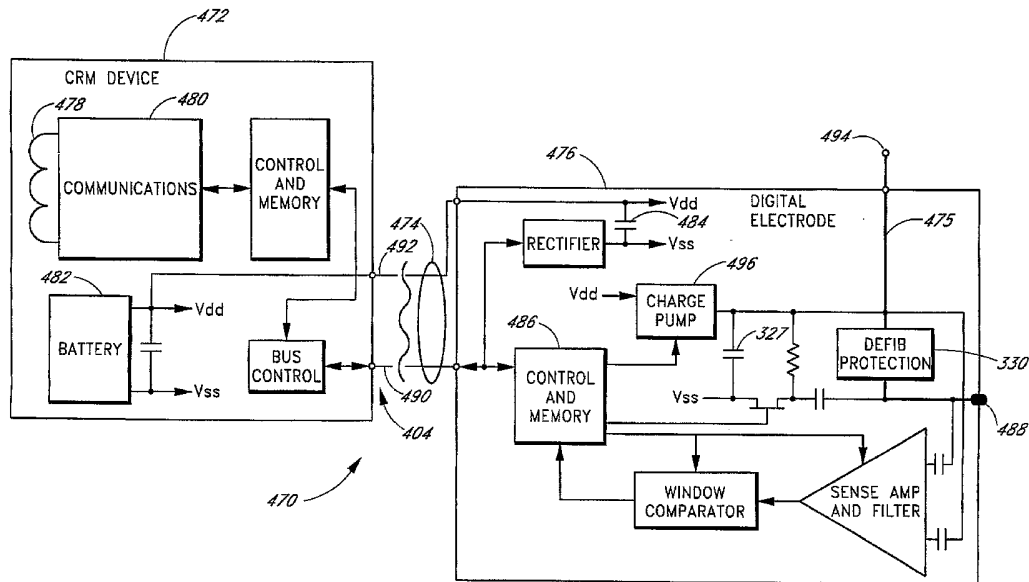
- (51) International Patent Classification:
A61N 1/18 (2006.01)
- (21) International Application Number:
PCT/US2004/042694
- (22) International Filing Date:
17 December 2004 (17.12.2004)
- (25) Filing Language: English
- (26) Publication Language: English
- (30) Priority Data:
60/531,238 19 December 2003 (19.12.2003) US
- (71) Applicant (for all designated States except US): **SAVACOR, INC.** [US/US]; 10780 Santa Monica Blvd., Suite 401, Los Angeles, CA 90025 (US).
- (72) Inventors; and
- (75) Inventors/Applicants (for US only): **MANN, Brian** [US/US]; 9918 Anthony Place, Beverly Hills, CA 90210 (US). **WHITING, James, S.** [US/US]; 3318 Mountain View Avenue, Los Angeles, CA 90066-1930 (US). **EIGLER, Neal, L.** [US/US]; 459 Surfview Drive, Pacific Palisades, CA 90272 (US).
- (74) Agent: **DELANEY, Karoline, A.**; Knobbe, Martens, Olson & Bear, LLP, 2040 Main Street, 14th Floor, Irvine, CA 92614 (US).

- (81) Designated States (unless otherwise indicated, for every kind of national protection available): AE, AG, AL, AM, AT, AU, AZ, BA, BB, BG, BR, BW, BY, BZ, CA, CH, CN, CO, CR, CU, CZ, DE, DK, DM, DZ, EC, EE, EG, ES, FI, GB, GD, GE, GH, GM, HR, HU, ID, IL, IN, IS, JP, KE, KG, KP, KR, KZ, LC, LK, LR, LS, LT, LU, LV, MA, MD, MG, MK, MN, MW, MX, MZ, NA, NI, NO, NZ, OM, PG, PH, PL, PT, RO, RU, SC, SD, SE, SG, SK, SL, SM, SY, TJ, TM, TN, TR, TT, TZ, UA, UG, US, UZ, VC, VN, YU, ZA, ZM, ZW.
- (84) Designated States (unless otherwise indicated, for every kind of regional protection available): ARIPO (BW, GH, GM, KE, LS, MW, MZ, NA, SD, SL, SZ, TZ, UG, ZM, ZW), Eurasian (AM, AZ, BY, KG, KZ, MD, RU, TJ, TM), European (AT, BE, BG, CH, CY, CZ, DE, DK, EE, ES, FI, FR, GB, GR, HU, IE, IS, IT, LT, LU, MC, NL, PL, PT, RO, SE, SI, SK, TR), OAPI (BF, BJ, CF, CG, CI, CM, GA, GN, GQ, GW, ML, MR, NE, SN, TD, TG).

- Published:**
- with international search report
 - before the expiration of the time limit for amending the claims and to be republished in the event of receipt of amendments

[Continued on next page]

(54) Title: DIGITAL ELECTRODE FOR CARDIAC RHYTHM MANAGEMENT



(57) Abstract: A cardiac rhythm management apparatus includes a proximal housing, a distal housing and a lead. The proximal housing includes a first energy storage device. The distal module is implantable within a patient's heart, and includes a second energy storage device, at least one electrode, and a control module. The control module controls the delivery of at least one electrical stimulus from the second energy storage device to a location in communication with the patient's heart. The lead connects the proximal housing to the distal module and is configured to communicate one or more digital signals between the proximal housing and the distal module.

WO 2005/062823 A3



(88) Date of publication of the international search report:

26 May 2006

For two-letter codes and other abbreviations, refer to the "Guidance Notes on Codes and Abbreviations" appearing at the beginning of each regular issue of the PCT Gazette.

INTERNATIONAL SEARCH REPORT

International application No.

PCT/US04/42694

A. CLASSIFICATION OF SUBJECT MATTER
 IPC: **A61N 1/18(2006.01)**

USPC: 607/33
 According to International Patent Classification (IPC) or to both national classification and IPC

B. FIELDS SEARCHED

Minimum documentation searched (classification system followed by classification symbols)
 U.S. : 607/33,32,60,116,119

Documentation searched other than minimum documentation to the extent that such documents are included in the fields searched

Electronic data base consulted during the international search (name of data base and, where practicable, search terms used)
 EAST

C. DOCUMENTS CONSIDERED TO BE RELEVANT


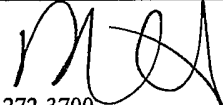
Category *	Citation of document, with indication, where appropriate, of the relevant passages	Relevant to claim No.
X	US 2002/0133200 A1 (Weiner et al) 19 September 2002 (19.09.2002), Figs. 1, 30, and 66-69; paragraph 0150; paragraph 0332, lines 6-10; paragraph 0368; paragraph 0162, lines 1-3; paragraph 0165, lines 1-4; paragraph 0161, lines 1-3; paragraph 0373, lines 10-18; paragraph 0374, lines 1-4; paragraphs 0155, 0338, 034, 0066, 0167, 0214, 0022, 0327, 0253-0254, 0173, 0166	1-6, 8, 10-11, 14-18, 20-21, 23-24, 26-27, 29-56
Y	US 5,749,909 A (Schroepfel et al) 12 May 1998 (12.05.1998), column 5, lines 10-12; column 7, lines 35-38.	7 and 12
Y	US 6,533,263 B1 (Meadows et al) 22 April 2003 (22.04.2003), column 1, lines 17-19, 23-26; column 17, lines 44-46.	9, 13, and 19
Y	US 5,324,327 A (Cohen) 28 June 1994 (28.06.1994, column 24, lines 51-53; Abstract, lines 3, 6-7, and 11-12.	22
Y	US 5,535,752 A (Halperin et al) 16 July 1996 (16.07.1996), column 15, lines 10-12; column 2, lines 27-28.	25 and 28

Further documents are listed in the continuation of Box C.

See patent family annex.

* Special categories of cited documents:	"T"	later document published after the international filing date or priority date and not in conflict with the application but cited to understand the principle or theory underlying the invention
"A" document defining the general state of the art which is not considered to be of particular relevance	"X"	document of particular relevance; the claimed invention cannot be considered novel or cannot be considered to involve an inventive step when the document is taken alone
"E" earlier application or patent published on or after the international filing date	"Y"	document of particular relevance; the claimed invention cannot be considered to involve an inventive step when the document is combined with one or more other such documents, such combination being obvious to a person skilled in the art
"L" document which may throw doubts on priority claim(s) or which is cited to establish the publication date of another citation or other special reason (as specified)	"&"	document member of the same patent family
"O" document referring to an oral disclosure, use, exhibition or other means		
"P" document published prior to the international filing date but later than the priority date claimed		

Date of the actual completion of the international search 21 February 2006 (21.02.2006)	Date of mailing of the international search report 30 MAR 2006
--	--

Name and mailing address of the ISA/US Mail Stop PCT, Attn: ISA/US Commissioner for Patents P.O. Box 1450 Alexandria, Virginia 22313-1450 Facsimile No. (571) 273-3201	Authorized officer  Angela Sykes Telephone No. (571) 272-3700 
---	--