



US00D623649S

(12) **United States Design Patent**
Claussen

(10) **Patent No.:** **US D623,649 S**

(45) **Date of Patent:** **** Sep. 14, 2010**

(54) **VIDEO GAME CONTROLLER**

(75) Inventor: **Seth A. Claussen**, Winter Park, FL (US)

(73) Assignee: **S.A.C. Consultancy**, Winter Park, FL (US)

(**) Term: **14 Years**

(21) Appl. No.: **29/364,509**

(22) Filed: **Jun. 24, 2010**

Related U.S. Application Data

(60) Continuation of application No. 29/352,973, filed on Dec. 30, 2009, now Pat. No. Des. 620,940, which is a continuation of application No. 29/342,439, filed on Aug. 25, 2009, now Pat. No. Des. 610,144, which is a division of application No. 29/323,654, filed on Aug. 28, 2008, now Pat. No. Des. 601,149.

(51) **LOC (9) Cl.** **14-02**

(52) **U.S. Cl.** **D14/401; D21/333**

(58) **Field of Classification Search** D14/217, D14/218, 356, 388, 399-401, 412-416, 432, D14/434, 454-457, 496; D21/324, 332, D21/333; 463/1, 30, 36-38, 46, 47; 345/156-161, 345/905; 273/148 B, 148 R

See application file for complete search history.

(56) **References Cited**

U.S. PATENT DOCUMENTS

D424,047 S 5/2000 Chan

(Continued)

FOREIGN PATENT DOCUMENTS

GB 2 244 546 A 12/1991

OTHER PUBLICATIONS

“66-MHz PowerPC 603 processor, a quat-speed CD-ROM drive, and two serial connectors” found at <http://www.byte.com/art/9603/img/036covf1.htm>, CMP Media, LLC © 2005 (2 pages).

(Continued)

Primary Examiner—Stella M Reid

Assistant Examiner—Keli L Hill

(74) *Attorney, Agent, or Firm*—Price, Heneveld, Cooper, DeWitt & Litton, LLP

(57) **CLAIM**

I claim the ornamental design for a video game controller, as shown and described.

DESCRIPTION

FIG. 1 is a top and back perspective view of a video game controller, in accordance with a first embodiment of the present invention;

FIG. 2 is a top plan view of a video game controller, in accordance with a first embodiment of the present invention;

FIG. 3 is a bottom plan view of a video game controller, in accordance with a first embodiment of the present invention;

FIG. 4 is a front plan view of a video game controller, in accordance with a first embodiment of the present invention;

FIG. 5 is a back plan view of a video game controller, in accordance with a first embodiment of the present invention;

FIG. 6 is a side plan view of a video game controller, in accordance with a first embodiment of the present invention;

FIG. 7 is a side plan view of a video game controller, in accordance with a first embodiment of the present invention;

FIG. 8 is a top and back perspective view of a video game controller, in accordance with a second embodiment of the present invention;

FIG. 9 is a top plan view of a video game controller, in accordance with a second embodiment of the present invention;

FIG. 10 is a bottom plan view of a video game controller, in accordance with a second embodiment of the present invention;

FIG. 11 is a front plan view of a video game controller, in accordance with a second embodiment of the present invention;

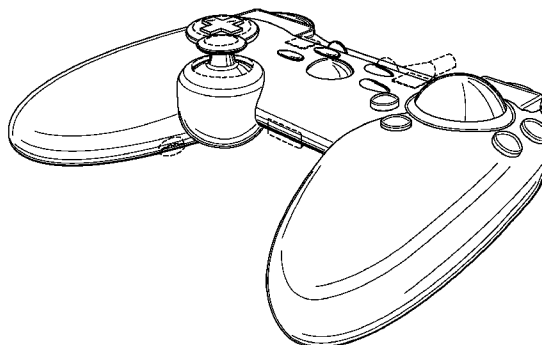
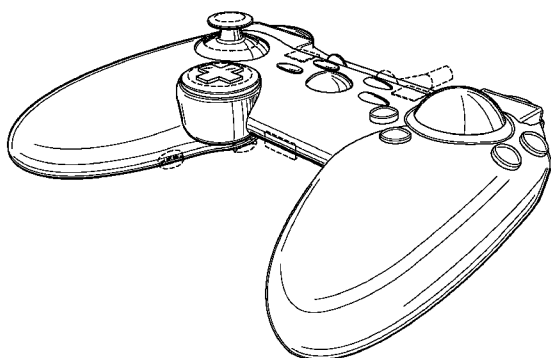
FIG. 12 is a back plan view of a video game controller, in accordance with a second embodiment of the present invention;

FIG. 13 is a side plan view of a video game controller, in accordance with a second embodiment of the present invention; and,

FIG. 14 is a side plan view of a video game controller, in accordance with a second embodiment of the present invention.

The broken lines represent the portions of the design that form no part of the claim.

1 Claim, 6 Drawing Sheets



U.S. PATENT DOCUMENTS

D434,769 S 12/2000 Goto
6,184,869 B1 2/2001 Harding et al.
D443,617 S 6/2001 Goto
D443,877 S 6/2001 Goto
6,394,904 B1 5/2002 Stalker
D465,221 S 11/2002 Hussaini et al.
D469,436 S 1/2003 Hussaini et al.
D469,766 S 2/2003 Hussaini et al.
D469,767 S 2/2003 Hussaini et al.
D491,183 S 6/2004 Swan et al.
D522,011 S 5/2006 Hayes et al.
D547,763 S 7/2007 Hayes et al.
D562,323 S 2/2008 Kutaragi et al.
D571,368 S 6/2008 Salter
D572,254 S 7/2008 Goto
D578,167 S 10/2008 Harris
D581,422 S 11/2008 Hayes et al.

2004/0041787 A1 3/2004 Graves
2005/0215321 A1 9/2005 Hussaini et al.
2006/0084504 A1 4/2006 Chan et al.
2007/0087837 A1 4/2007 Bradbury et al.

OTHER PUBLICATIONS

“Bandai Pippin Hardware and Software Information” found at <http://macgeek.org/museum/pippin/information.html>, Pearl City Networks, © 1997-2006 (2 pages).
“Bandai Pippin Image Archive” found at <http://macgeek.org/museum/pippin/photoalbum.html>, Pearl City Networks, © 1997-2006, (3 pages).
“Trackball Controllers for Xbox and PlayStation” found at <http://web.archive.org/web/20040924055123/trackball.modwest.com>, (2 pages).
“Gravis PC GamePad” found at http://en.wikipedia.org/wiki/Gravis_PC_GamePad, Wikimedia Foundation, Inc., Mar. 2004,(1 page).

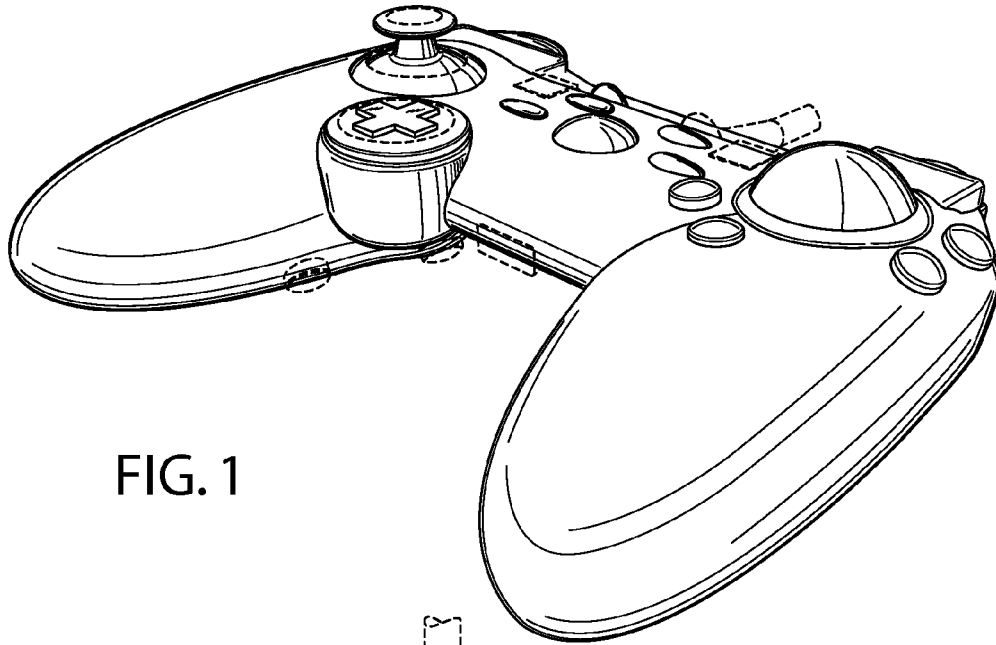


FIG. 1

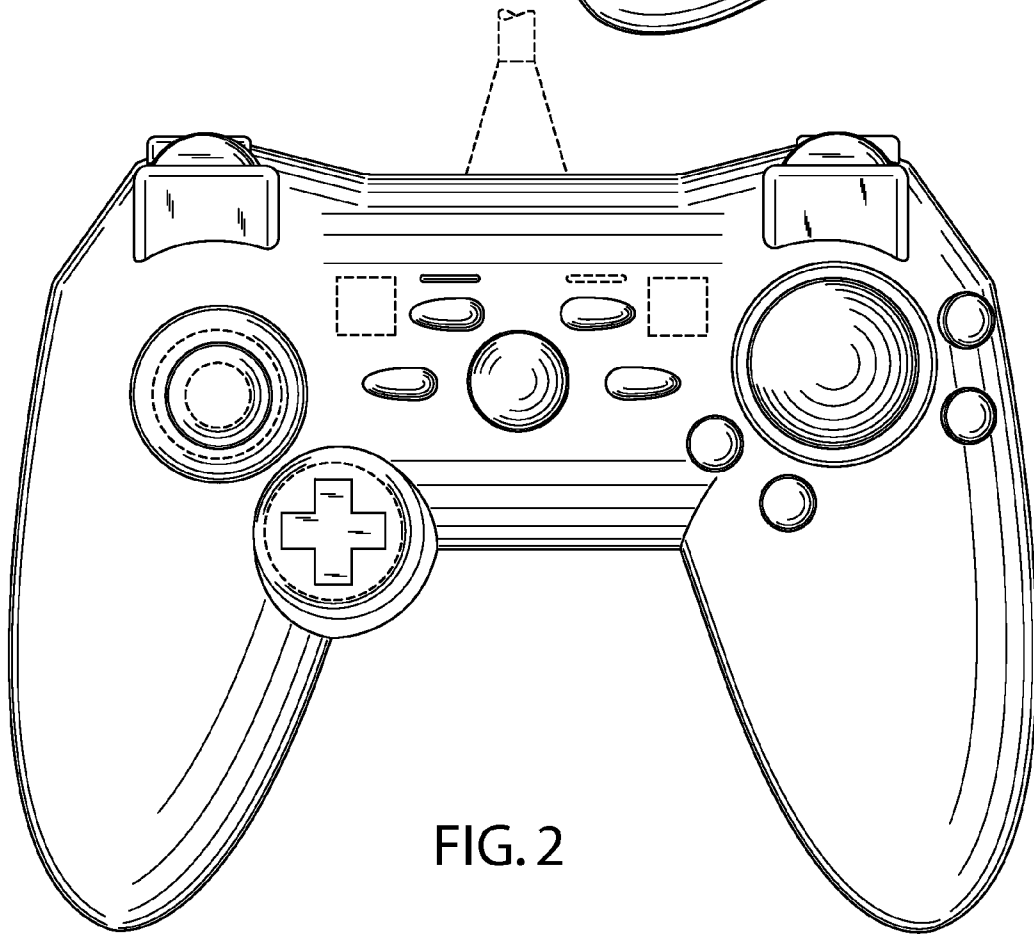


FIG. 2

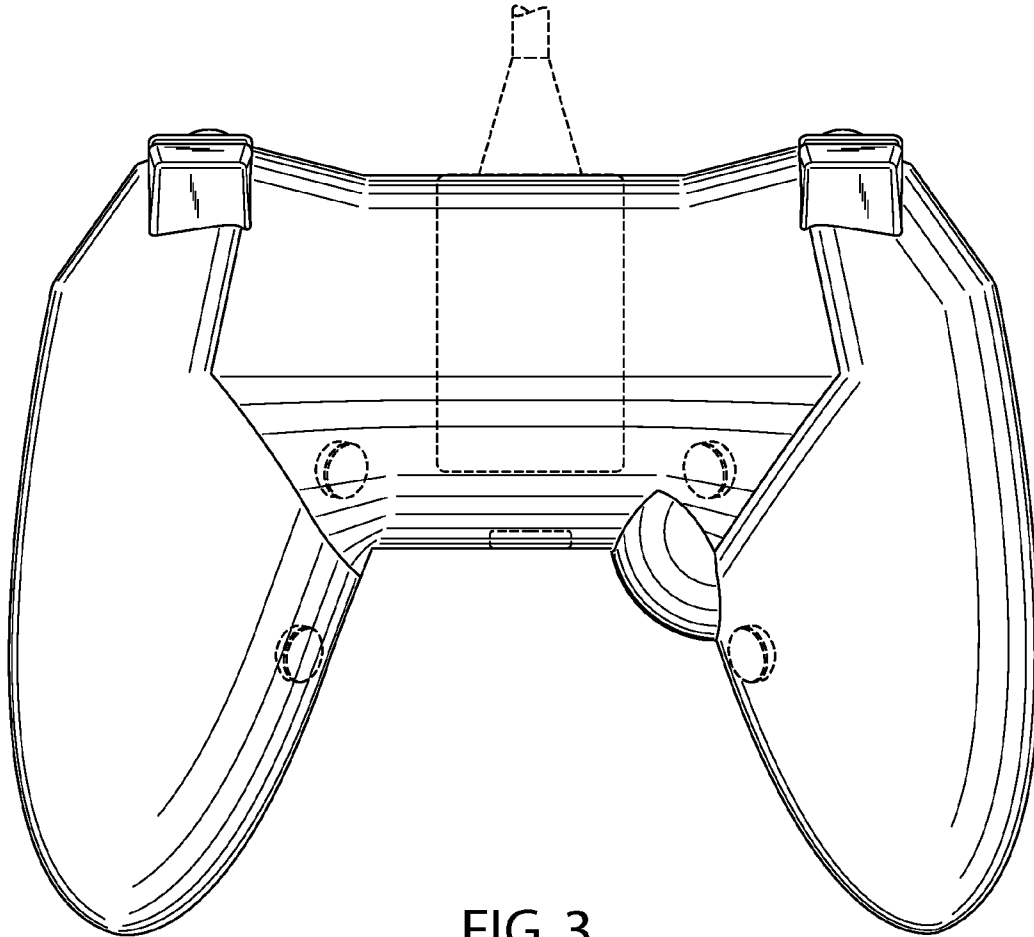


FIG. 3

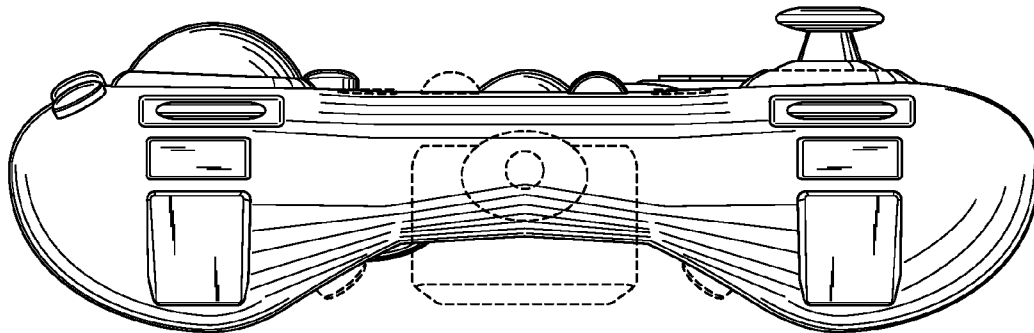


FIG. 4

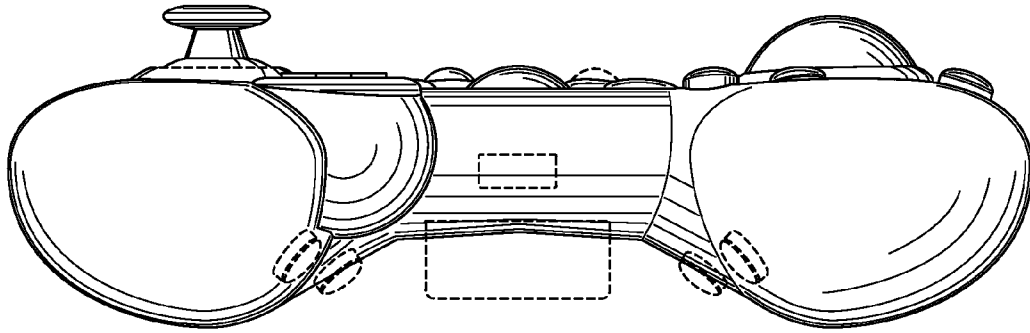


FIG. 5

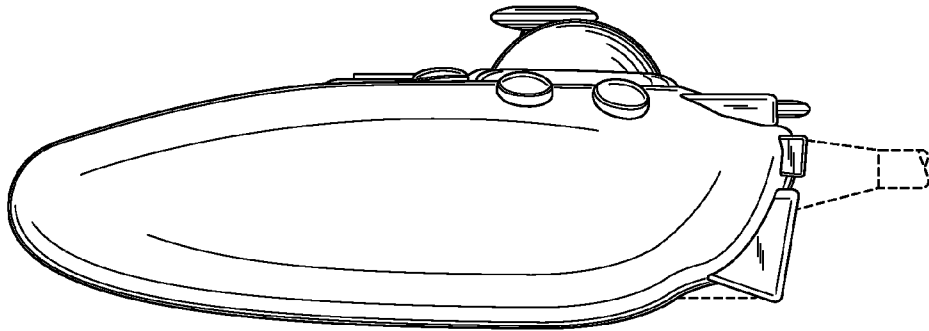


FIG. 6

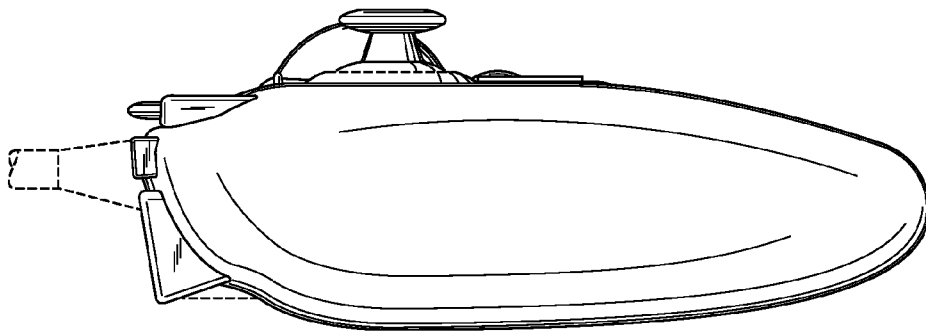


FIG. 7

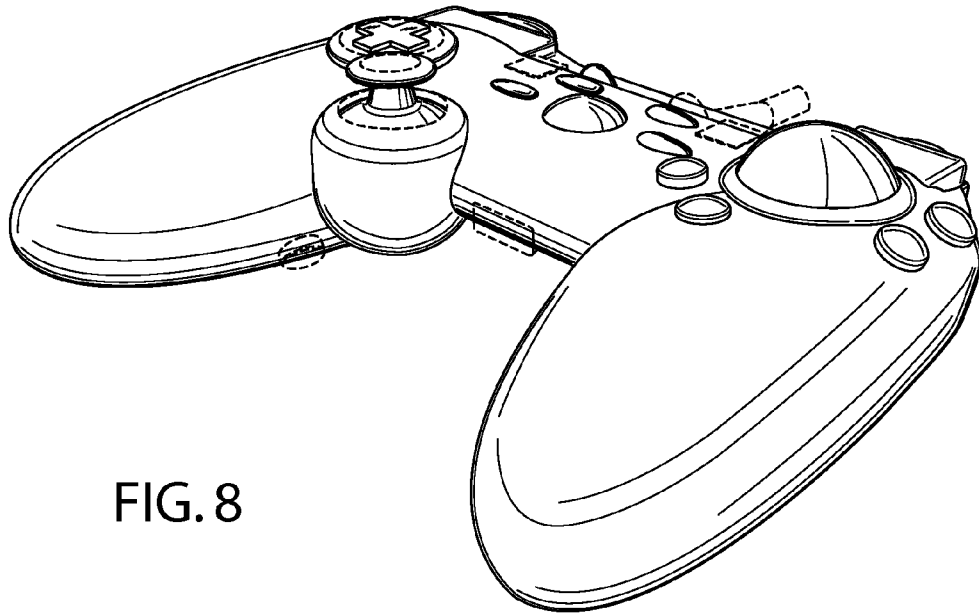


FIG. 8

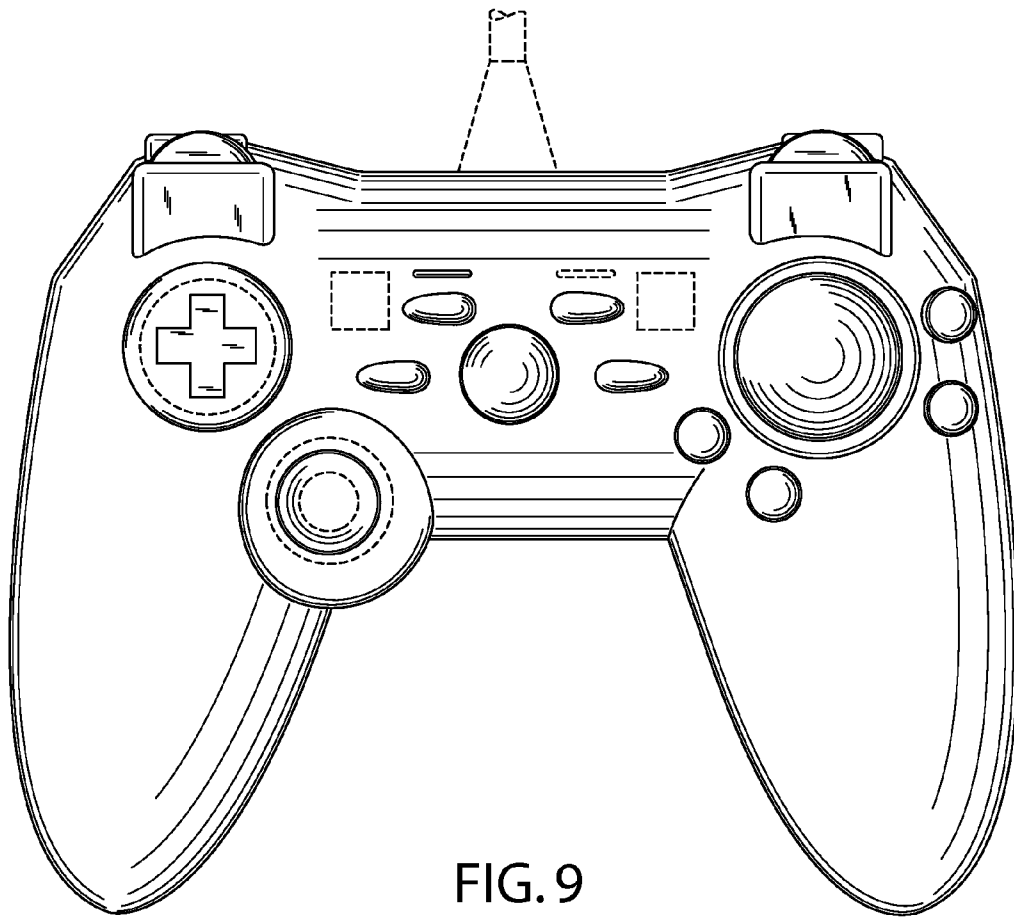


FIG. 9

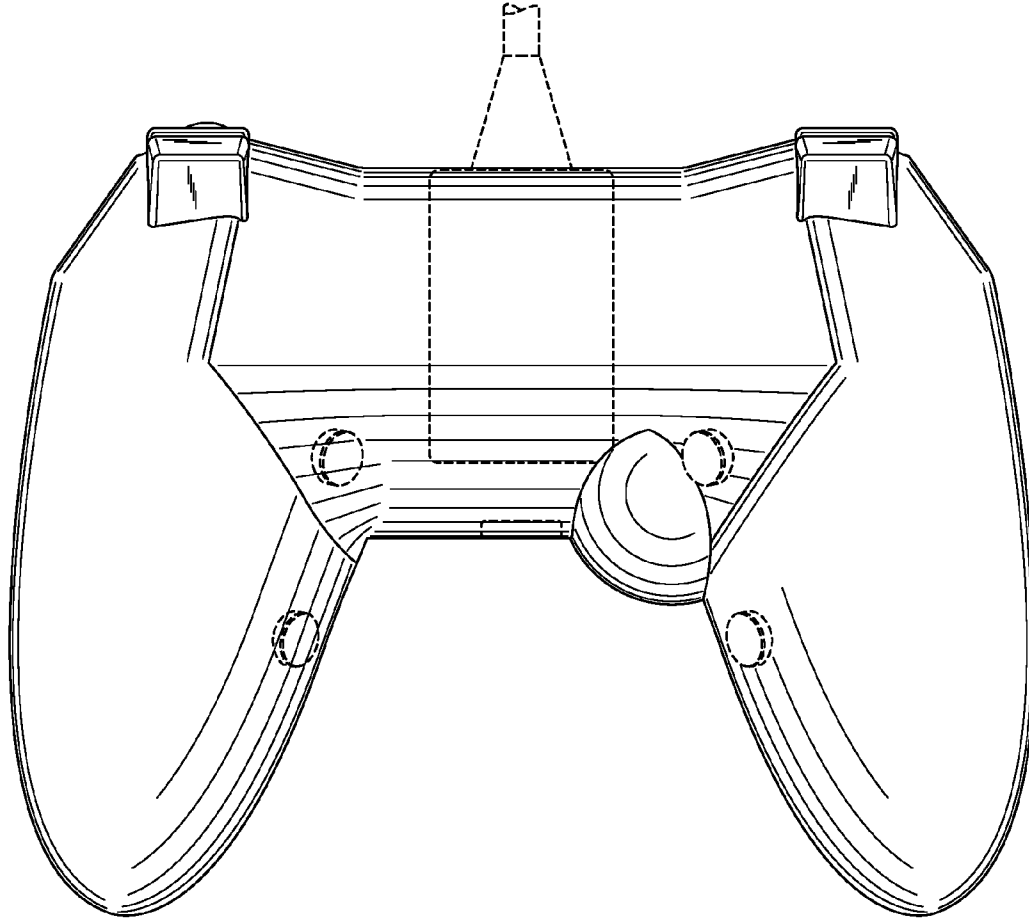


FIG. 10

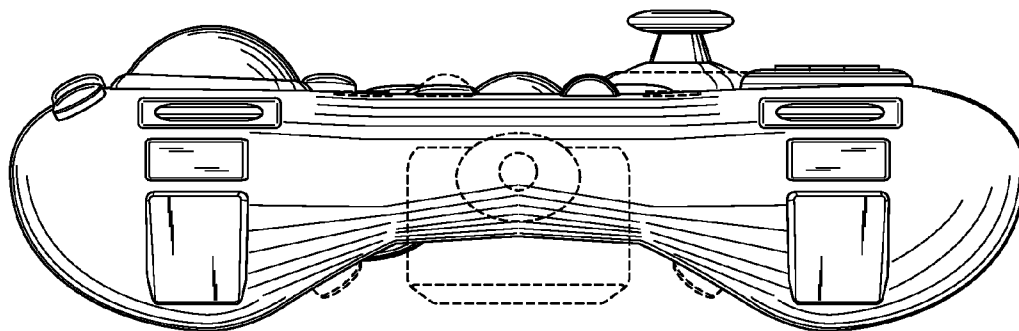


FIG. 11

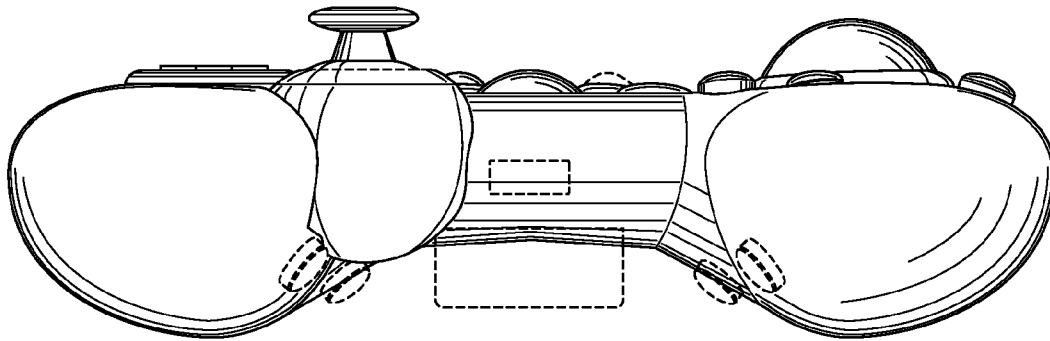


FIG. 12

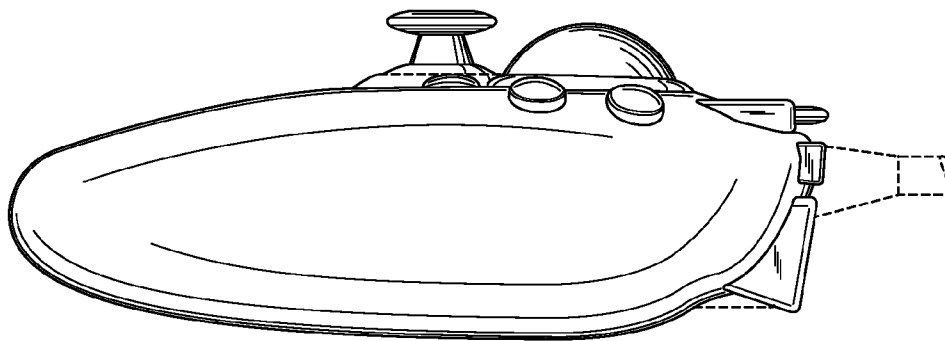


FIG. 13

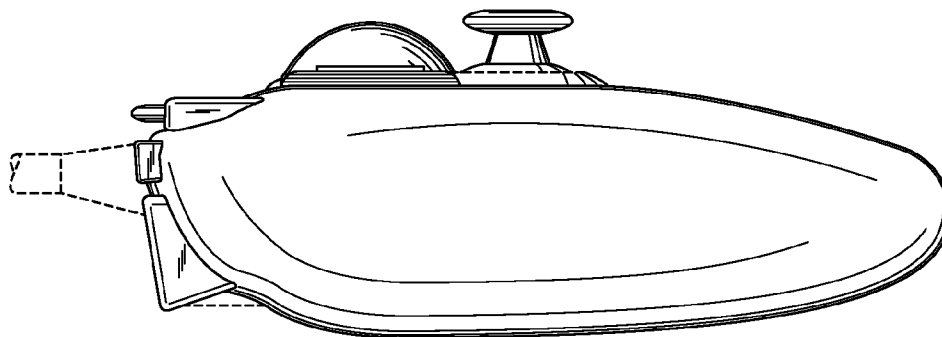


FIG. 14