



- (51) International Patent Classification:
F03B 3/18 (2006.01) F03B 11/00 (2006.01)
- (21) International Application Number:
PCT/NO2009/000003
- (22) International Filing Date:
5 January 2009 (05.01.2009)
- (25) Filing Language: English
- (26) Publication Language: English
- (30) Priority Data:
20080117 8 January 2008 (08.01.2008) NO
- (71) Applicant (for all designated States except US): DY-
NAVEC AS [NO/NO]; Liv-bygget, N-7125 Vanvikan
(NO).
- (72) Inventor; and
- (75) Inventor/Applicant (for US only): DAHLHAUG, Ole,
Gunnar [NO/NO]; Bredablikkveien 44, N-7021 Trond-
heim (NO).
- (74) Agent: HÅMSO PATENTBYRÅ ANS; P.O. Box 171,
N-4302 Sandnes (NO).
- (81) Designated States (unless otherwise indicated, for every
kind of national protection available): AE, AG, AL, AM,
AO, AT, AU, AZ, BA, BB, BG, BH, BR, BW, BY, BZ,

CA, CH, CN, CO, CR, CU, CZ, DE, DK, DM, DO, DZ,
EC, EE, EG, ES, FI, GB, GD, GE, GH, GM, GT, HN,
HR, HU, ID, IL, IN, IS, JP, KE, KG, KM, KN, KP, KR,
KZ, LA, LC, LK, LR, LS, LT, LU, LY, MA, MD, ME,
MG, MK, MN, MW, MX, MY, MZ, NA, NG, NI, NO,
NZ, OM, PG, PH, PL, PT, RO, RS, RU, SC, SD, SE, SG,
SK, SL, SM, ST, SV, SY, TJ, TM, TN, TR, TT, TZ, UA,
UG, US, UZ, VC, VN, ZA, ZM, ZW.

- (84) Designated States (unless otherwise indicated, for every
kind of regional protection available): ARIPO (BW, GH,
GM, KE, LS, MW, MZ, NA, SD, SL, SZ, TZ, UG, ZM,
ZW), Eurasian (AM, AZ, BY, KG, KZ, MD, RU, TJ,
TM), European (AT, BE, BG, CH, CY, CZ, DE, DK, EE,
ES, FI, FR, GB, GR, HR, HU, IE, IS, IT, LT, LU, LV,
MC, MK, MT, NL, NO, PL, PT, RO, SE, SI, SK, TR),
OAPI (BF, BJ, CF, CG, CI, CM, GA, GN, GQ, GW, ML,
MR, NE, SN, TD, TG).

Published:

- with international search report (Art. 21(3))
- before the expiration of the time limit for amending the
claims and to be republished in the event of receipt of
amendments (Rule 48.2(h))

- (88) Date of publication of the international search report:
8 April 2010

(54) Title: METHOD AND DEVICE FOR SEALING BETWEEN A GUIDE VANE AND A TURBINE HOUSING

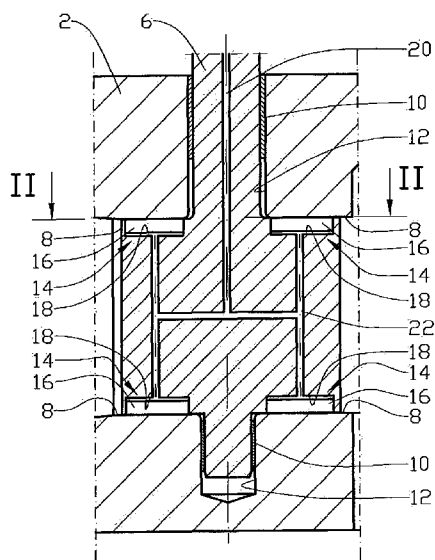


Fig. 2

- (57) Abstract: A method and device for sealing between a guide vane (6) in a turbine housing (2) and the turbine housing (2), the guide vane (6) being rotatable or movable in the turbine housing (2) and there being arranged a seal (14) between the turbine housing (2) and the guide vane (6), and the method comprising the operations of : - selecting a seal material (16) from a material group whose materials are capable of taking shape of a worm surface between the turbine housing (2) and guide vane (6) when being pressed against the worm surface; and - pressing the seal material (16) against the worm surface.



INTERNATIONAL SEARCH REPORT

International application No
PCT/N02009/000003A. CLASSIFICATION OF SUBJECT MATTER
INV. F03B3/18 F03B11/00

According to International Patent Classification (IPC) or to both national classification and IPC

B. FIELDS SEARCHED

Minimum documentation searched (classification system followed by classification symbols)
F03B

Documentation searched other than minimum documentation to the extent that such documents are included in the fields searched

Electronic data base consulted during the international search (name of data base and, where practical, search terms used)

EPO-Internal

C. DOCUMENTS CONSIDERED TO BE RELEVANT

Category*	Citation of document, with indication, where appropriate, of the relevant passages	Relevant to claim No.
X	FR 1 317 759 A (ATELIERS DE CHARMILLES) 8 May 1963 (1963-05-08)	1-4,6-7
Y	page 1, right-hand column, line 21 - page 2, left-hand column, line 28; figure 1	8-9
X	JP 54 042543 A (HITACHI LTD) 4 April 1979 (1979-04-04) the whole document	1-3,5-7
X	JP 58 133484 A (TOKYO SHIBAURA ELECTRIC CO) 9 August 1983 (1983-08-09) the whole document	1-3,5-7
X	FR 83 266 E (CREUSOT FORGES ATELIERS) 17 July 1964 (1964-07-17) page 1, right-hand column, line 5 - page 2, left-hand column, line 11; figure 2	1-3,5-7
	-/--	

 Further documents are listed in the continuation of Box C. See patent family annex.

* Special categories of cited documents :

"A" document defining the general state of the art which is not considered to be of particular relevance

"E" earlier document but published on or after the international filing date

"L" document which may throw doubts on priority claim(s) or which is cited to establish the publication date of another citation or other special reason (as specified)

"O" document referring to an oral disclosure, use, exhibition or other means

"P" document published prior to the international filing date but later than the priority date claimed

"T" later document published after the international filing date or priority date and not in conflict with the application but cited to understand the principle or theory underlying the invention

"X" document of particular relevance; the claimed invention cannot be considered novel or cannot be considered to involve an inventive step when the document is taken alone

"Y" document of particular relevance; the claimed invention cannot be considered to involve an inventive step when the document is combined with one or more other such documents, such combination being obvious to a person skilled in the art.

"&" document member of the same patent family

Date of the actual completion of the international search

3 February 2010

Date of mailing of the international search report

12/02/2010

Name and mailing address of the ISA/

European Patent Office, P.B. 5818 Patentlaan 2
NL - 2280 HV Rijswijk
Tel. (+31-70) 340-2040,
Fax: (+31-70) 340-3016

Authorized officer

Steinhauser, Udo

INTERNATIONAL SEARCH REPORT

International application No

PCT/N02009/000003

C(Continuation). DOCUMENTS CONSIDERED TO BE RELEVANT		
Category*	Citation of document, with indication, where appropriate, of the relevant passages	Relevant to claim No.
X	FR 1 257 377 A (VEVEY ATEL CONST MEC) 31 March 1961 (1961-03-31) page 2, left-hand column, paragraph 8 - right-hand column, paragraph 1 page 2, right-hand column, paragraph 4-5; figure 2 -----	1-3,5-7
X	US 3 601 497 A (MAYO HOWARD A JR) 24 August 1971 (1971-08-24) column 1, line 56 - column 2, line 25; figures 2,3 -----	1,3-4, 6-7
X	FR 1 182 583 A (CREUSOT FORGES ATELIERS) 26 June 1959 (1959-06-26) page 2, left-hand column, paragraph 3-4; figure 3 -----	1-3,5-7
Y	JP 07 012039 A (HITACHI LTD) 17 January 1995 (1995-01-17) the whole document -----	8-9
A	JP 03 052382 U (-) 21 May 1991 (1991-05-21) the whole document -----	1-9

INTERNATIONAL SEARCH REPORT

Information on patent family members

International application No

PCT/NO2009/000003

Patent document cited in search report		Publication date	Patent family member(s)	Publication date
FR 1317759	A	08-05-1963	CH 369084 A DE 1224219 B	30-04-1963 01-09-1966
JP 54042543	A	04-04-1979	NONE	
JP 58133484	A	09-08-1983	NONE	
FR 83266	E	17-07-1964	NONE	
FR 1257377	A	31-03-1961	NONE	
US 3601497	A	24-08-1971	NONE	
FR 1182583	A	26-06-1959	NONE	
JP 7012039	A	17-01-1995	JP 3270575 B2	02-04-2002
JP 3052382	U	21-05-1991	NONE	