



US00D740749S

(12) **United States Design Patent**
Stewart

(10) **Patent No.:** **US D740,749 S**

(45) **Date of Patent:** **** Oct. 13, 2015**

(54) **ELECTRONIC CHARGING DEVICE**

(71) Applicant: **Brian Stewart**, Indianapolis, IN (US)

(72) Inventor: **Brian Stewart**, Indianapolis, IN (US)

(**) Term: **14 Years**

(21) Appl. No.: **29/490,338**

(22) Filed: **May 8, 2014**

(51) **LOC (10) Cl.** **13-02**

(52) **U.S. Cl.**
USPC **D13/108**

(58) **Field of Classification Search**

USPC D13/107-110, 118-119, 182, 199;
D14/251, 253, 432, 434; 320/107-115
CPC Y02E 60/12; Y02T 90/14; Y02T 90/122;
Y02T 90/128; Y02T 90/163; H02J 7/025;
H02J 7/0042; H02J 7/0044; H02J 7/0045;
H02J 7/0003; H01F 38/14; H01R 13/6675;
H01M 2/1022; H01M 2/1055; H01M 10/44;
H01M 10/46; H01M 10/425; B60L 11/182
See application file for complete search history.

(56) **References Cited**

U.S. PATENT DOCUMENTS

D648,270	S	*	11/2011	Jiang	D13/103
D657,743	S	*	4/2012	Andre et al.	D13/110
D662,473	S	*	6/2012	Andre et al.	D13/110
D682,781	S	*	5/2013	Wakafuji et al.	D13/110
D694,183	S	*	11/2013	Matsuoka et al.	D13/110
D694,185	S	*	11/2013	Matsuoka et al.	D13/110
D704,135	S	*	5/2014	Stewart et al.	D13/108
D711,824	S	*	8/2014	Matsuoka et al.	D13/110
D715,734	S	*	10/2014	Levy	D13/110
D718,714	S	*	12/2014	Si	D13/110

D718,715	S	*	12/2014	Si	D13/110
2014/0335919	A1	*	11/2014	Stewart et al.	455/573
2014/0370742	A1	*	12/2014	Andre et al.	439/501

* cited by examiner

Primary Examiner — Rosemary K Tarcaza

(74) *Attorney, Agent, or Firm* — C. John Brannon; Brannon Sowers and Cracraft

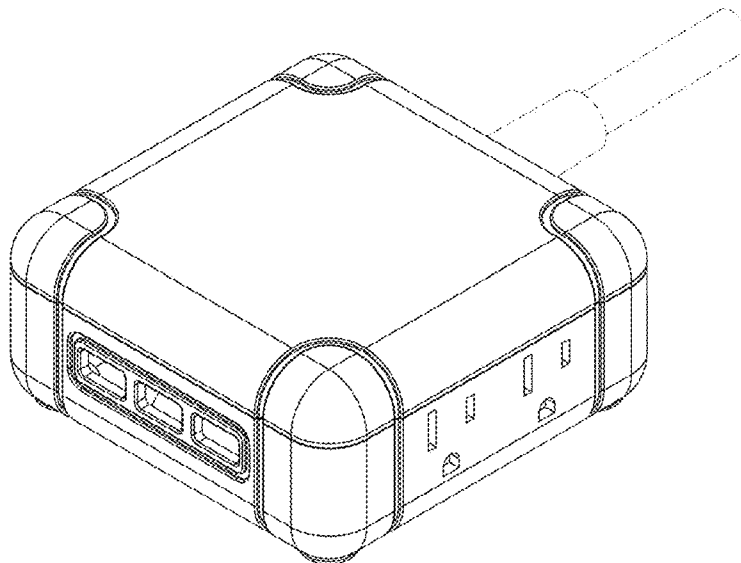
(57) **CLAIM**

The ornamental design for an electronic charging device, as shown and described.

DESCRIPTION

FIG. 1 is a top-front perspective view of one embodiment of an electronic charging device showing my new design. FIG. 2 is a top-rear perspective view of the embodiment of the electronic charging device shown in FIG. 1. FIG. 3 is a bottom perspective view of the embodiment of the electronic charging device shown in FIG. 1. FIG. 4 is a top plan view of the embodiment of the electronic charging device shown in FIG. 1. FIG. 5 is a front elevational view of the embodiment of the electronic charging device as shown in FIG. 1. FIG. 6 is a right elevational view of the embodiment of the electronic charging device as shown in FIG. 1. FIG. 7 is a left elevational view of the embodiment of the electronic charging device as shown in FIG. 1. FIG. 8 is a rear elevational view of the embodiment of the electronic charging device as shown in FIG. 1; and, FIG. 9 is a bottom plan view of the embodiment of the electronic charging device shown in FIG. 1. The broken lines shown in the drawings are included for the purpose of illustrating environmental structure and form no part of the claimed design.

1 Claim, 7 Drawing Sheets



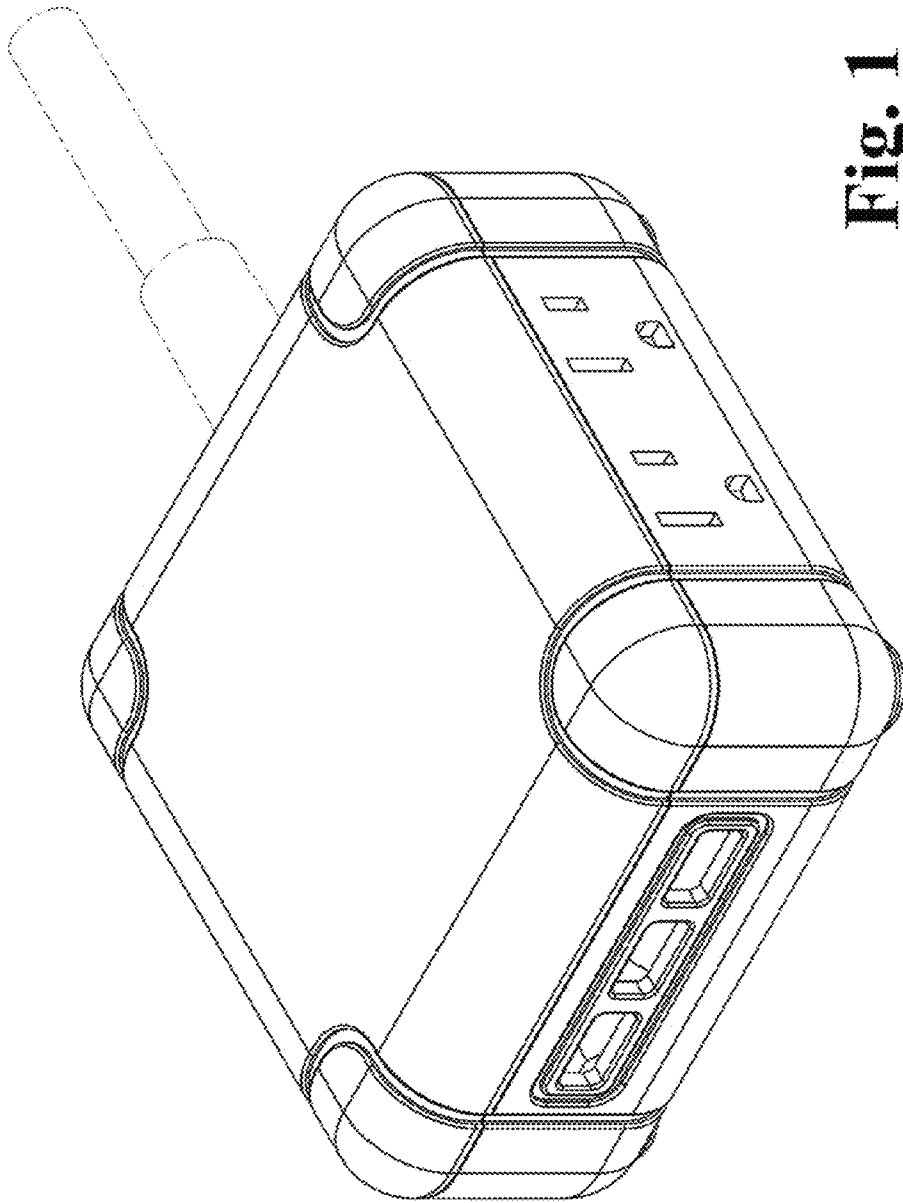


Fig. 1

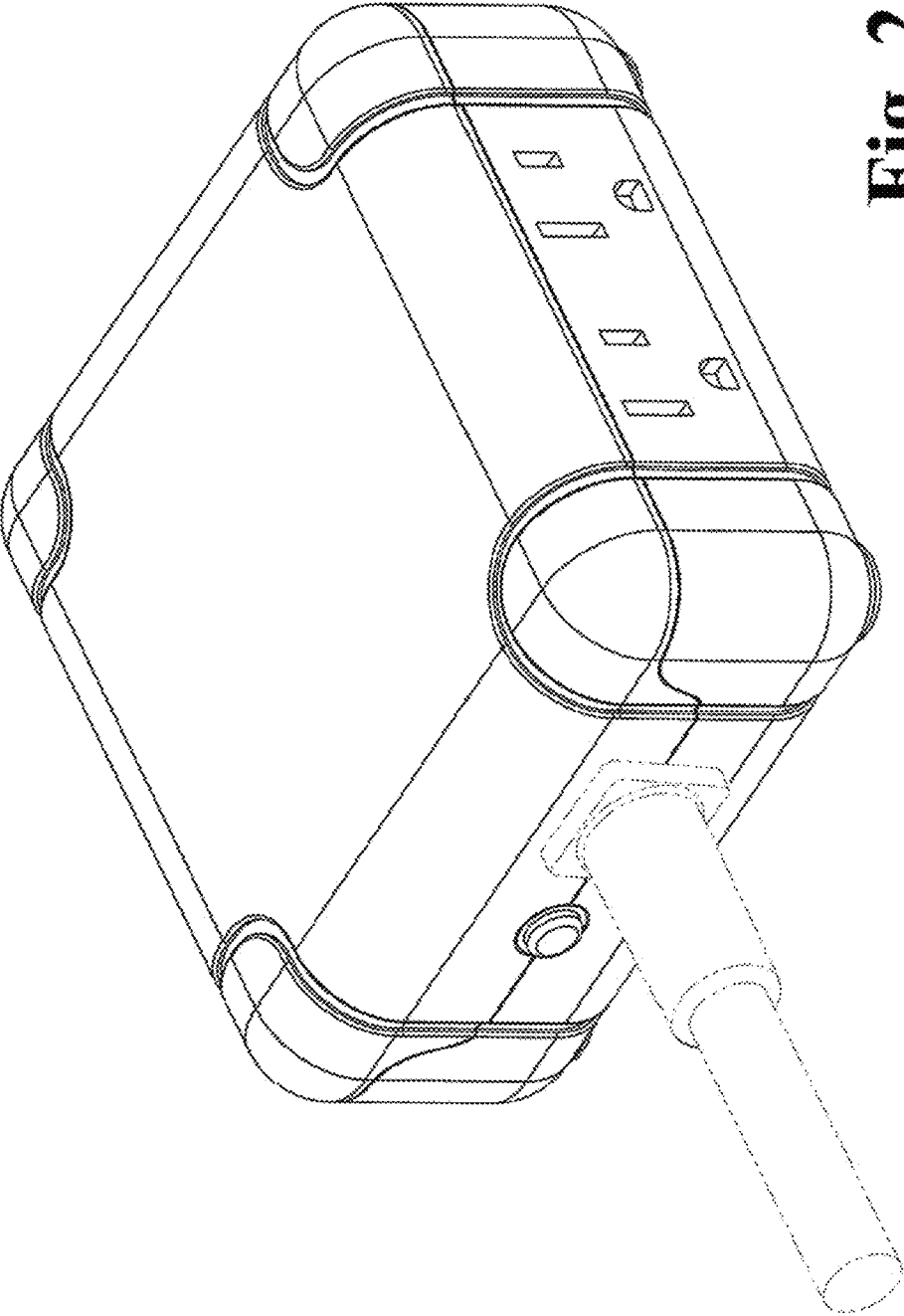


Fig. 2

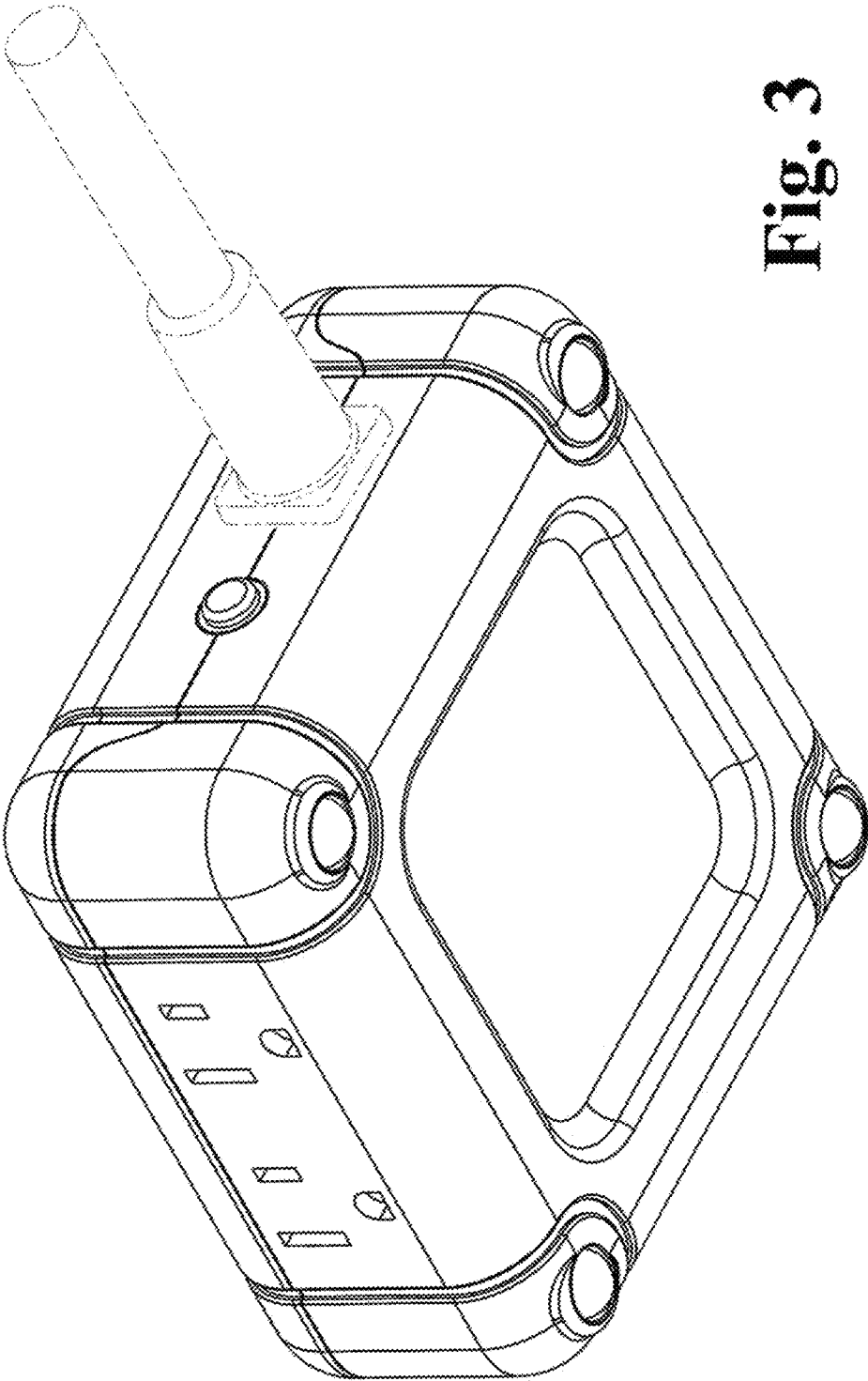


Fig. 3

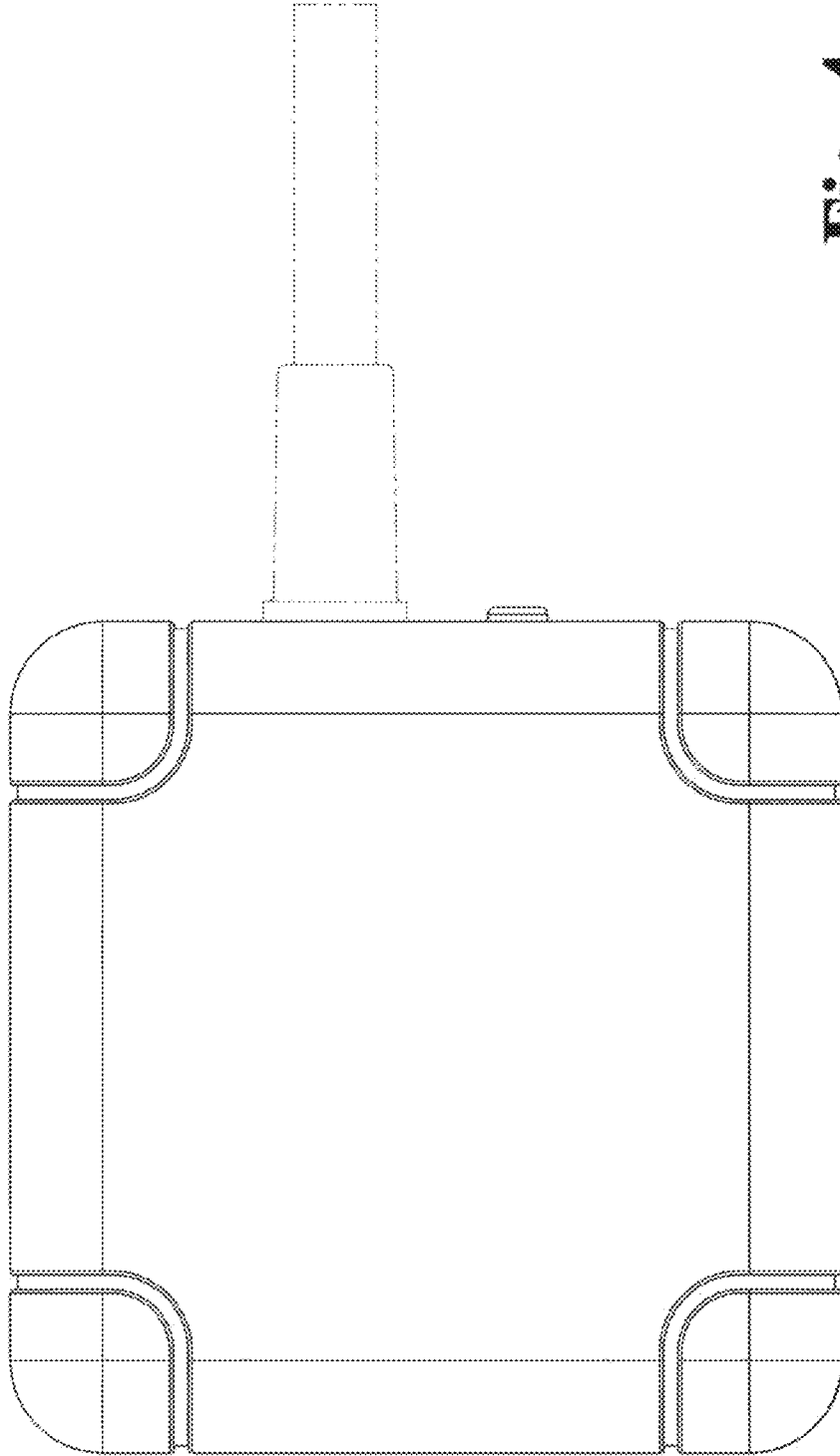


Fig. 4

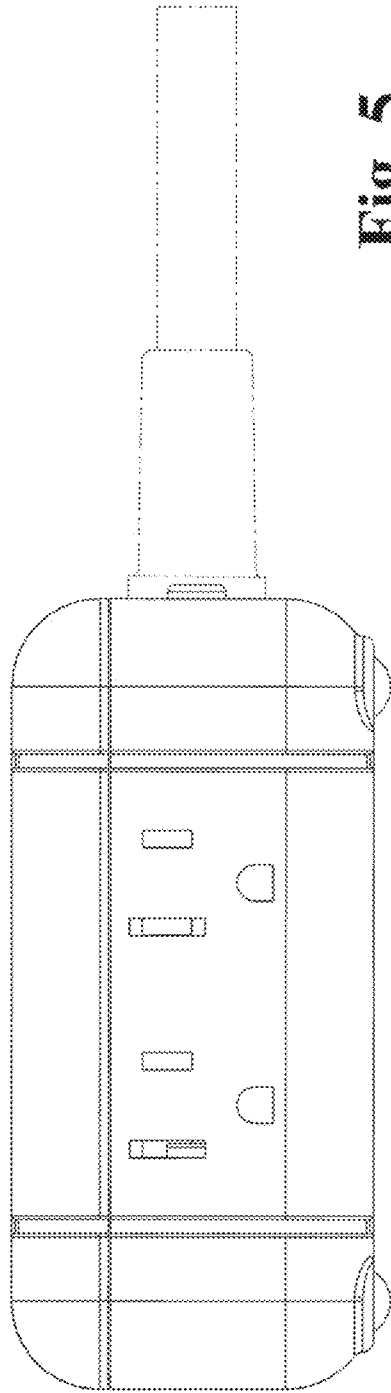


Fig. 5

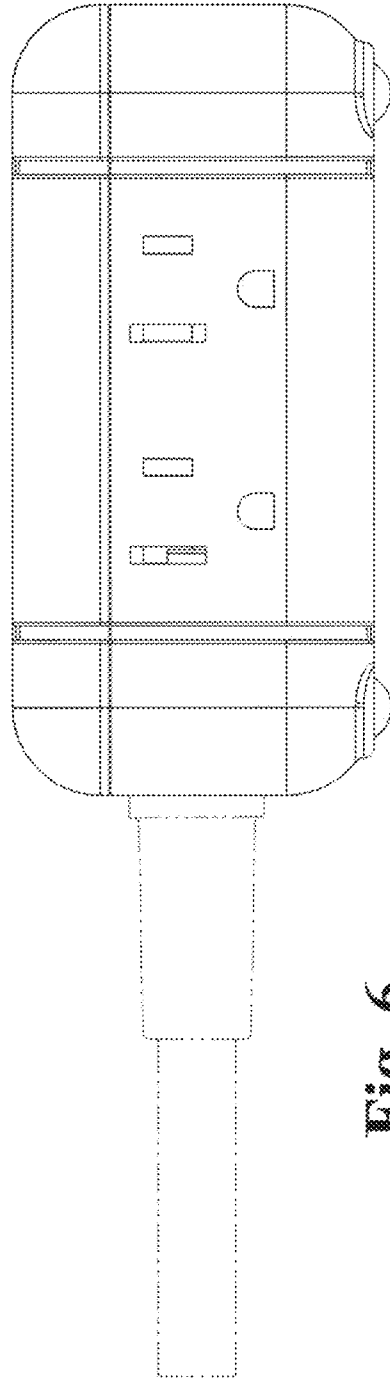


Fig. 6

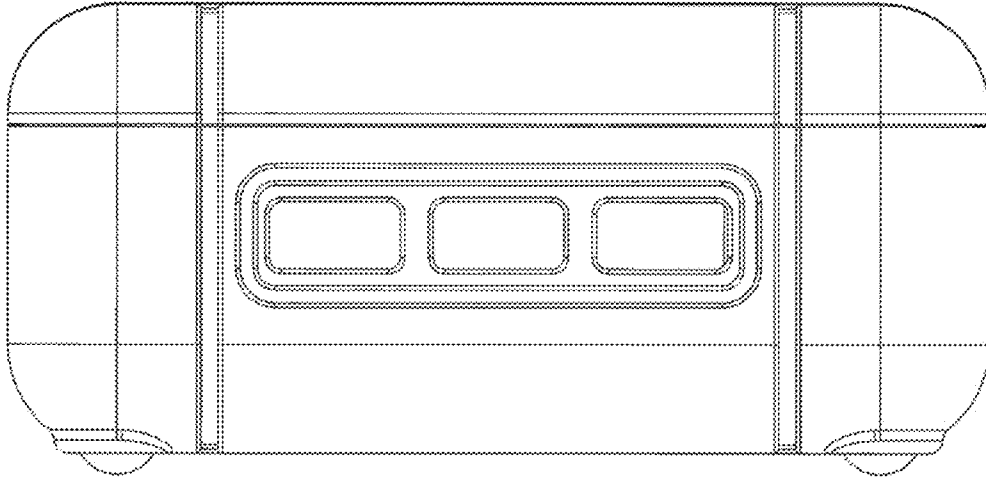


Fig. 7

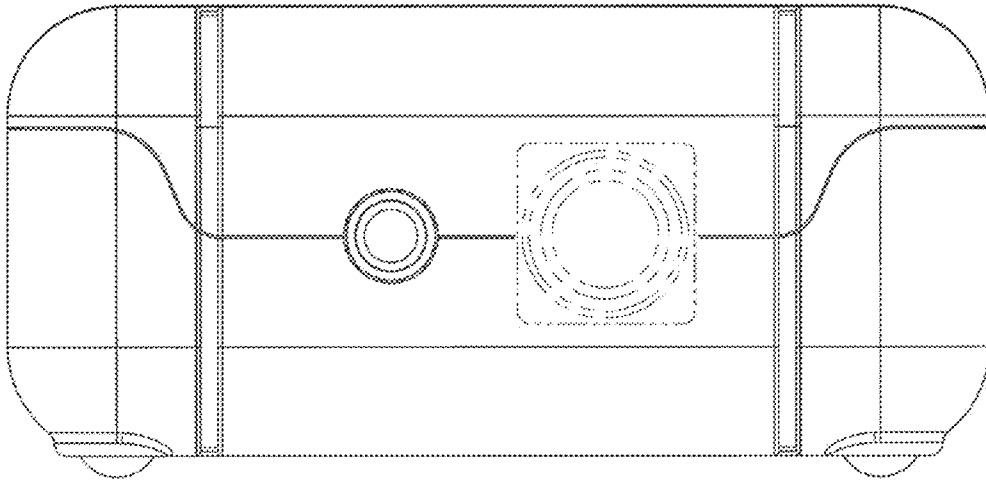


Fig. 8

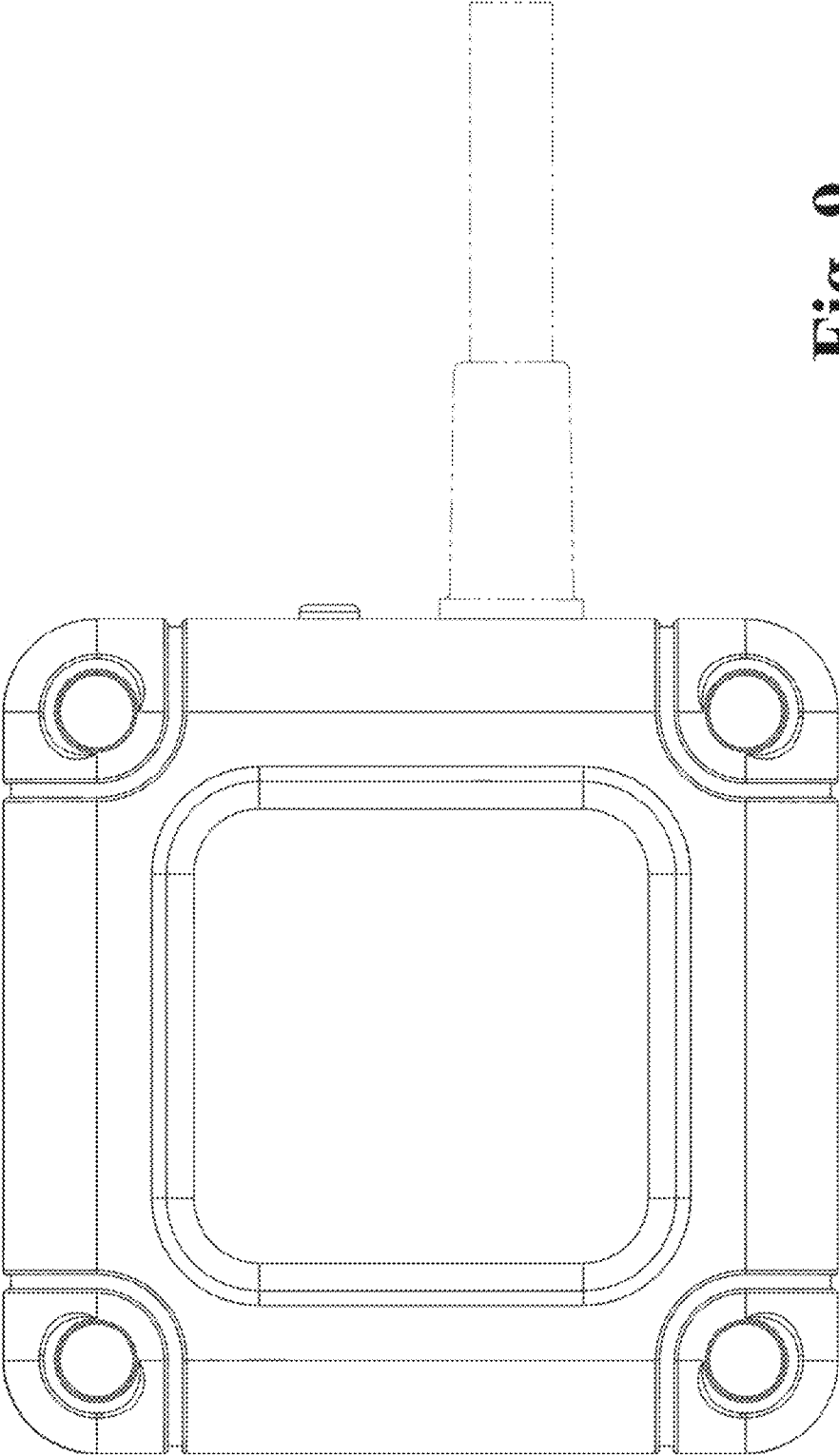


Fig. 9