

- [54] **COMBINED CUTTING BOARD, SERVING DISH AND SUPPORT STAND**
- [75] Inventor: **Kenneth R. LeVan**, Kintnersville, Pa.
- [73] Assignee: **Corning Glass Works**, Corning, N.Y.
- [\*\*] Term: **14 Years**,
- [21] Appl. No.: **251,474**
- [22] Filed: **Apr. 6, 1981**

D. 224,662	8/1972	Swett et al.	.....	D7/38 X
2,916,161	12/1959	Schaefer	.....	D7/81 X
3,887,288	6/1975	Glaser	.....	D6/177 X
3,993,005	11/1976	Burr	.....	D6/177 X
4,039,133	8/1977	Streicher	.....	D6/177 X

**OTHER PUBLICATIONS**

*Home Fashion Blooms Fresh*, Woodies Cat. 5/9/76, Adv. Suppl. to Wash. Star, p. 8, Item #E, Double Dish & Holder.

*Primary Examiner*—Winifred E. Herrmann  
*Attorney, Agent, or Firm*—Burton R. Turner

**Related U.S. Application Data**

- [62] Division of Ser. No. 969,245, Dec. 13, 1978.
- [51] Int. Cl. .... **D07—01**
- [52] U.S. Cl. .... **D7/3; D7/38; D7/46; D7/130**
- [58] Field of Search ..... **D6/177; D7/3, 41, 1, D7/21, 37, 19, 38, 16, 18, 129, 130, 96, 46; D9/219, 242**

[57] **CLAIM**

The ornamental design for a combined cutting board, serving dish and support stand, as shown and described.

**DESCRIPTION**

FIG. 1 is a top plan view of a combined cutting board, serving dish and support stand showing my new design; FIG. 2 is a front elevational view taken along line 2—2 of FIG. 1, with the back elevational view being a mirror image; FIG. 3 is a side elevational view taken along line 3—3 of FIG. 1.

FIG. 4 is a side elevational view taken along line 4—4 of FIG. 1.

[56] **References Cited**  
**U.S. PATENT DOCUMENTS**

D. 121,438	7/1940	Karsh	.....	D7/21
D. 198,804	8/1964	Stevens	.....	D7/38
D. 224,553	8/1972	Swett et al.	.....	D7/38 X

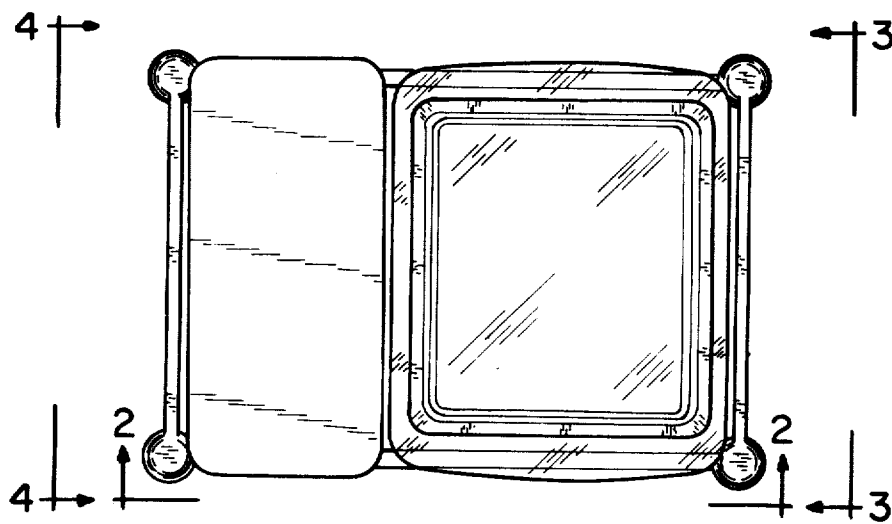
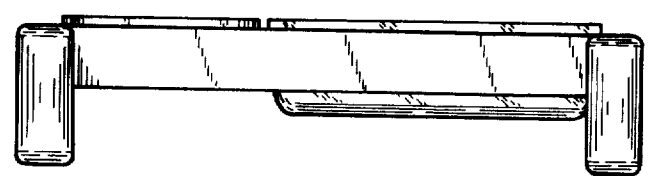
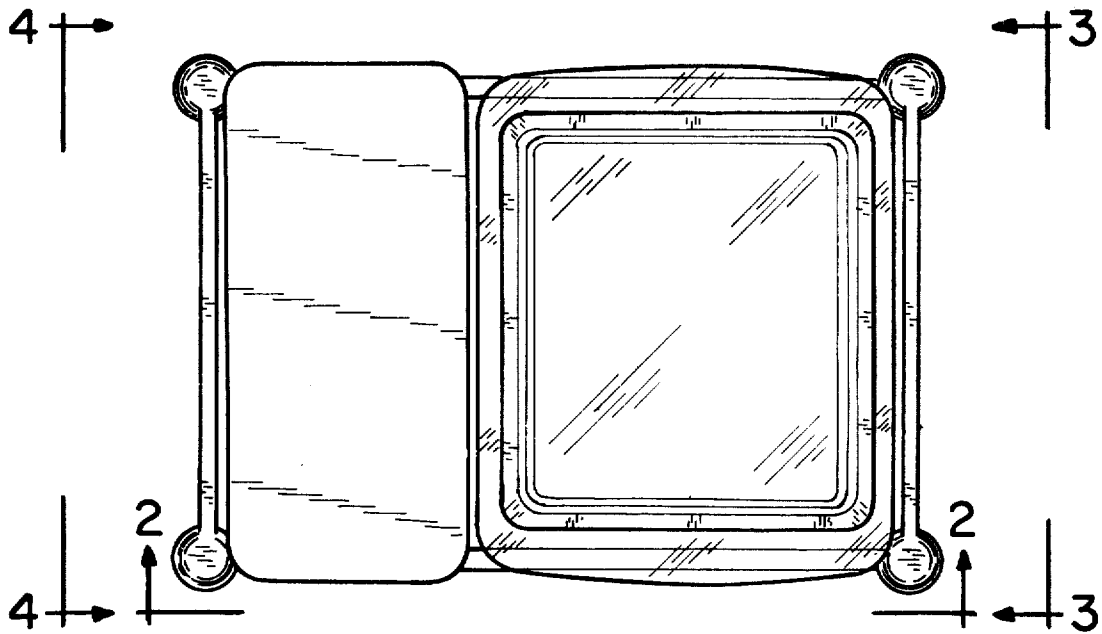
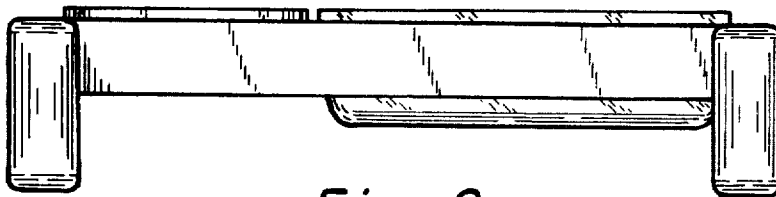


Fig. 1

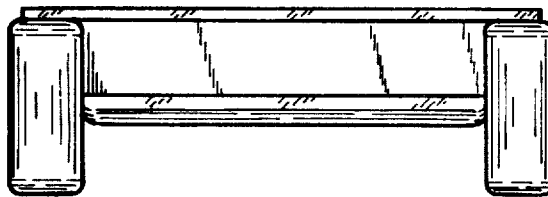




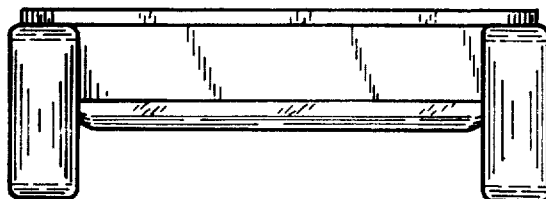
*Fig. 1*



*Fig. 2*



*Fig. 3*



*Fig. 4*