

(12) INTERNATIONAL APPLICATION PUBLISHED UNDER THE PATENT COOPERATION TREATY (PCT)

(19) World Intellectual Property Organization  
International Bureau



(43) International Publication Date  
21 November 2002 (21.11.2002)

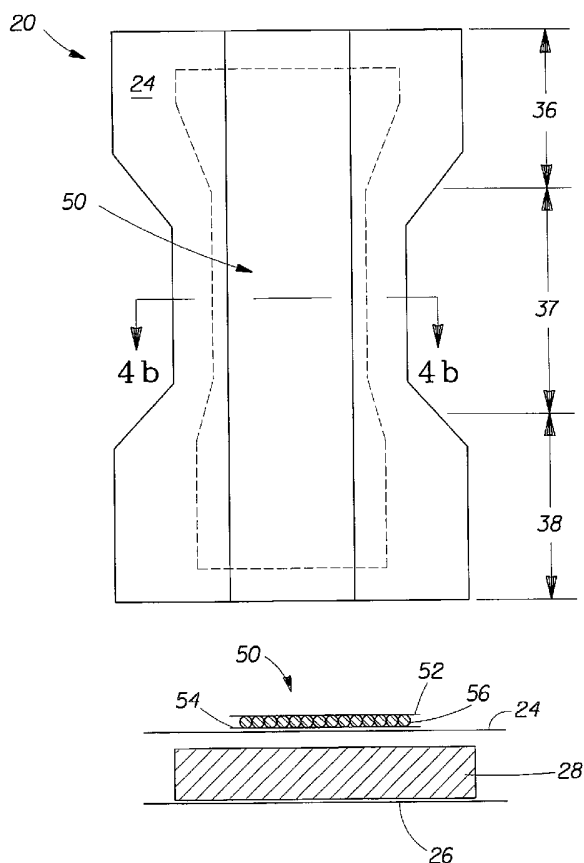
PCT

(10) International Publication Number  
WO 02/091968 A3

- (51) International Patent Classification<sup>7</sup>: A61F 13/42, 13/537, 13/15 (US). CARLIN, Edward, Paul; 2902 Millbank Road, Maineville, OH 45039 (US).
- (21) International Application Number: PCT/US02/15197 (74) Agents: REED, T., David et al.; The Procter & Gamble Company, 6110 Center Hill Rd., Cincinnati, OH 45224 (US).
- (22) International Filing Date: 14 May 2002 (14.05.2002)
- (25) Filing Language: English
- (26) Publication Language: English
- (30) Priority Data: 09/855,114 14 May 2001 (14.05.2001) US
- (71) Applicant: THE PROCTER & GAMBLE COMPANY [US/US]; One Procter & Gamble Plaza, Cincinnati, OH 45202 (US).
- (72) Inventors: ROE, Donald, Carroll; 6324 Emburwood Court, West Chester, OH 45069 (US). ALLEN, Patrick, Jay; 8667 Arcturus Drive, Cincinnati, OH 45249
- (81) Designated States (national): AE, AG, AL, AM, AT (utility model), AT, AU, AZ, BA, BB, BG, BR, BY, BZ, CA, CH, CN, CO, CR, CU, CZ (utility model), CZ, DE (utility model), DE, DK (utility model), DK, DM, DZ, EC, EE (utility model), EE, ES, FI (utility model), FI, GB, GD, GE, GH, GM, HR, HU, ID, IL, IN, IS, JP, KE, KG, KP, KR, KZ, LC, LK, LR, LS, LT, LU, LV, MA, MD, MG, MK, MN, MW, MX, MZ, NO, NZ, PH, PL, PT, RO, RU, SD, SE, SG, SI, SK (utility model), SK, SL, TJ, TM, TR, TT, TZ, UA, UG, UZ, VN, YU, ZA, ZW.
- (84) Designated States (regional): ARIPO patent (GH, GM, KE, LS, MW, MZ, SD, SL, SZ, TZ, UG, ZM, ZW), Eurasian patent (AM, AZ, BY, KG, KZ, MD, RU, TJ, TM), European patent (AT, BE, CH, CY, DE, DK, ES, FI, FR,

[Continued on next page]

(54) Title: ABSORBENT ARTICLE WITH TOILET TRAINING AID, CREATING A TEMPERATURE CHANGE WHEN WET



(57) Abstract: A wearable article useful for facilitating toilet training is provided. The wearable article includes a temperature change element providing a cool/wet signal when wetted which causes discomfort to the wearer. The temperature change element comprises a temperature change substance disposed on an impermeable material in order to maximize the thermal signal provided to the skin of the wearer.



WO 02/091968 A3



GB, GR, IE, IT, LU, MC, NL, PT, SE, TR), OAPI patent (BF, BJ, CF, CG, CI, CM, GA, GN, GQ, GW, ML, MR, NE, SN, TD, TG).

DE, DK, ES, FI, FR, GB, GR, IE, IT, LU, MC, NL, PT, SE, TR), OAPI patent (BF, BJ, CF, CG, CI, CM, GA, GN, GQ, GW, ML, MR, NE, SN, TD, TG)

- as to the applicant's entitlement to claim the priority of the earlier application (Rule 4.17(iii)) for all designations

**Declarations under Rule 4.17:**

- as to applicant's entitlement to apply for and be granted a patent (Rule 4.17(ii)) for the following designations AE, AG, AL, AM, AT, AU, AZ, BA, BB, BG, BR, BY, BZ, CA, CH, CN, CO, CR, CU, CZ, DE, DK, DM, DZ, EC, EE, ES, FI, GB, GD, GE, GH, GM, HR, HU, ID, IL, IN, IS, JP, KE, KG, KP, KR, KZ, LC, LK, LR, LS, LT, LU, LV, MA, MD, MG, MK, MN, MW, MX, MZ, NO, NZ, PH, PL, PT, RO, RU, SD, SE, SG, SI, SK, SL, TJ, TM, TR, TT, TZ, UA, UG, UZ, VN, YU, ZA, ZW, ARIPO patent (GH, GM, KE, LS, MW, MZ, SD, SL, SZ, TZ, UG, ZM, ZW), Eurasian patent (AM, AZ, BY, KG, KZ, MD, RU, TJ, TM), European patent (AT, BE, CH, CY,

**Published:**

- with international search report

**(88) Date of publication of the international search report:**

6 November 2003

For two-letter codes and other abbreviations, refer to the "Guidance Notes on Codes and Abbreviations" appearing at the beginning of each regular issue of the PCT Gazette.

# INTERNATIONAL SEARCH REPORT

In <span style="float: right;">ional Application No</span> PCT/US 02/15197
---

<b>A. CLASSIFICATION OF SUBJECT MATTER</b> IPC 7 A61F13/42 A61F13/537 A61F13/15		
According to International Patent Classification (IPC) or to both national classification and IPC		
<b>B. FIELDS SEARCHED</b> Minimum documentation searched (classification system followed by classification symbols) IPC 7 A61F		
Documentation searched other than minimum documentation to the extent that such documents are included in the fields searched		
Electronic data base consulted during the international search (name of data base and, where practical, search terms used)		
<b>C. DOCUMENTS CONSIDERED TO BE RELEVANT</b>		
Category °	Citation of document, with indication, where appropriate, of the relevant passages	Relevant to claim No.
X	US 5 649 914 A (BRUNNER MICHAEL SCOTT ET AL) 22 July 1997 (1997-07-22) column 5, line 7 -column 35 column 8, line 16 - line 32 column 9, line 2 - line 57 column 10, line 59 -column 11, line 8 -----	1-4,6, 8-12
<input type="checkbox"/> Further documents are listed in the continuation of box C. <span style="margin-left: 200px;"><input checked="" type="checkbox"/> Patent family members are listed in annex.</span>		
° Special categories of cited documents :		
"A" document defining the general state of the art which is not considered to be of particular relevance "E" earlier document but published on or after the international filing date "L" document which may throw doubts on priority claim(s) or which is cited to establish the publication date of another citation or other special reason (as specified) "O" document referring to an oral disclosure, use, exhibition or other means "P" document published prior to the international filing date but later than the priority date claimed		"T" later document published after the international filing date or priority date and not in conflict with the application but cited to understand the principle or theory underlying the invention "X" document of particular relevance; the claimed invention cannot be considered novel or cannot be considered to involve an inventive step when the document is taken alone "Y" document of particular relevance; the claimed invention cannot be considered to involve an inventive step when the document is combined with one or more other such documents, such combination being obvious to a person skilled in the art. "&" document member of the same patent family
Date of the actual completion of the international search  <div style="text-align: center; font-size: 1.2em;">2 December 2002</div>		Date of mailing of the international search report  <div style="text-align: center; font-size: 1.2em;">01.04.03</div>
Name and mailing address of the ISA European Patent Office, P.B. 5818 Patentlaan 2 NL - 2280 HV Rijswijk Tel. (+31-70) 340-2040, Tx. 31 851 epo nl, Fax: (+31-70) 340-3016		Authorized officer  <div style="text-align: center; font-size: 1.2em;">DOUSKAS, K</div>

# INTERNATIONAL SEARCH REPORT

International application No.  
PCT/US 02/15197

## Box I Observations where certain claims were found unsearchable (Continuation of item 1 of first sheet)

This International Search Report has not been established in respect of certain claims under Article 17(2)(a) for the following reasons:

1.  Claims Nos.:  
because they relate to subject matter not required to be searched by this Authority, namely:
  
2.  Claims Nos.:  
because they relate to parts of the International Application that do not comply with the prescribed requirements to such an extent that no meaningful International Search can be carried out, specifically:
  
3.  Claims Nos.:  
because they are dependent claims and are not drafted in accordance with the second and third sentences of Rule 6.4(a).

## Box II Observations where unity of invention is lacking (Continuation of item 2 of first sheet)

This International Searching Authority found multiple inventions in this international application, as follows:

1.  As all required additional search fees were timely paid by the applicant, this International Search Report covers all searchable claims.
  
2.  As all searchable claims could be searched without effort justifying an additional fee, this Authority did not invite payment of any additional fee.
  
3.  As only some of the required additional search fees were timely paid by the applicant, this International Search Report covers only those claims for which fees were paid, specifically claims Nos.:
  
4.  No required additional search fees were timely paid by the applicant. Consequently, this International Search Report is restricted to the invention first mentioned in the claims; it is covered by claims Nos.:

1-8

### Remark on Protest

- The additional search fees were accompanied by the applicant's protest.
- No protest accompanied the payment of additional search fees.

FURTHER INFORMATION CONTINUED FROM PCT/ISA/ 210

1. Claims: 1-8

A wearable article worn around the lower torso of a wearer, comprising a temperature change element including a permeable layer, an impermeable layer disposed in face to face arrangement with the permeable layer and a temperature change substance between the permeable layer and the impermeable layer.

1.1. Claims: 9-16, 23, 24

A disposable diaper, comprising backsheet a topsheet and an absorbent core disposed between the topsheet and the backsheet and a temperature change element disposed on the topsheet.

2. Claims: 17-22

A disposable diaper, comprising backsheet a topsheet and an absorbent core disposed between the topsheet and the backsheet and a (plurality of) temperature change elements disposed between the topsheet and the absorbent core parallel to and spaced apart from the longitudinal axis,

3. Claims: 25-26

A disposable diaper, comprising backsheet a topsheet and an absorbent core disposed between the topsheet and the backsheet and impermeable barrier leg cuffs disposed on the topsheet and temperature change elements disposed on the barrier cuffs, the temperature change element including a permeable layer, an impermeable layer formed by the barrier leg cuff.

INTERNATIONAL SEARCH REPORT

International Application No  
PCT/US 02/15197

Patent document cited in search report	Publication date	Patent family member(s)	Publication date
US 5649914 A	22-07-1997	AU 689368 B	26-03-1998
		AU 4598496 A	10-07-1996
		BR 9510525 A	14-07-1998
		CA 2208891 A	27-06-1996
		DE 69520599 D	10-05-2001
		DE 69520599 T	31-10-2001
		EP 0799004 A	08-10-1997
		ES 2155545 T	16-05-2001
		JP 10511278 T	04-11-1998
		WO 9619168 A	27-06-1996
		US 5797892 A	25-08-1998
		US 5702376 A	30-12-1997
		ZA 9510846 A	25-06-1996
-----			