



(12) **United States Design Patent**
Marsden

(10) **Patent No.:** **US D923,950 S**
(45) **Date of Patent:** **** Jul. 6, 2021**

- (54) **STEP STOOL**
- (71) Applicant: **Elbee Pty Ltd.**, Bondi Junction (AU)
- (72) Inventor: **Andrew Marsden**, Hingham, MA (US)
- (73) Assignee: **Elbee Pty Ltd.**, Bondi Junction (AU)
- (**) Term: **15 Years**
- (21) Appl. No.: **29/705,721**

D865,386 S * 11/2019 Sphikas D6/350
 2008/0257280 A1* 10/2008 Jakubowski A01K 1/035
 119/849
 2015/0359390 A1* 12/2015 Goetz A47C 3/04
 4/611

- (22) Filed: **Sep. 13, 2019**
- (51) **LOC (13) Cl.** **06-01**
- (52) **U.S. Cl.**
USPC **D6/349; D25/65**
- (58) **Field of Classification Search**
USPC D6/334-338, 340-343, 349-353, 355,
D6/364-365, 372, 374, 691-691.1,
D6/692-692.6, 716-716.1; D25/63, 65
CPC A47B 7/00-02; A47C 11/00; A47C 12/00;
A47C 13/00; A47C 16/00; A47C
16/02-04; A47C 9/00-105; A47K 17/02;
A47K 17/028
See application file for complete search history.

OTHER PUBLICATIONS

Two-Step Plastic Step Stool. [online] Retrieved Nov. 17, 2020 from URL: <https://www.menards.com/main/paint/ladders-scaffolding/step-stools-step-ladders/two-step-plastic-step-stool-250-lb-max/41309/p-4364363663400790.htm>.*

Top 5 Best Plastic Step Stool Review in 2020. [online] Retrieved Nov. 17, 2020 from URL: <https://greathomedepot.com/plastic-step-stool/>.*

[No Author Listed] Dreambaby Two-Step Stool. Publicly available prior to Sep. 13, 2018. 1 page.

[No Author Listed] Handy Home Step Stool. Publicly available prior to Sep. 13, 2019. 1 page.

(Continued)

Primary Examiner — Vy N Koenig
 (74) *Attorney, Agent, or Firm* — Wolf, Greenfield & Sacks, P.C.

(57) **CLAIM**
 The ornamental design for a step stool, as shown and described.

DESCRIPTION

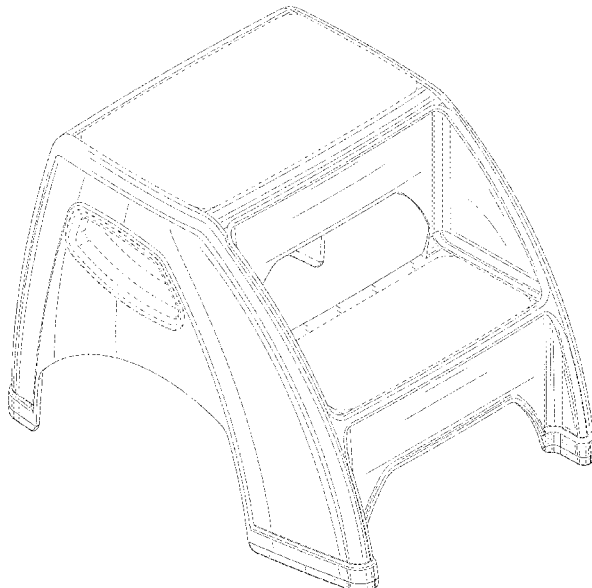
FIG. 1 is a top, front, and left side perspective view of a step stool according to our new design;
 FIG. 2 is a top, front, and right side perspective view thereof;
 FIG. 3 is a front elevation view thereof;
 FIG. 4 is a rear elevation view thereof;
 FIG. 5 is a left side elevation view thereof;
 FIG. 6 is a right side elevation view thereof;
 FIG. 7 is a top plan view thereof; and,
 FIG. 8 is a bottom plan view thereof.
 The broken lines illustrate portions of the step stool that form no part of the claimed design.

1 Claim, 8 Drawing Sheets

(56) **References Cited**

U.S. PATENT DOCUMENTS

D307,800 S *	5/1990	Hradisky	D25/65
5,094,505 A *	3/1992	Nichols	A47C 12/02 182/33.3
D335,966 S *	6/1993	Schwartzkopf	D6/349
D351,476 S *	10/1994	Grosfillex	D25/63
D414,566 S *	9/1999	Gibson	D25/65
D443,072 S *	5/2001	Schultz	D25/65
D449,386 S *	10/2001	Cheris	D25/65
D563,685 S *	3/2008	Adams	D6/350
D597,684 S *	8/2009	Genova	D25/63
10,368,638 B2 *	8/2019	Hui	A47B 83/02



(56)

References Cited

OTHER PUBLICATIONS

[No. Author Listed] Prince Lionheart Uppy2 Step Stool. Publicly available prior to Sep. 13, 2019, 1 page.

[No Author Listed] Rubbermaid Step Stool. Publicly available prior to Sep. 13, 2019, 1 page.

[No Author Listed] Step Stool A. Publicly available prior to Sep. 13, 2019, 1 page.

[No Author Listed] Step Stool B. Publicly available prior to Sep. 13, 2019, 1 page.

[No Author Listed] Step Stool C. Publicly available prior to Sep. 13, 2019, 1 page.

* cited by examiner

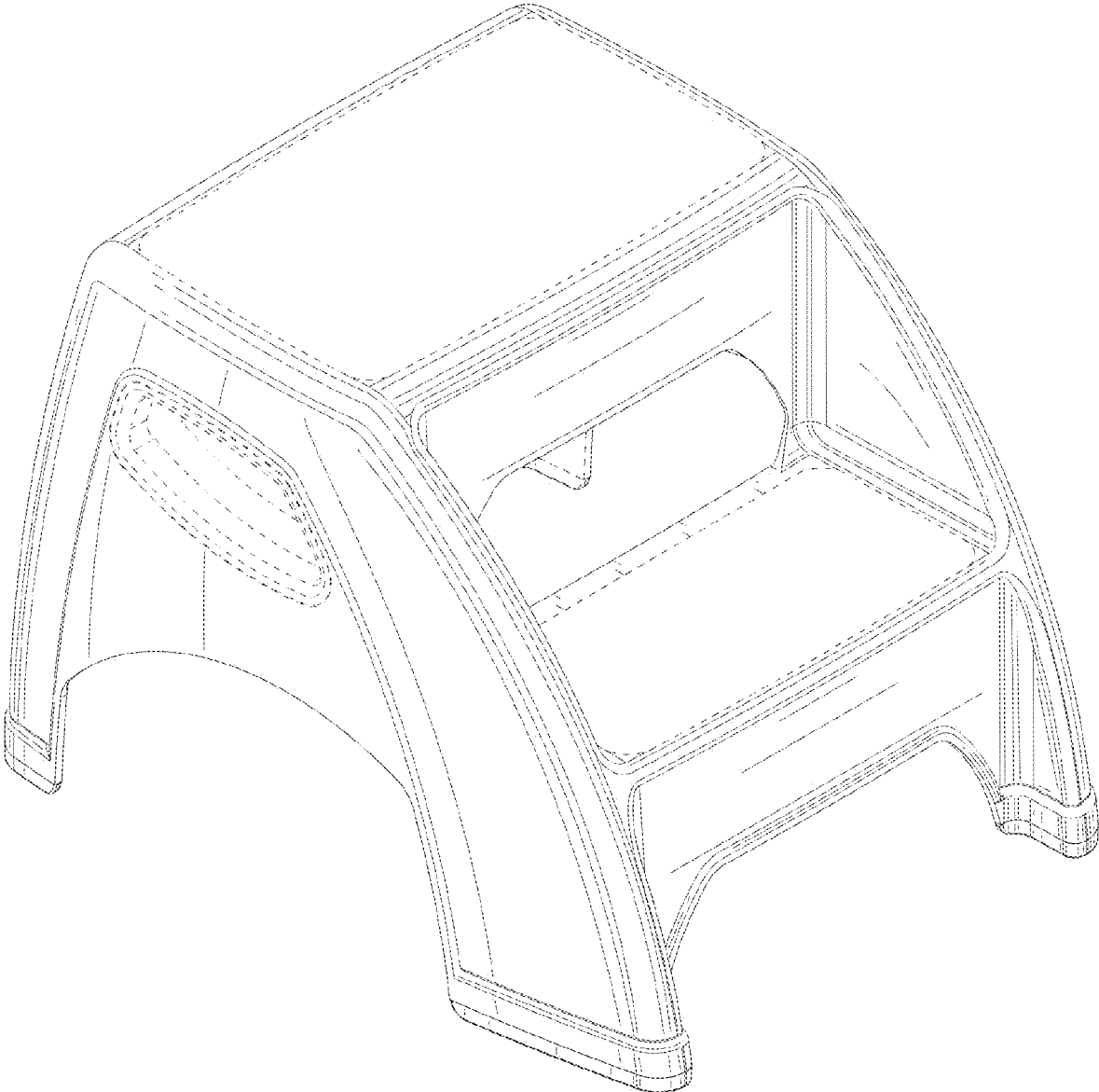


FIG. 1

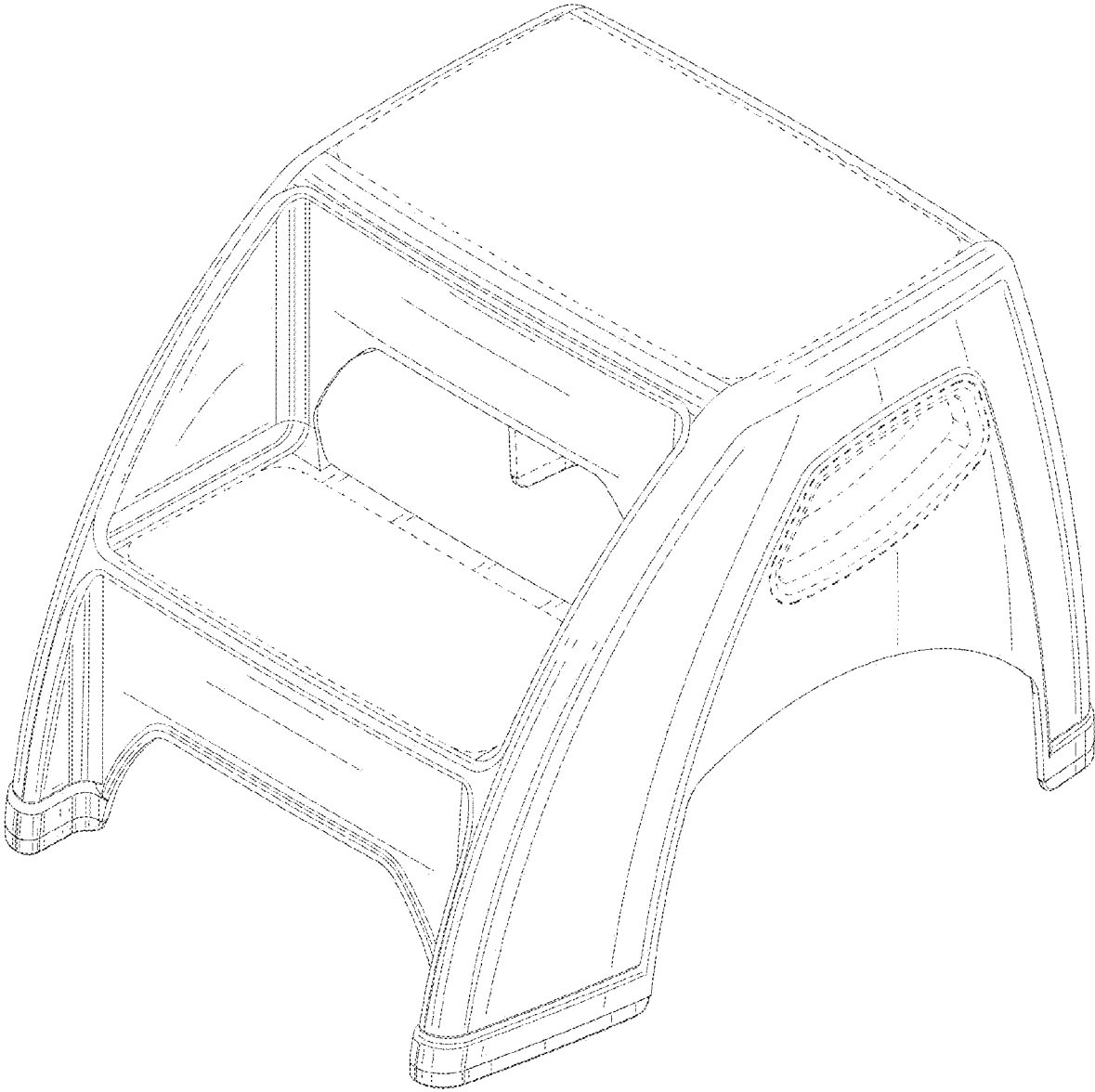


FIG. 2

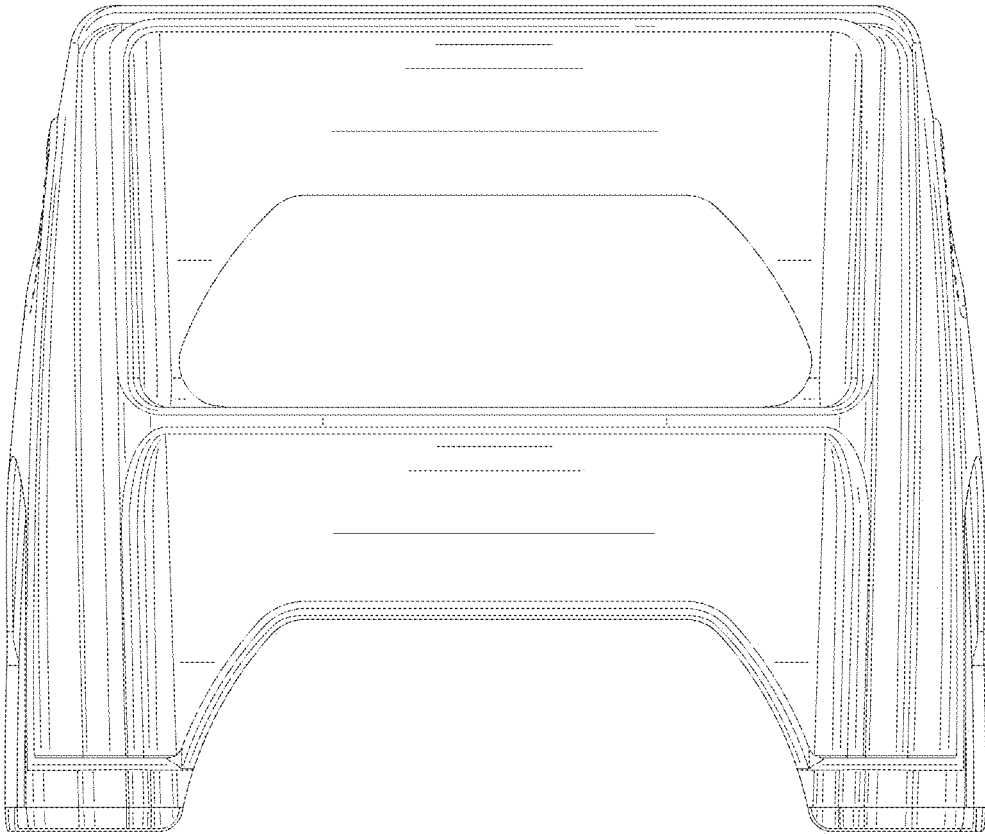


FIG. 3

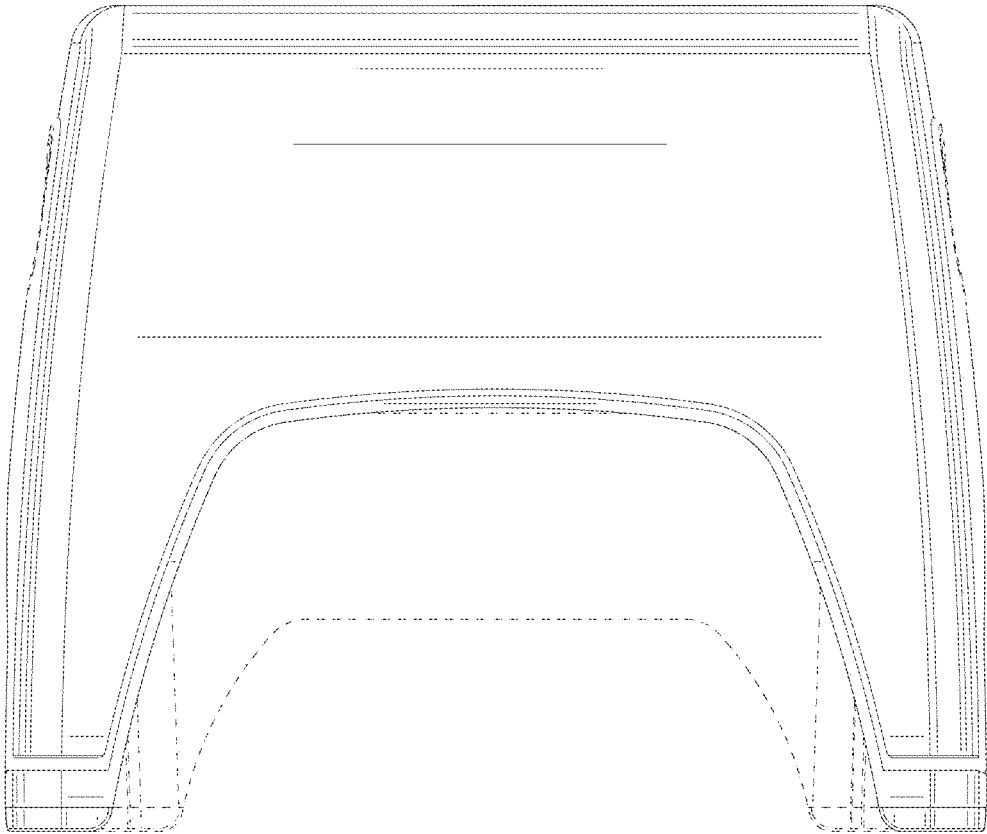


FIG. 4

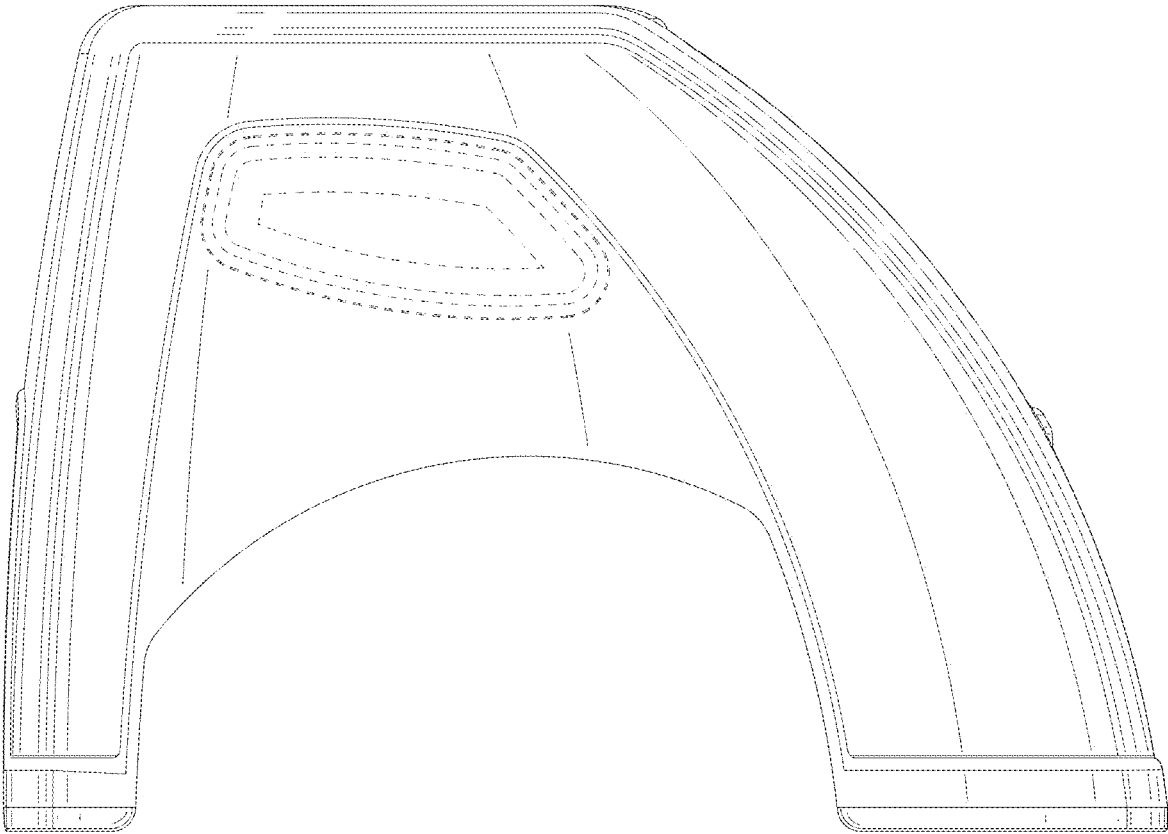


FIG. 5

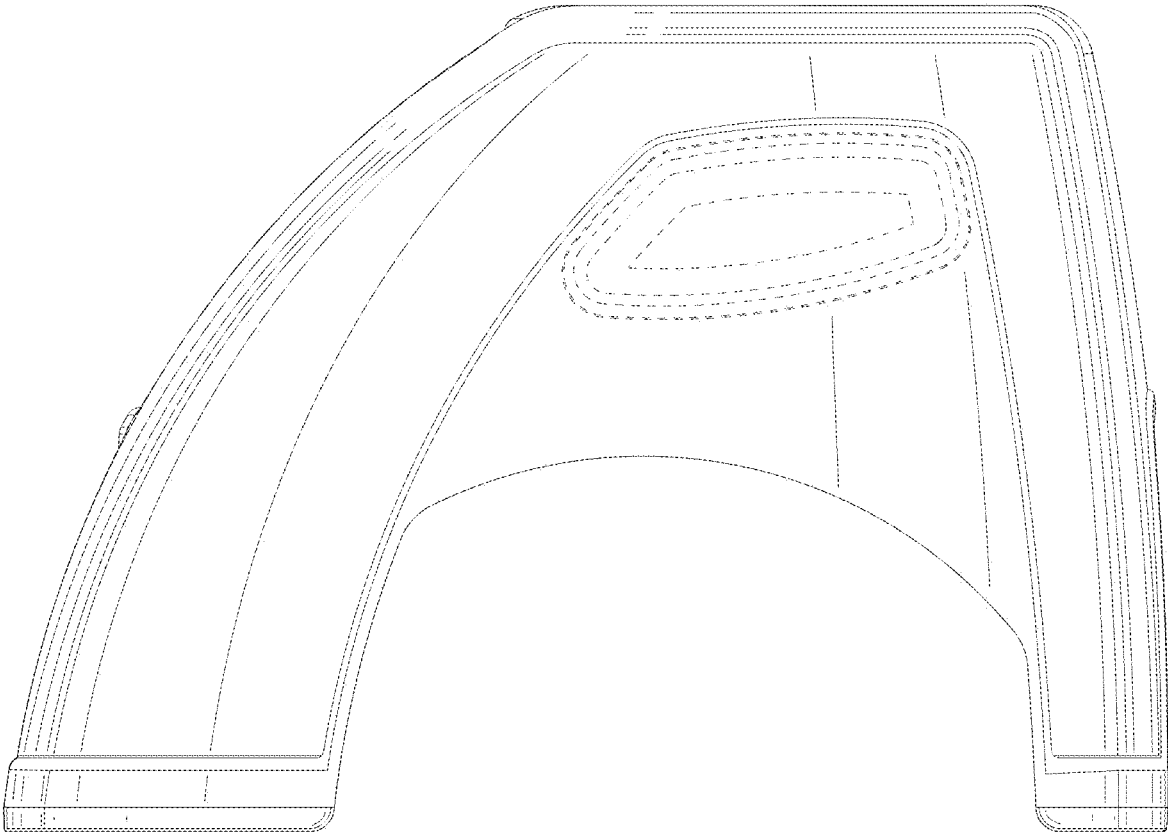


FIG. 6

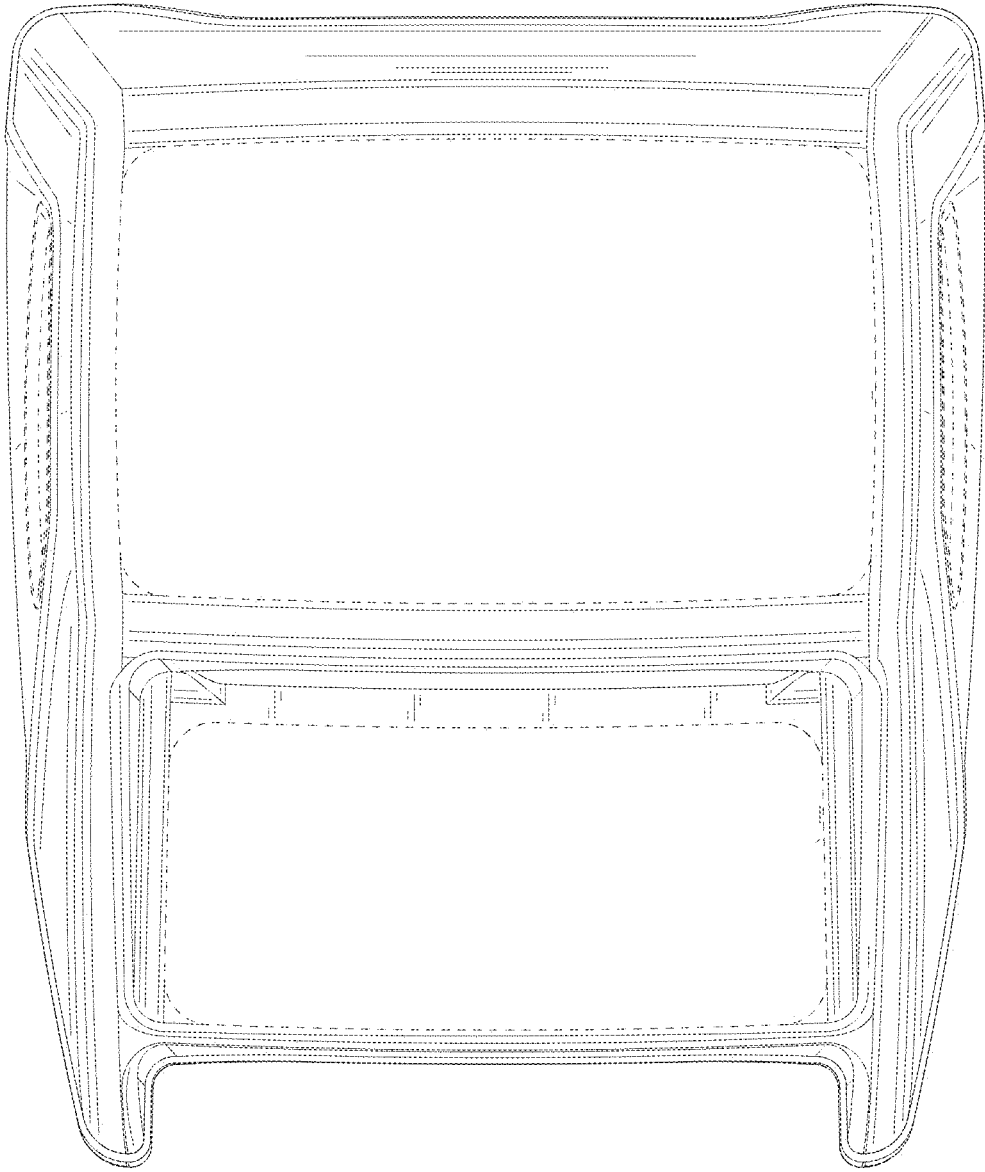


FIG. 7



FIG. 8