



US00D717410S

(12) **United States Design Patent**
Menno

(10) **Patent No.:** **US D717,410 S**

(45) **Date of Patent:** **** Nov. 11, 2014**

- (54) **FUSIBLE BRANCH SADDLE**
- (71) Applicant: **HDPE Solutions, LLC**, West Palm Beach, FL (US)
- (72) Inventor: **Chris Menno**, West Palm Beach, FL (US)
- (73) Assignee: **HDPE Solutions, LLC**, West Palm Beach, FL (US)
- (**) Term: **14 Years**
- (21) Appl. No.: **29/443,906**
- (22) Filed: **Jan. 24, 2013**
- (51) **LOC (10) Cl.** **23-01**
- (52) **U.S. Cl.**
USPC **D23/266**
- (58) **Field of Classification Search**
USPC D23/205, 213, 223, 224, 228, 229, 230, D23/259, 262, 263, 266; D24/129; D13/155; 138/103, 105, 109, 118, 138/118.1, 121, 122, 126, 128, 140, 154, 138/155, 157, 158, 167, 173, 177; 285/58, 285/83, 124.1, 124.5, 179, 179.1
See application file for complete search history.

3,980,325	A *	9/1976	Robertson	285/249
4,127,836	A *	11/1978	Slenker	336/136
4,688,833	A *	8/1987	Todd	285/148.14
5,076,318	A *	12/1991	Fedora	137/318
5,375,626	A *	12/1994	Fears	138/103
D419,652	S *	1/2000	Hall et al.	D23/259
D450,814	S *	11/2001	Aldred et al.	D23/259

* cited by examiner

Primary Examiner — Eric Goodman
Assistant Examiner — Daniel J Domino
(74) *Attorney, Agent, or Firm* — McHale & Slavin, P.A.

(57) **CLAIM**

The ornamental design for a fusible branch saddle, as shown and described.

DESCRIPTION

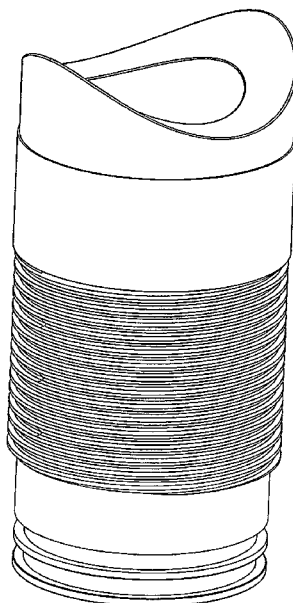
FIG. 1 is a front side perspective view of a fusible branch saddle;
FIG. 2 is a rear side perspective view thereof;
FIG. 3 is top perspective view thereof;
FIG. 4 is a bottom perspective view thereof;
FIG. 5 is a front plane view thereof;
FIG. 6 is a side plane view thereof;
FIG. 7 is a bottom view thereof;
FIG. 8 is a top view thereof; and,
FIG. 9 is an environmental perspective view, illustrating a fusible branch saddle of the instant invention secured to pipes at the top and bottom ends.
The broken lines shown in the figures are for the purpose of illustrating environment only and form no part of the claimed design.

(56) **References Cited**

U.S. PATENT DOCUMENTS

D88,666	S *	12/1932	Morse et al.	D23/266
2,173,399	A *	9/1939	Mills	138/99
2,200,583	A *	5/1940	Shepard	29/525
2,236,802	A *	4/1941	McDonald	138/113

1 Claim, 9 Drawing Sheets



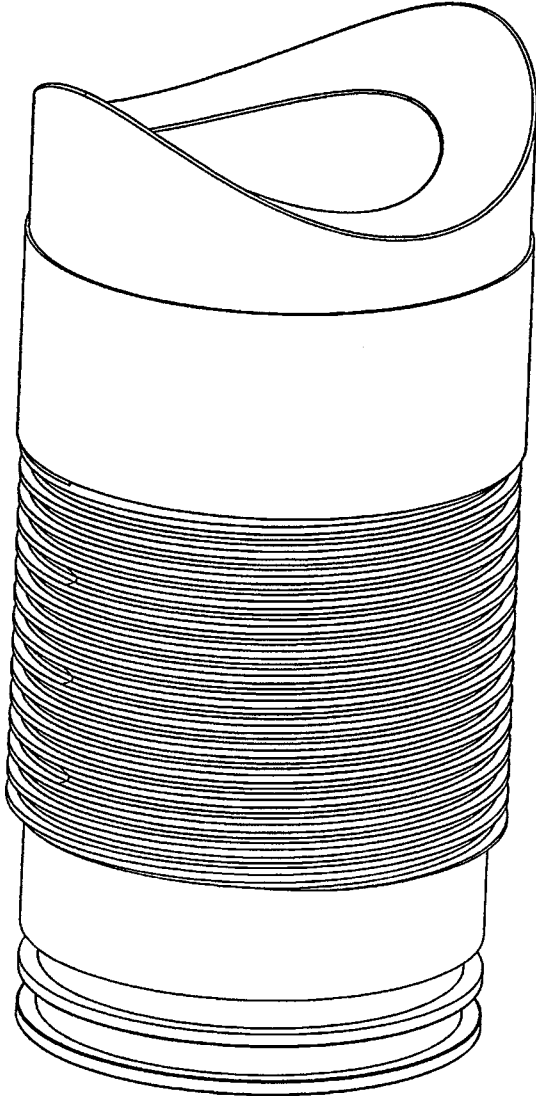


Figure 1.

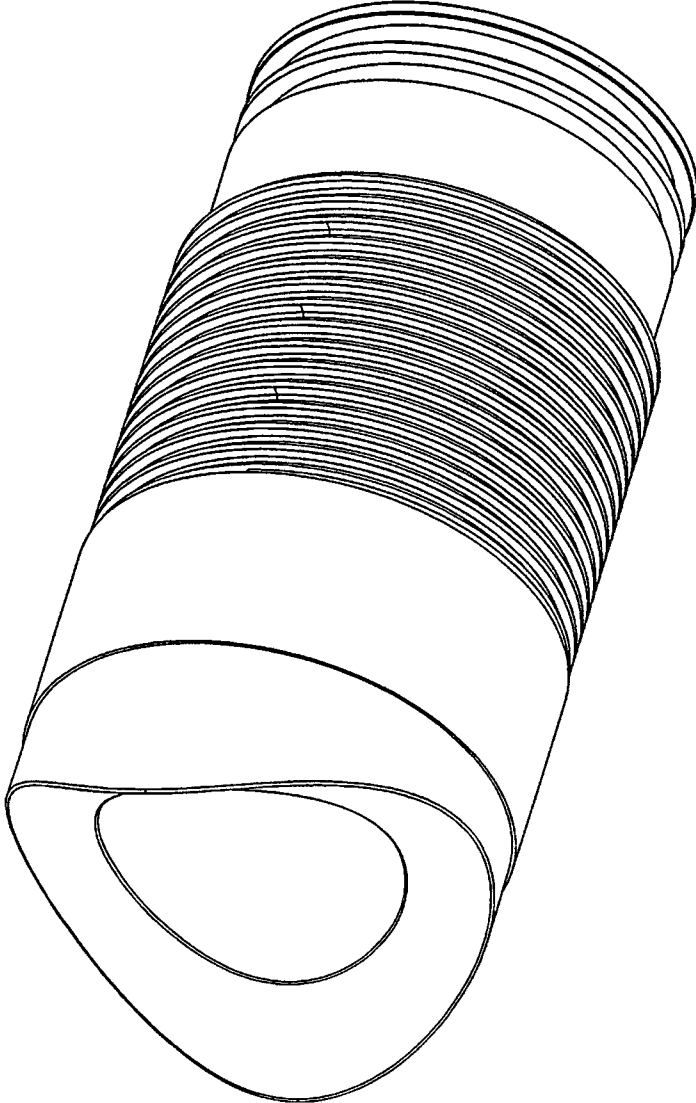


Figure 2.

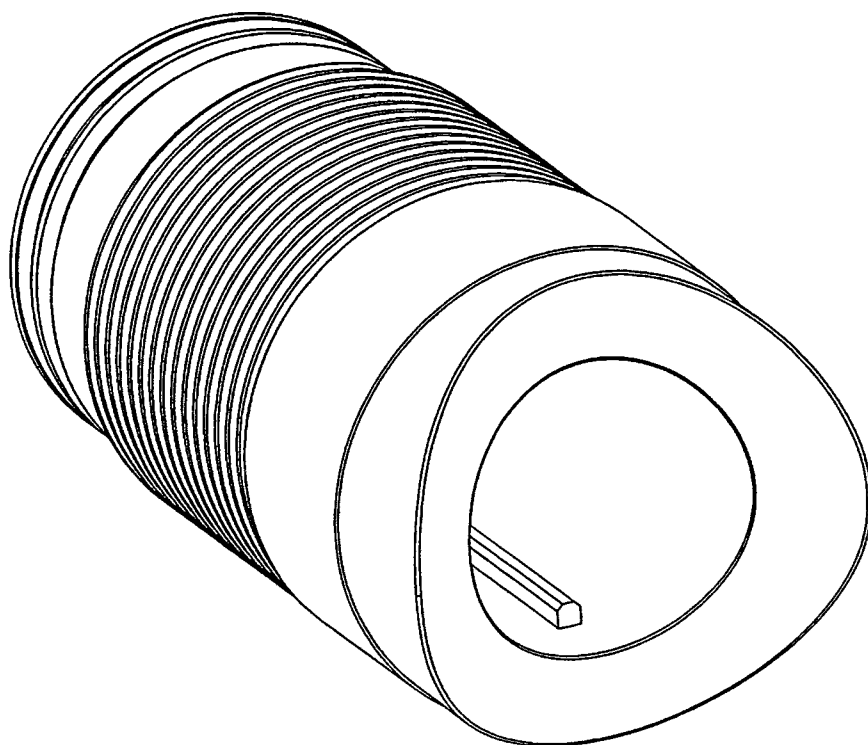


Figure 3.

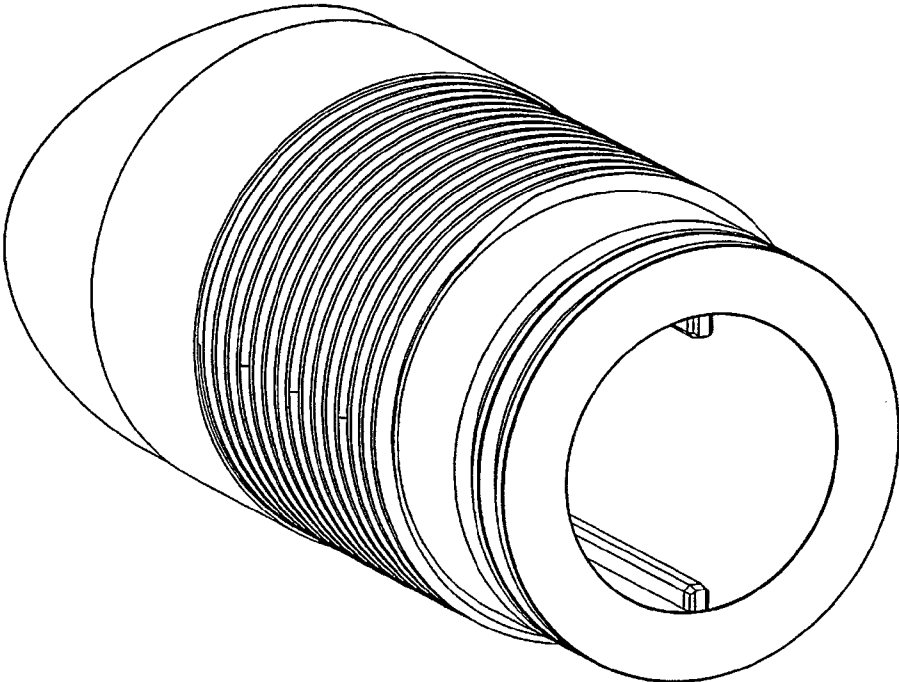


Figure 4.

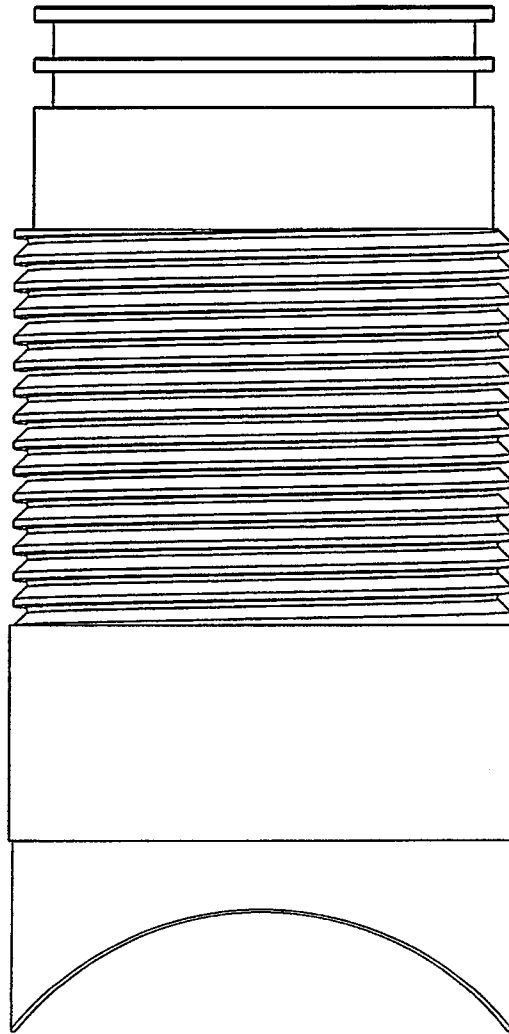


Figure 5.

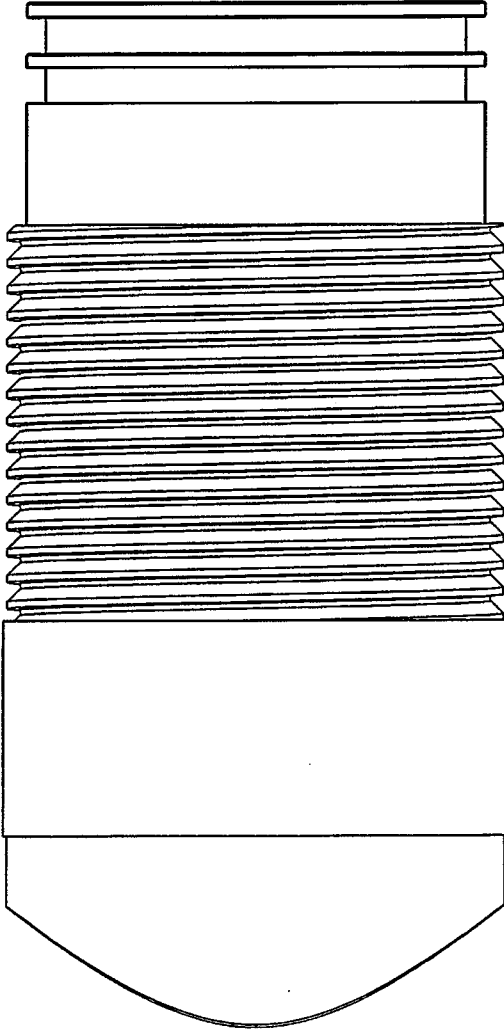


Figure 6.

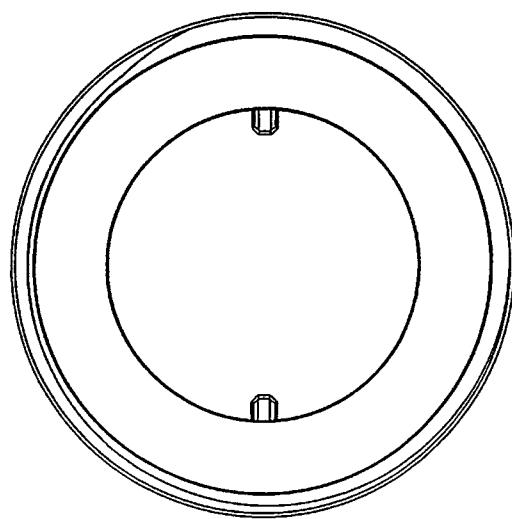


Figure 7.

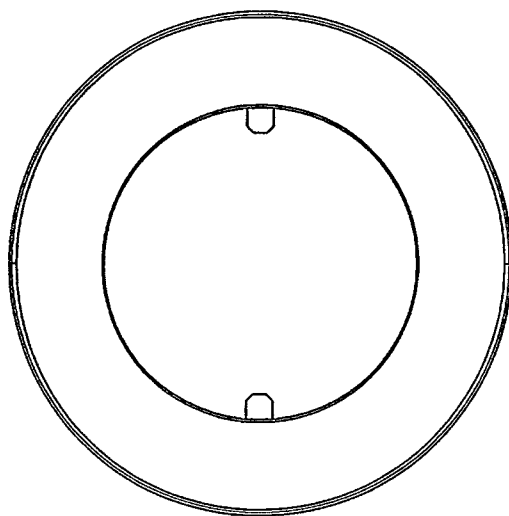


Figure 8.

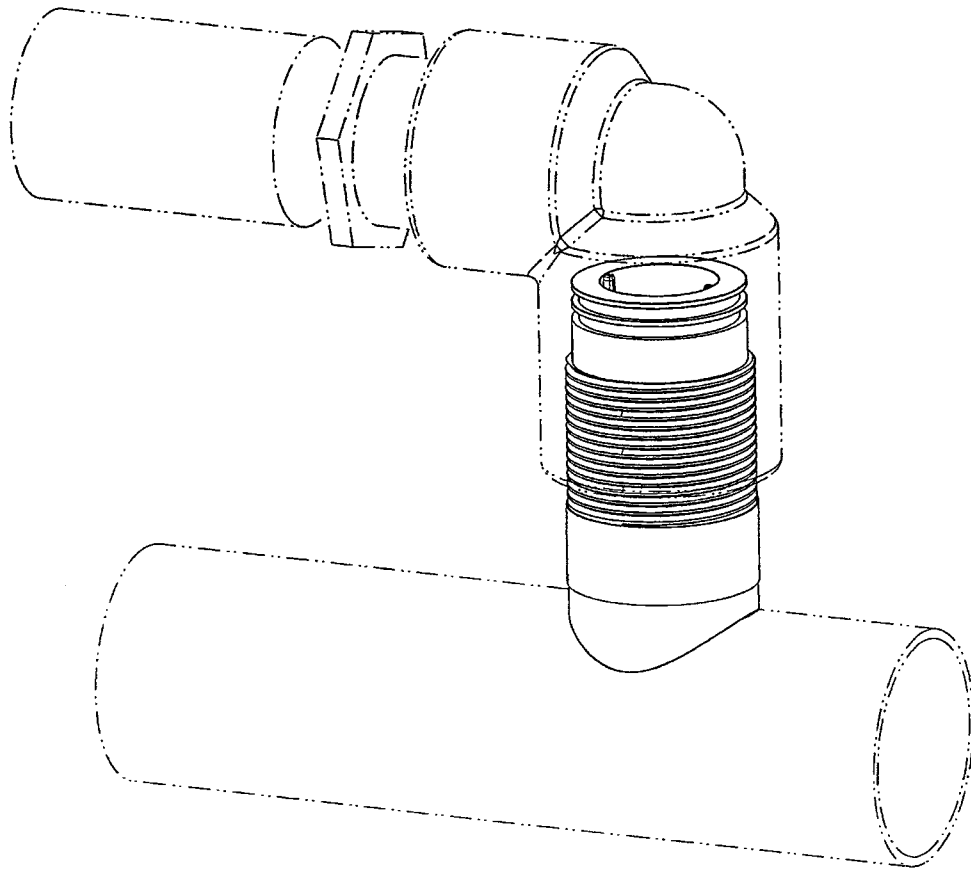


Figure 9.