



US00D779366S

(12) **United States Design Patent**
Rose

(10) **Patent No.:** **US D779,366 S**

(45) **Date of Patent:** **** Feb. 21, 2017**

- (54) **TWO-SIDED RING**
- (71) Applicant: **Roseark Inc.**, West Hollywood, CA (US)
- (72) Inventor: **Rick Rose**, West Hollywood, CA (US)
- (73) Assignee: **Roseark Inc.**, West Hollywood, CA (US)
- (**) Term: **15 Years**
- (21) Appl. No.: **29/538,306**

D230,254	S *	2/1974	Smith	D8/399
D285,543	S *	9/1986	Moser	D10/32
6,694,779	B1 *	2/2004	Dreger	A47G 21/16
					63/15
D492,216	S *	6/2004	Schubach	D11/26
D556,194	S *	11/2007	Rambosek	D11/2
D710,740	S *	8/2014	Schmidt	D11/26
D714,179	S *	9/2014	Park	D11/3
D754,356	S *	4/2016	Lee	D11/3
D766,234	S *	9/2016	Francis	D11/4
D767,565	S *	9/2016	Francis	D11/4
2005/0126224	A1 *	6/2005	Miley	A44C 9/00
					63/15

- (22) Filed: **Sep. 2, 2015**
- (51) **LOC (10) Cl.** **11-01**
- (52) **U.S. Cl.** **D11/26**
- (58) **Field of Classification Search**
- USPC D11/3-5, 26-43, 45, 79, 89-92; D7/633; D8/354, 356, 397, 399
- CPC A44C 5/00; A44C 7/00; A44C 7/002; A44C 7/004; A44C 9/00; A44C 9/0007; A44C 9/0015; A44C 9/0023; A44C 9/003; A44C 9/0038; A44C 9/0046; A44C 9/0053; A44C 9/0061; A44C 9/0069; A44C 9/0076; A44C 15/001; A44C 17/02; A44C 17/0208; A44C 17/0216; A44C 17/0225; A44C 17/0233; A44C 17/0241; A44C 17/025; A44C 17/0258
- See application file for complete search history.

* cited by examiner

Primary Examiner — Karen S Acker
Assistant Examiner — Wendy Arminio
 (74) *Attorney, Agent, or Firm* — Kristin Mazany Nevins; Offit Kurman, P.C.

(57) **CLAIM**

The ornamental design for a two-sided ring, as shown and described.

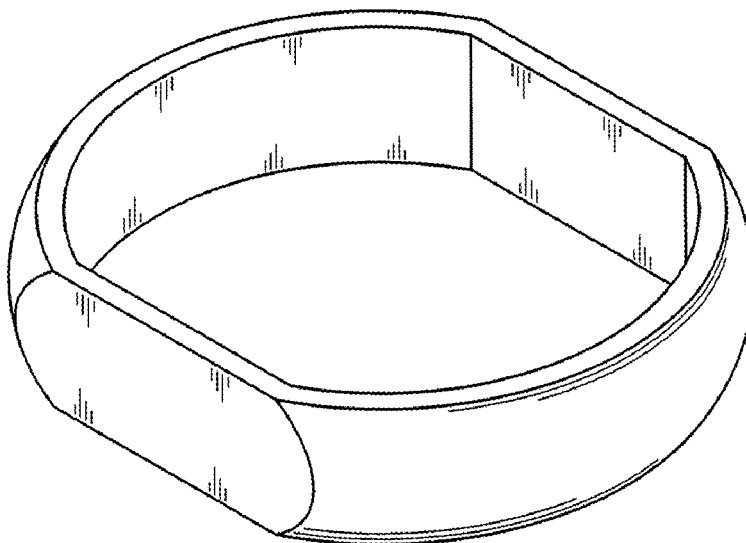
DESCRIPTION

FIG. 1 is a side isometric view of a two-sided ring; FIG. 2 is a front elevation view thereof; FIG. 3 is a rear elevation view thereof; FIG. 4 is a left side elevation view thereof; FIG. 5 is a right side elevation view thereof; FIG. 6 is a top view thereof; and, FIG. 7 is a bottom view thereof.

The two-sided ring has a unique design of two flat-sided surfaces that provide a locking mechanism to keep the ring in one position when worn on a finger.

1 Claim, 3 Drawing Sheets

- (56) **References Cited**
- U.S. PATENT DOCUMENTS
- D64,849 S * 6/1924 Granat 63/15
- D67,567 S * 6/1925 Alterton 63/15



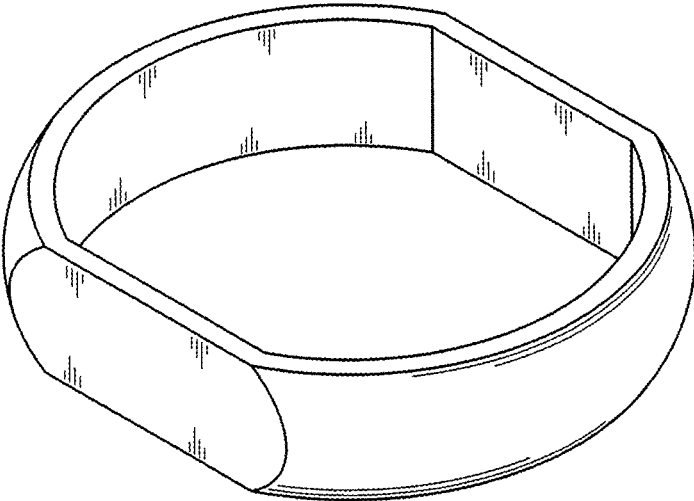


FIG. 1

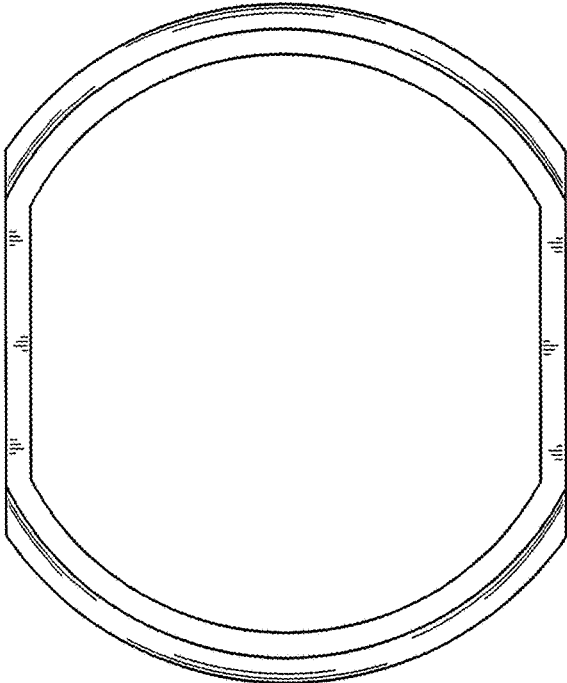


FIG. 2

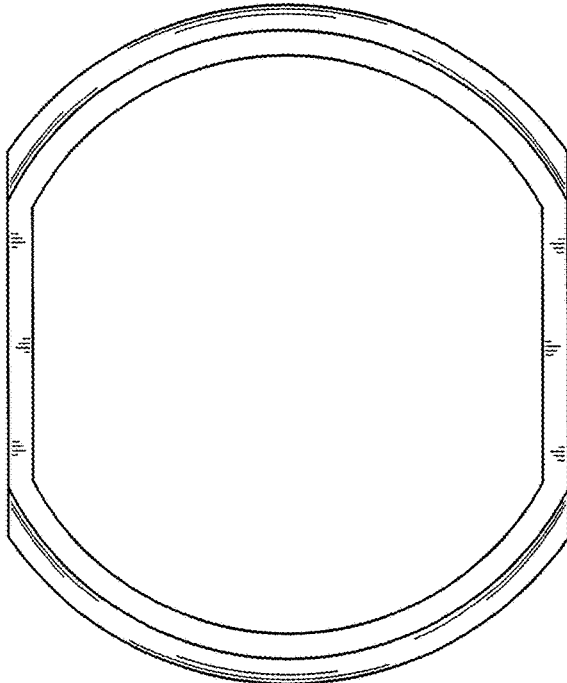


FIG. 3

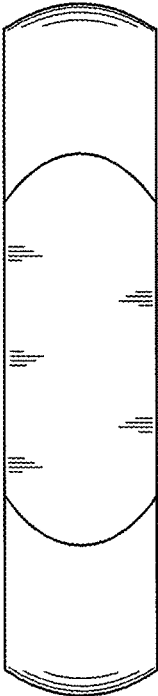


FIG. 4



FIG. 5

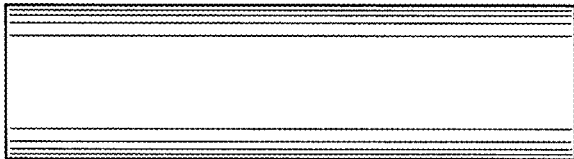


FIG. 6

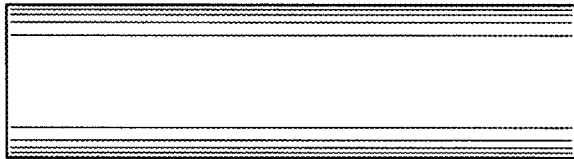


FIG. 7