

FIG. 3

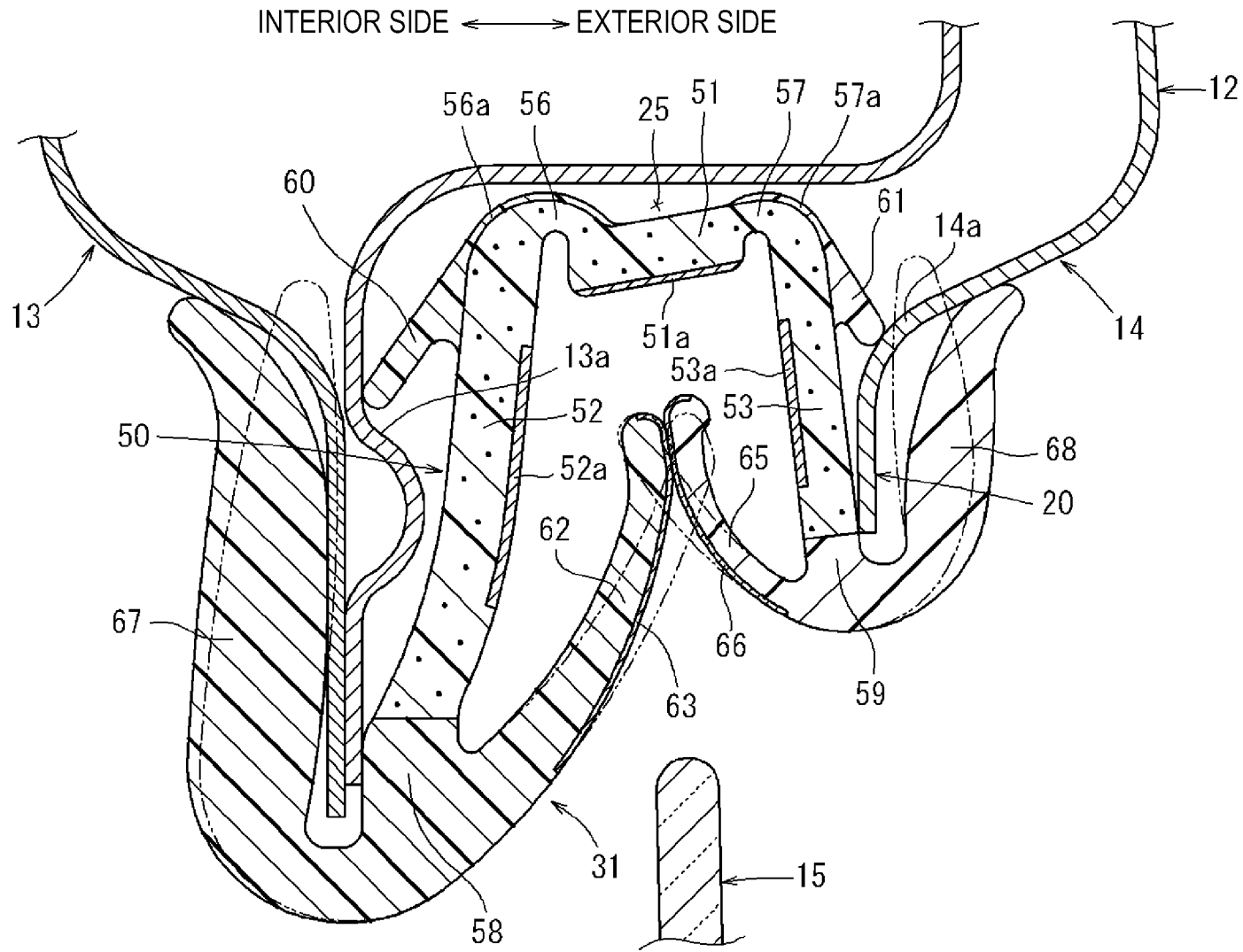
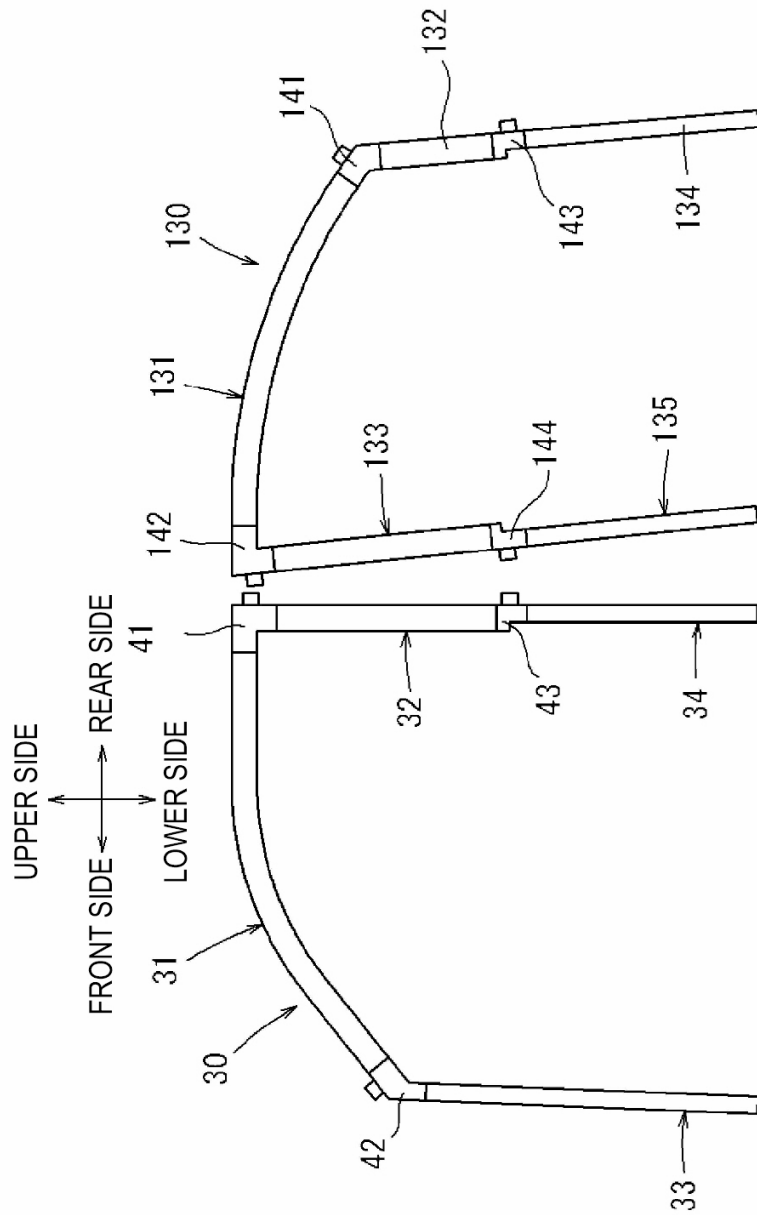
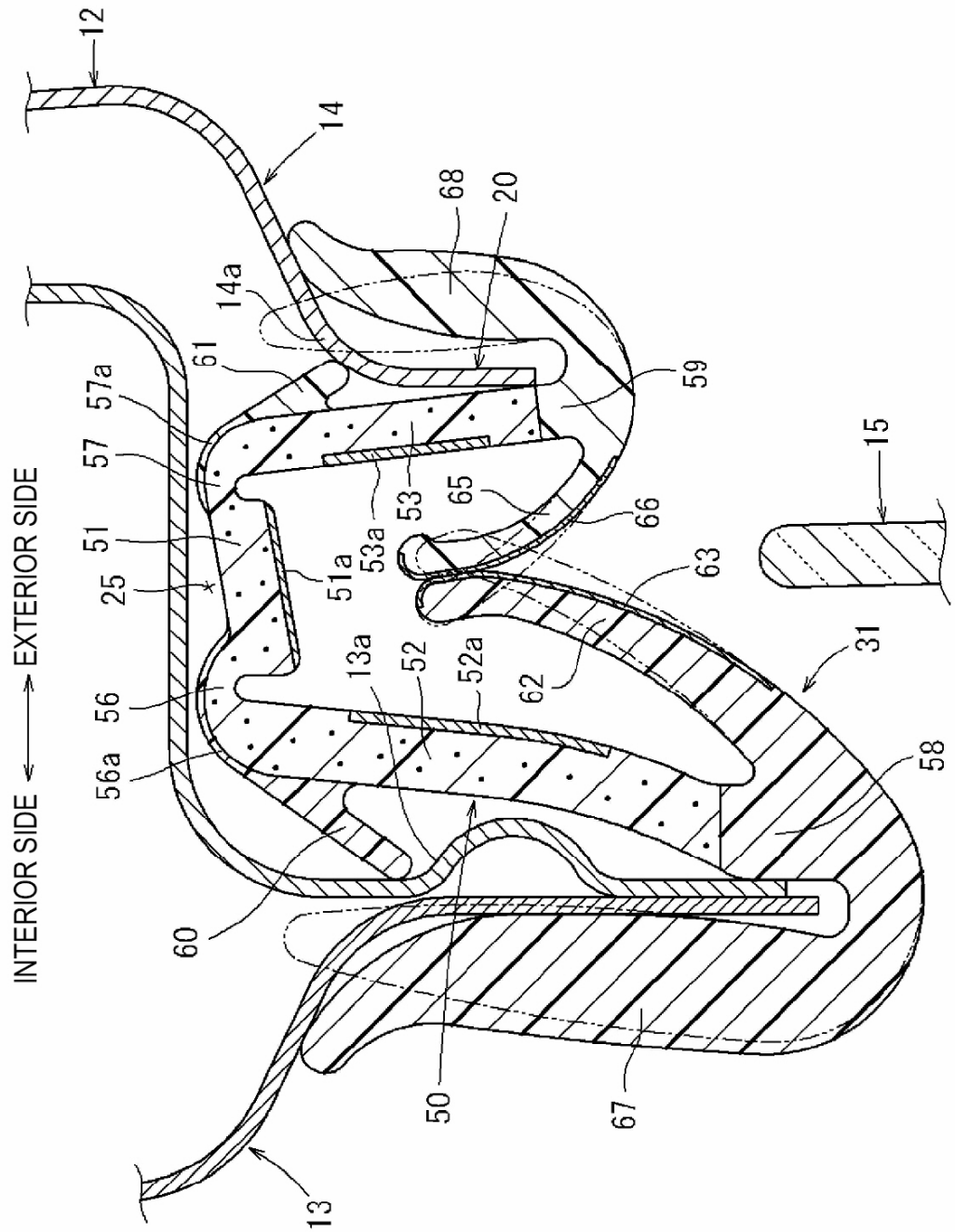


FIG. 2




(GIRISH VIJAYANAND SHETH) - IN/PA 1022
KRISHNA & SAURASTRI ASSOCIATES

FIG. 3



(GIRISH VIJAYANAND SHETH) - IN/PA 1022
KRISHNA & SAURASTRI ASSOCIATES

FIG. 4

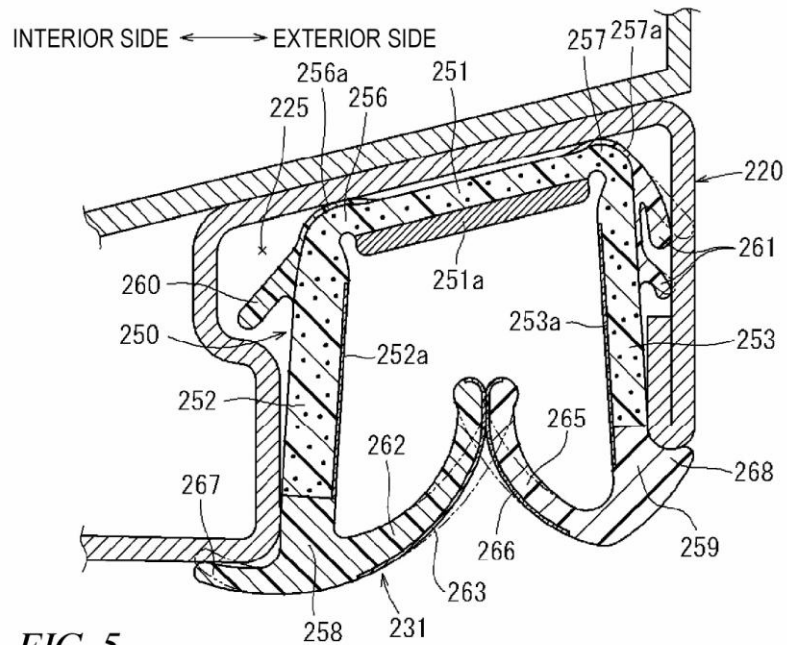


FIG. 5

