

(19) World Intellectual Property Organization  
International Bureau



(43) International Publication Date  
28 August 2008 (28.08.2008)

PCT

(10) International Publication Number  
WO 2008/103193 A3

- (51) International Patent Classification:  
F41C 7/11 (2006.01)
  - (21) International Application Number:  
PCT/US2007/080859
  - (22) International Filing Date: 9 October 2007 (09.10.2007)
  - (25) Filing Language: English
  - (26) Publication Language: English
  - (30) Priority Data:  
60/849,957 6 October 2006 (06.10.2006) US
  - (71) Applicant (for all designated States except US): COLT DEFENSE LLC [US/US]; P.O. Box 118, Hartford, CT 06141-0118 (US).
  - (72) Inventor; and
  - (75) Inventor/Applicant (for US only): KUCZYNSKI, Grzegorz [US/US]; 85 Burlington Road, Unionville, CT 06085-1376 (US).
  - (74) Agents: MARCOVICI, Janik et al.; Perman & Green, LLP, 425 Post Road, Fairfield, CT 06824 (US).
  - (81) Designated States (unless otherwise indicated, for every kind of national protection available): AE, AG, AL, AM, AT, AU, AZ, BA, BB, BG, BH, BR, BW, BY, BZ, CA, CH, CN, CO, CR, CU, CZ, DE, DK, DM, DO, DZ, EC, EE, EG, ES, FI, GB, GD, GE, GH, GM, GT, HN, HR, HU, ID, IL, IN, IS, JP, KE, KG, KM, KN, KP, KR, KZ, LA, LC, LK, LR, LS, LT, LU, LY, MA, MD, ME, MG, MK, MN, MW, MX, MY, MZ, NA, NG, NI, NO, NZ, OM, PG, PH, PL, PT, RO, RS, RU, SC, SD, SE, SG, SK, SL, SM, SV, SY, TJ, TM, TN, TR, TT, TZ, UA, UG, US, UZ, VC, VN, ZA, ZM, ZW.
  - (84) Designated States (unless otherwise indicated, for every kind of regional protection available): ARIPO (BW, GH, GM, KE, LS, MW, MZ, NA, SD, SL, SZ, TZ, UG, ZM, ZW), Eurasian (AM, AZ, BY, KG, KZ, MD, RU, TJ, TM), European (AT, BE, BG, CH, CY, CZ, DE, DK, EE, ES, FI, FR, GB, GR, HU, IE, IS, IT, LT, LU, LV, MC, MT, NL, PL, PT, RO, SE, SI, SK, TR), OAPI (BF, BJ, CF, CG, CI, CM, GA, GN, GQ, GW, ML, MR, NE, SN, TD, TG).
- Published:  
— with international search report
- (88) Date of publication of the international search report:  
30 October 2008

(54) Title: FIREARM HAVING REMOVABLE MODULES

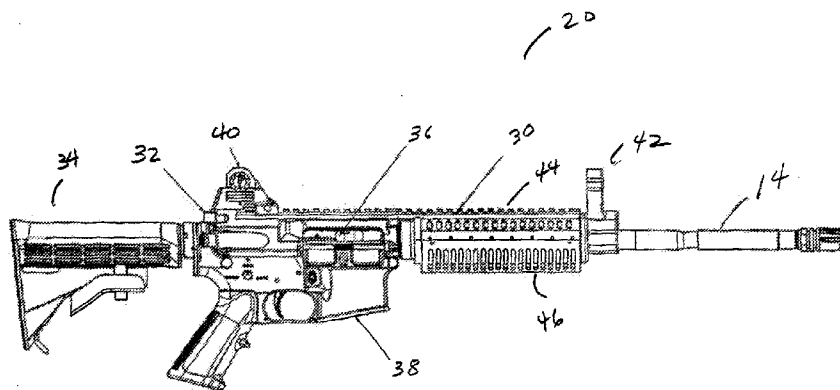


FIG. 1

(57) Abstract: A semi-automatic or automatic rifle. The rifle has a receiver having a receiver frame, a barrel removably connected to the receiver frame and a cover coupled to the barrel. A removable hand guard section extends over and generally surrounds the barrel, the removable hand guard section removably connected to the receiver. The removable hand guard section has a locating feature adapted to engage with the cover and locate the hand guard relative to the cover. The barrel has a locking collar adapted to removably position and lock the removable hand guard section relative to the receiver frame and the barrel. The removable hand guard floats in position relative to the barrel.

WO 2008/103193 A3

## INTERNATIONAL SEARCH REPORT

International application No.

PCT/US 07/80859

A. CLASSIFICATION OF SUBJECT MATTER IPC(8) - F41A 5/00 (2008.04) USPC - 89/185 According to International Patent Classification (IPC) or to both national classification and IPC		
B. FIELDS SEARCHED		
Minimum documentation searched (classification system followed by classification symbols) IPC(8): F41A 5/00 (2008.04) USPC: 89/185		
Documentation searched other than minimum documentation to the extent that such documents are included in the fields searched USPC: 89/185, 191.01; 42/69.02, 71.01, 75.01; 89/; 42/		
Electronic data base consulted during the international search (name of data base and, where practicable, search terms used) PubWEST (USPT, PGPB, EPAB, JPAB); Google/Patents; Google/Web Search Terms: rifle, removable, detachable, disconnect, separating, disengage, unfasten, hand, guard, protection, security, shield, safety, collar, lock, fastener, secure, bolt, screw, thread, pin, pinned, float, slide, move, adjust, receiver		
C. DOCUMENTS CONSIDERED TO BE RELEVANT		
Category*	Citation of document, with indication, where appropriate, of the relevant passages	Relevant to claim No.
Y	US 5,010,676 A (KENNEDY) 30 April 1991 (30.04.1991), entire document, especially Figs. 1-6; col 3, lns 18-23, 40-50; col 4, lns 45-68	1-25
Y	US 6,205,696 B1 (BILGERI) 27 March 2001 (27.03.2001), col 1, lns 5-8; col 2, lns 38-39; Fig. 1	1-20
Y	US 2006/0065112 A1 (KUCZYNSKI et al.) 30 March 2006 (30.03.2006), para [0003], [0054], [0055], [0057], [0058]; Figs. 12, 16 and 17	11-25
Y	US 5,590,484 A (MOONEY et al.) 07 January 1997 (07.01.1997), col 1, lns 5-8; col 2, lns 22-23; col 3, lns 18-23	2, 7, 12
A, P	US 2007/0033851 A1 (HOCHSTRATE et al.) 15 February 2007 (15.02.2007), Fig. 5	1-25
<input type="checkbox"/> Further documents are listed in the continuation of Box C. <input type="checkbox"/>		
<p>* Special categories of cited documents:</p> <p>"A" document defining the general state of the art which is not considered to be of particular relevance</p> <p>"E" earlier application or patent but published on or after the international filing date</p> <p>"L" document which may throw doubts on priority claim(s) or which is cited to establish the publication date of another citation or other special reason (as specified)</p> <p>"O" document referring to an oral disclosure, use, exhibition or other means</p> <p>"P" document published prior to the international filing date but later than the priority date claimed</p> <p>"T" later document published after the international filing date or priority date and not in conflict with the application but cited to understand the principle or theory underlying the invention</p> <p>"X" document of particular relevance; the claimed invention cannot be considered novel or cannot be considered to involve an inventive step when the document is taken alone</p> <p>"Y" document of particular relevance; the claimed invention cannot be considered to involve an inventive step when the document is combined with one or more other such documents, such combination being obvious to a person skilled in the art</p> <p>"&amp;" document member of the same patent family</p>		
Date of the actual completion of the international search 23 July 2008 (23.07.2008)		Date of mailing of the international search report <b>31 JUL 2008</b>
Name and mailing address of the ISA/US Mail Stop PCT, Attn: ISA/US, Commissioner for Patents P.O. Box 1450, Alexandria, Virginia 22313-1450 Facsimile No. 571-273-3201		Authorized officer: Lee W. Young  PCT Helpdesk: 571-272-4300 PCT OSP: 571-272-7774