



(51) International Patent Classification:

G01S 7/497 (2006.01) G01S 17/89 (2006.01)  
G01S 17/36 (2006.01)

(21) International Application Number:

PCT/IB2010/002216

(22) International Filing Date:

20 July 2010 (20.07.2010)

(25) Filing Language:

English

(26) Publication Language:

English

(30) Priority Data:

10 2009 035 337.2 22 July 2009 (22.07.2009) DE  
61/299,126 28 January 2010 (28.01.2010) US

(71) Applicant (for all designated States except US): FARO TECHNOLOGIES, INC. [US/US]; 125 Technology Park Drive, Lake Mary, FL 32746-6204 (US).

(72) Inventors; and

(75) Inventors/Applicants (for US only): OSSIG, Martin [DE/DE]; Wiesenstr. 23, 71732 Tamm (DE). SCHUMANN, Philipp [DE/DE]; Happoldstr. 35b, 70469 Stuttgart (DE).

(74) Agent: HELD, Thomas; Patentanwälte Hosenthien-Held und Dr. Held, Klopstockstr. 63-65, 70193 Stuttgart (DE).

(81) Designated States (unless otherwise indicated, for every kind of national protection available):

AE, AG, AL, AM, AO, AT, AU, AZ, BA, BB, BG, BH, BR, BW, BY, BZ, CA, CH, CL, CN, CO, CR, CU, CZ, DE, DK, DM, DO, DZ, EC, EE, EG, ES, FI, GB, GD, GE, GH, GM, GT, HN, HR, HU, ID, IL, IN, IS, JP, KE, KG, KM, KN, KP, KR, KZ, LA, LC, LK, LR, LS, LT, LU, LY, MA, MD, ME, MG, MK, MN, MW, MX, MY, MZ, NA, NG, NI, NO, NZ, OM, PE, PG, PH, PL, PT, RO, RS, RU, SC, SD, SE, SG, SK, SL, SM, ST, SV, SY, TH, TJ, TM, TN, TR, TT, TZ, UA, UG, US, UZ, VC, VN, ZA, ZM, ZW.

(84) Designated States (unless otherwise indicated, for every kind of regional protection available):

ARIPO (BW, GH, GM, KE, LR, LS, MW, MZ, NA, SD, SL, SZ, TZ, UG, ZM, ZW), Eurasian (AM, AZ, BY, KG, KZ, MD, RU, TJ, TM), European (AL, AT, BE, BG, CH, CY, CZ, DE, DK, EE, ES, FI, FR, GB, GR, HR, HU, IE, IS, IT, LT, LU, LV, MC, MK, MT, NL, NO, PL, PT, RO, SE, SI, SK, SM, TR), OAPI (BF, BJ, CF, CG, CI, CM, GA, GN, GQ, GW, ML, MR, NE, SN, TD, TG).

Published:

— with international search report (Art. 21(3))

(88) Date of publication of the international search report:

21 April 2011

(54) Title: METHOD FOR OPTICALLY SCANNING AND MEASURING AN OBJECT

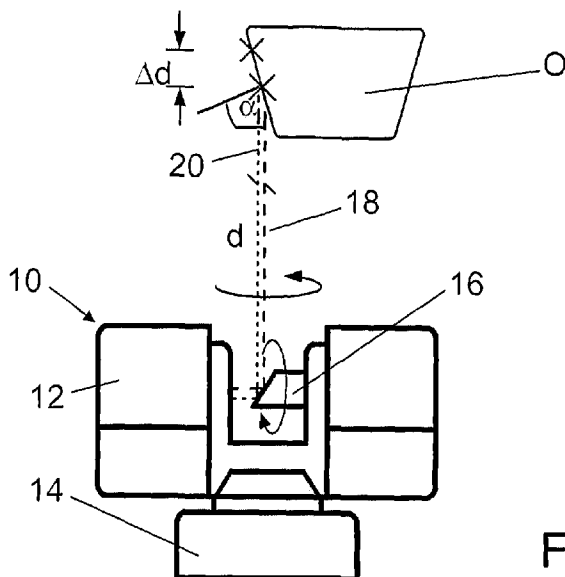


Fig. 1

(57) Abstract: In a method for optically scanning and measuring an object (O) by means of a laser scanner (10) by a procedure in which a emission light beam (18) modulated with a target frequency ( $\omega_0$ ) is emitted by means of a light emitter (17), a reception light beam (20) reflected or otherwise scattered in some way from an object (O) in the surroundings of the laser scanner (10) is received, with a measuring clock ( $f_M$ ), as a multiplicity of samples by means of a light receiver (21) and in each case at least the distance (d) from the object (O) is determined from the phase angles ( $\Phi$ ) of the multiplicity of samples for a plurality of measuring points (X) by means of a control and evaluation device (22), for determining the distances (d), a phase shift ( $\Delta\Phi$ ) caused by a distance difference ( $\Delta d$ ) of temporal adjacent samples is corrected in order to correct the distances (d).



# INTERNATIONAL SEARCH REPORT

International application No PCT/IB2010/002216
---

<b>A. CLASSIFICATION OF SUBJECT MATTER</b> INV. G01S7/497      G01S17/36      G01S17/89 ADD.				
According to International Patent Classification (IPC) or to both national classification and IPC				
<b>B. FIELDS SEARCHED</b>				
Minimum documentation searched (classification system followed by classification symbols) G01S				
Documentation searched other than minimum documentation to the extent that such documents are included in the fields searched				
Electronic data base consulted during the international search (name of data base and, where practical, search terms used) EPO-Internal, WPI Data				
<b>C. DOCUMENTS CONSIDERED TO BE RELEVANT</b>				
Category*	Citation of document, with indication, where appropriate, of the relevant passages	Relevant to claim No.		
Y	DE 20 2006 005643 U1 (FARO TECH INC [US]) 6 July 2006 (2006-07-06) cited in the application paragraphs [0001], [0052], [0053]; figure 1 -----	1-9		
Y	DE 196 01 875 A1 (SIEMENS AG [DE]) 24 July 1997 (1997-07-24) page 2, line 52 - page 3, line 6 -----	1-9		
A	WO 2005/008271 A2 (MUNRO JAMES F [US]) 27 January 2005 (2005-01-27) paragraphs [0020], [0025], [0044], [0046], [0048], [0115], [0118] - [0122], [0202] ----- -/--	1,8		
<table style="width: 100%; border: none;"> <tr> <td style="width: 50%; border: none;"><input checked="" type="checkbox"/> Further documents are listed in the continuation of Box C.</td> <td style="width: 50%; border: none;"><input checked="" type="checkbox"/> See patent family annex.</td> </tr> </table>			<input checked="" type="checkbox"/> Further documents are listed in the continuation of Box C.	<input checked="" type="checkbox"/> See patent family annex.
<input checked="" type="checkbox"/> Further documents are listed in the continuation of Box C.	<input checked="" type="checkbox"/> See patent family annex.			
* Special categories of cited documents :				
"A" document defining the general state of the art which is not considered to be of particular relevance "E" earlier document but published on or after the international filing date "L" document which may throw doubts on priority claim(s) or which is cited to establish the publication date of another citation or other special reason (as specified) "O" document referring to an oral disclosure, use, exhibition or other means "P" document published prior to the international filing date but later than the priority date claimed	"T" later document published after the international filing date or priority date and not in conflict with the application but cited to understand the principle or theory underlying the invention "X" document of particular relevance; the claimed invention cannot be considered novel or cannot be considered to involve an inventive step when the document is taken alone "Y" document of particular relevance; the claimed invention cannot be considered to involve an inventive step when the document is combined with one or more other such documents, such combination being obvious to a person skilled in the art. "&" document member of the same patent family			
Date of the actual completion of the international search	Date of mailing of the international search report			
28 January 2011	03/02/2011			
Name and mailing address of the ISA/ European Patent Office, P.B. 5818 Patentlaan 2 NL - 2280 HV Rijswijk Tel. (+31-70) 340-2040, Fax: (+31-70) 340-3016	Authorized officer  Beer, Mark			

## INTERNATIONAL SEARCH REPORT

International application No  
PCT/IB2010/002216

C(Continuation). DOCUMENTS CONSIDERED TO BE RELEVANT		
Category*	Citation of document, with indication, where appropriate, of the relevant passages	Relevant to claim No.
A	DE 198 50 118 A1 (SIEMENS AG [DE]) 11 May 2000 (2000-05-11) column 3, line 8 - column 5, line 50 -----	1,8
A	US 2008/309546 A1 (WAKAYAMA TOSHIO [JP] ET AL) 18 December 2008 (2008-12-18) the whole document -----	1,8
A	US 2005/141052 A1 (BECKER REINHARD [DE] ET AL) 30 June 2005 (2005-06-30) cited in the application the whole document -----	1,8

# INTERNATIONAL SEARCH REPORT

Information on patent family members

International application No PCT/IB2010/002216
---

Patent document cited in search report	Publication date	Patent family member(s)	Publication date
DE 202006005643 U1	06-07-2006	CN 101416024 A EP 2005112 A1 WO 2007118478 A1 JP 2009531674 T US 2010134596 A1	22-04-2009 24-12-2008 25-10-2007 03-09-2009 03-06-2010
-----			
DE 19601875 A1	24-07-1997	NONE	
-----			
WO 2005008271 A2	27-01-2005	AU 2003295944 A1 EP 1576385 A2 JP 2006521536 T	04-02-2005 21-09-2005 21-09-2006
-----			
DE 19850118 A1	11-05-2000	WO 0026612 A1	11-05-2000
-----			
US 2008309546 A1	18-12-2008	DE 102007052940 A1 JP 2008309582 A	18-12-2008 25-12-2008
-----			
US 2005141052 A1	30-06-2005	DE 20320216 U1 US 2009147319 A1	18-03-2004 11-06-2009
-----			