



- (51) International Patent Classification:  
*H02G 3/04* (2006.01)
- (21) International Application Number:  
PCT/IB2013/002391
- (22) International Filing Date:  
28 October 2013 (28.10.2013)
- (25) Filing Language: English
- (26) Publication Language: English
- (30) Priority Data:  
2012/08187 31 October 2012 (31.10.2012) ZA
- (72) Inventor; and  
(71) Applicant : ROWE, Donald [ZA/ZA]; 12 Oakhurst Estate, CNR Grippen & Trichard Roads, Bartlet, Boksburg, 1459 Gauteng (ZA).
- (74) Agent: GUNTER ATTORNEYS; P.O. Box 41323, Moreleta Ridge, 0044 Gauteng (ZA).
- (81) Designated States (unless otherwise indicated, for every kind of national protection available): AE, AG, AL, AM, AO, AT, AU, AZ, BA, BB, BG, BH, BN, BR, BW, BY, BZ, CA, CH, CL, CN, CO, CR, CU, CZ, DE, DK, DM, DO, DZ, EC, EE, EG, ES, FI, GB, GD, GE, GH, GM, GT, HN, HR, HU, ID, IL, IN, IR, IS, JP, KE, KG, KN, KP, KR, KZ, LA, LC, LK, LR, LS, LT, LU, LY, MA, MD, ME,

MG, MK, MN, MW, MX, MY, MZ, NA, NG, NI, NO, NZ, OM, PA, PE, PG, PH, PL, PT, QA, RO, RS, RU, RW, SA, SC, SD, SE, SG, SK, SL, SM, ST, SV, SY, TH, TJ, TM, TN, TR, TT, TZ, UA, UG, US, UZ, VC, VN, ZA, ZM, ZW.

- (84) Designated States (unless otherwise indicated, for every kind of regional protection available): ARIPO (BW, GH, GM, KE, LR, LS, MW, MZ, NA, RW, SD, SL, SZ, TZ, UG, ZM, ZW), Eurasian (AM, AZ, BY, KG, KZ, RU, TJ, TM), European (AL, AT, BE, BG, CH, CY, CZ, DE, DK, EE, ES, FI, FR, GB, GR, HR, HU, IE, IS, IT, LT, LU, LV, MC, MK, MT, NL, NO, PL, PT, RO, RS, SE, SI, SK, SM, TR), OAPI (BF, BJ, CF, CG, CI, CM, GA, GN, GQ, GW, KM, ML, MR, NE, SN, TD, TG).

**Declarations under Rule 4.17:**

— of inventorship (Rule 4.17(iv))

**Published:**

— with international search report (Art. 21(3))

— before the expiration of the time limit for amending the claims and to be republished in the event of receipt of amendments (Rule 48.2(h))

- (88) Date of publication of the international search report:  
26 June 2014

(54) Title: CABLE COVER ASSEMBLY

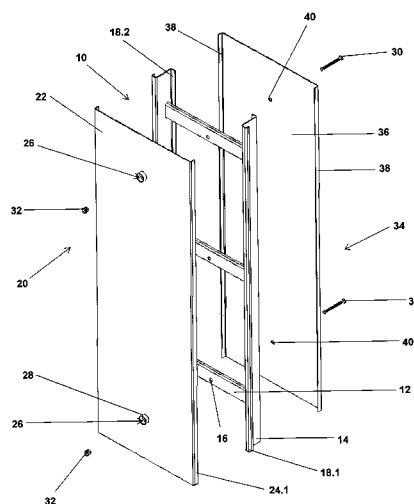


FIGURE 4

(57) Abstract: The invention relates to a tamper-resistant cable cover assembly suitable for covering cables that are carried by a cable rack [42] or cable ladder [10] so as to protect such cables against unauthorised tampering or vandalism. The cable cover assembly comprises a cable cover plate [20] which is adapted to engage the cable rack, tray [42] or ladder [10] so as at least partially to sandwich the cables between the cable cover plate [20] and the cable rack, tray [42] or ladder [10]; and connecting means for connecting the cable cover plate [20] to the cable rack [42], tray or ladder [10]. The cable cover assembly also may include a backing plate [34 or 50] which is adapted to engage the cable rack, tray [42] or ladder [10], the arrangement being such that the cable cover plate [20] engages the cable rack, tray [42] or ladder [10] from one side thereof, while the backing plate [34 or 50] engages the cable rack, tray [42] or ladder [10] from an opposite side thereof, so as at least partially to sandwich the cable rack, tray [42] or ladder [10] between the cable cover plate [20] and the backing plate [34 or 50].



## INTERNATIONAL SEARCH REPORT

International application No.

PCT / IB 2013/002391

A. CLASSIFICATION OF SUBJECT MATTER IPC: <b>H02G 3/04</b> (2006.01) According to International Patent Classification (IPC) or to both national classification and IPC		
B. FIELDS SEARCHED Minimum documentation searched (classification system followed by classification symbols) H02G Documentation searched other than minimum documentation to the extent that such documents are included in the fields searched		
Electronic data base consulted during the international search (name of data base and, where practicable, search terms used) WPI, EPODOC		
C. DOCUMENTS CONSIDERED TO BE RELEVANT		
Category*	Citation of document, with indication, where appropriate, of the relevant passages	Relevant to claim No.
X	EP 1950857 A1 (BTICINO S.P.A) 30 July 2008 (30.07.2008) whole document	1-7, 9-11
X	WO 2007127797 A2 (FOX, RONALD, W) 08 November 2007 (08.11.2007) fig. 1 and description of figure and paragraph [0018]	1, 4-6
X	WO 2012057718 A2 (KIRAC METAL UERUENLERI SAN. VE TIC. LTD) 03 May 2012 (03.05.2012) fig. 1 and description of figure	1
X	EP 0409806 A2 (GAMMA P INDUSTRIALE SOCIETA PER AZIONI) 23 January 1991 (23.01.1991) fig. 4 and description of figure	1
<input type="checkbox"/> Further documents are listed in the continuation of Box C.		<input checked="" type="checkbox"/> See patent family annex.
* Special categories of cited documents: "A" document defining the general state of the art which is not considered to be of particular relevance "E" earlier application or patent but published on or after the international filing date "L" document which may throw doubts on priority claim(s) or which is cited to establish the publication date of another citation or other special reason (as specified) "O" document referring to an oral disclosure, use, exhibition or other means "P" document published prior to the international filing date but later than the priority date claimed		"T" later document published after the international filing date or priority date and not in conflict with the application but cited to understand the principle or theory underlying the invention "X" document of particular relevance; the claimed invention cannot be considered novel or cannot be considered to involve an inventive step when the document is taken alone "Y" document of particular relevance; the claimed invention cannot be considered to involve an inventive step when the document is combined with one or more other such documents, such combination being obvious to a person skilled in the art "&" document member of the same patent family
Date of the actual completion of the international search 29 April 2014 (29.04.2014)	Date of mailing of the international search report 07 May 2014 (07.05.2014)	
Name and mailing address of the ISA/AT Austrian Patent Office Dresdner Straße 87, A-1200 Vienna Facsimile No. +43 / 1 / 534 24-535	Authorized officer KOSKARTI F. Telephone No. +43 / 1 / 534 24-326	

**INTERNATIONAL SEARCH REPORT**

International application No.

PCT / IB 2013/002391

**Box No. II Observations where certain claims were found unsearchable (Continuation of item 2 of first sheet)**

This international search report has not been established in respect of certain claims under Article 17(2)(a) for the following reasons:

1.  Claims Nos.:

because they relate to subject matter not required to be searched by this Authority, namely:

2.  Claims Nos.: 15

because they relate to parts of the international application that do not comply with the prescribed requirements to such an extent that no meaningful international search can be carried out, specifically:

Claim 15 is no further characterization of the device of claim 1. The claim only refers to the drawings in general with no specific technical features. Therefore no search for this claim has been established.

3.  Claims Nos.:

because they are dependent claims and are not drafted in accordance with the second and third sentences of Rule 6.4(a).

**Box No. III Observations where unity of invention is lacking (Continuation of item 3 of first sheet)**

This International Searching Authority found multiple inventions in this international application, as follows:

1.  As all required additional search fees were timely paid by the applicant, this international search report covers all searchable claims.

2.  As all searchable claims could be searched without effort justifying additional fees, this Authority did not invite payment of additional fees.

3.  As only some of the required additional search fees were timely paid by the applicant, this international search report covers only those claims for which fees were paid, specifically claims Nos.:

4.  No required additional search fees were timely paid by the applicant. Consequently, this international search report is restricted to the invention first mentioned in the claims; it is covered by claims Nos.:

**Remark on Protest**

The additional search fees were accompanied by the applicant's protest and, where applicable, the payment of a protest fee.

The additional search fees were accompanied by the applicant's protest but the applicable protest fee was not paid within the time limit specified in the invitation.

No protest accompanied the payment of additional search fees.

**INTERNATIONAL SEARCH REPORT**  
Information on patent family members

International application No.

PCT / IB 2013/002391

Patent document cited in search report			Patent family member(s)			Publication date
EP	A1	1950857	ES	T3	2384475	2012-07-05
			AT	T	554520	2012-05-15
			PT	E	1950857	2012-06-18
			EP	A1	1950857	2008-07-30
WO	A2	2007127797	WO	A2	2007127797	2007-11-08
			EP	A2	2020064	2009-02-04
			US	A1	2006201696	2006-09-14
WO	A2	2012057718	WO	A2	2012057718	2012-05-03
			TR	A2	201008966	2012-05-21
EP	A2	0409806	IT	Z2	216745	1991-10-03
			EP	A2	0409806	1991-01-23