



US00D748967S

(12) **United States Design Patent**
Greene

(10) **Patent No.:** **US D748,967 S**

(45) **Date of Patent:** **** Feb. 9, 2016**

(54) **WATER KEY**

(71) Applicant: **Marion Greene**, Duluth, GA (US)

(72) Inventor: **Marion Greene**, Duluth, GA (US)

(**) Term: **14 Years**

(21) Appl. No.: **29/496,036**

(22) Filed: **Jul. 8, 2014**

(51) **LOC (10) Cl.** **08-07**

(52) **U.S. Cl.**
USPC **D8/347**

(58) **Field of Classification Search**
USPC D8/347, 348, 330, 343, 367, 400, 499;
70/6, 7, 14, 15, 57.1, 336, 344, 352,
70/416, 429, 430, 450, 465, 466

CPC E05B 13/00; E05B 15/00; E05B 17/00;
E05B 19/22

See application file for complete search history.

(56) **References Cited**

U.S. PATENT DOCUMENTS

2,439,997 A * 4/1948 Williams 84/397
D283,160 S * 3/1986 Steinman D24/229

D290,581 S * 6/1987 Hughes D8/347
4,747,282 A * 5/1988 Nyun 70/426
D306,820 S * 3/1990 Crumpler et al. D8/347
D486,723 S * 2/2004 Chang D8/347
7,043,945 B2 * 5/2006 Hollingsworth 70/16
D625,167 S * 10/2010 Wu D8/347
D698,622 S * 2/2014 Rivers D8/347
D708,043 S * 7/2014 Sonnendorfer et al. D8/347

* cited by examiner

Primary Examiner — Prabhakar Deshmukh

(74) *Attorney, Agent, or Firm* — Dilworth IP LLC

(57) **CLAIM**

The ornamental design for a water key, as shown and described.

DESCRIPTION

FIG. 1 is a front elevational view of a water key showing my new design;

FIG. 2 is a right side elevational view thereof;

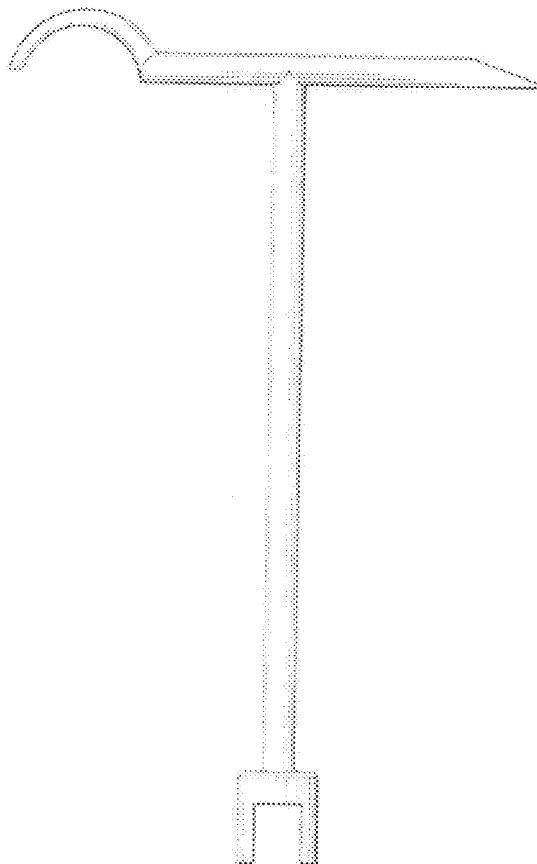
FIG. 3 is a rear elevational view thereof;

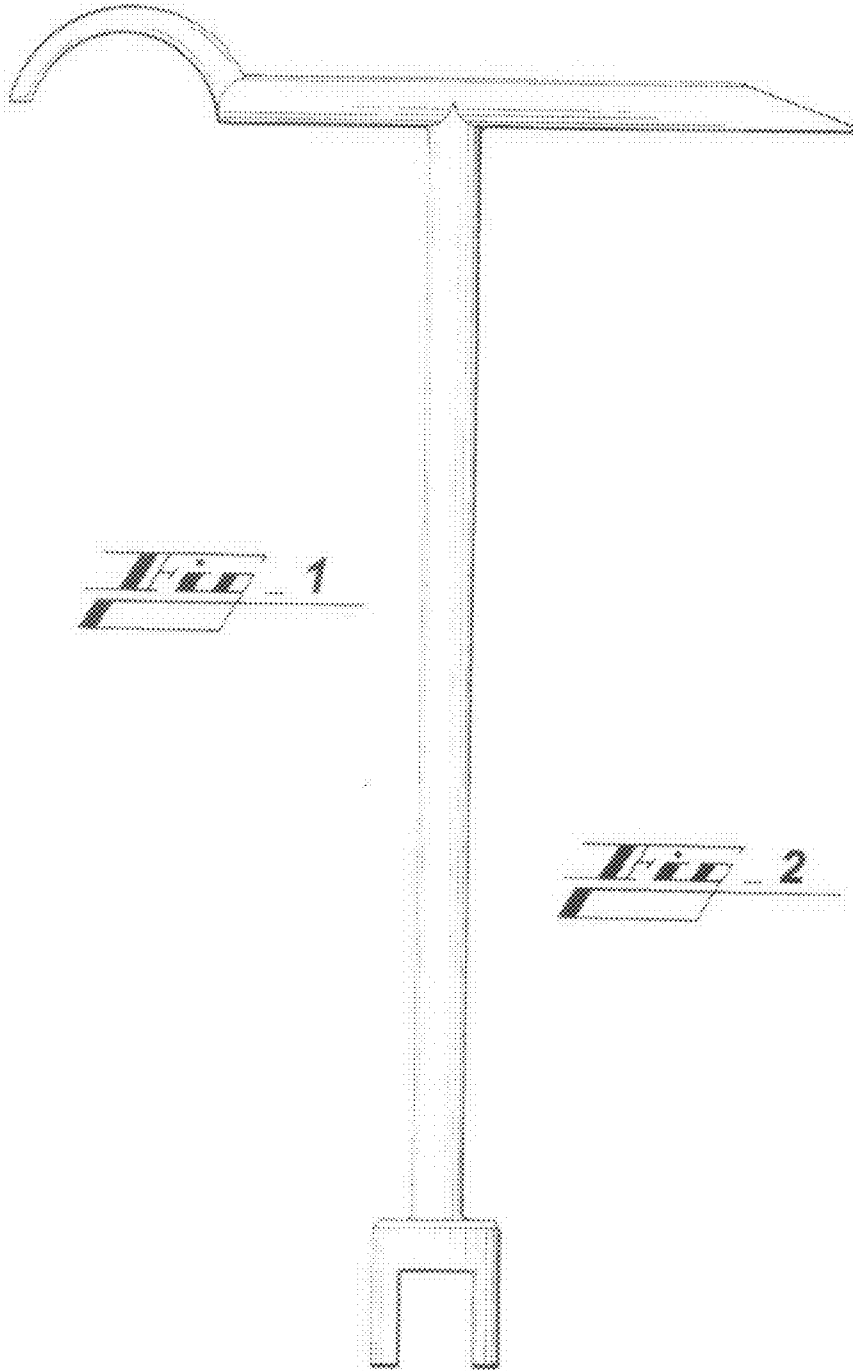
FIG. 4 is a left side elevational view thereof;

FIG. 5 is a top plan view thereof; and,

FIG. 6 is a bottom plan view thereof.

1 Claim, 3 Drawing Sheets





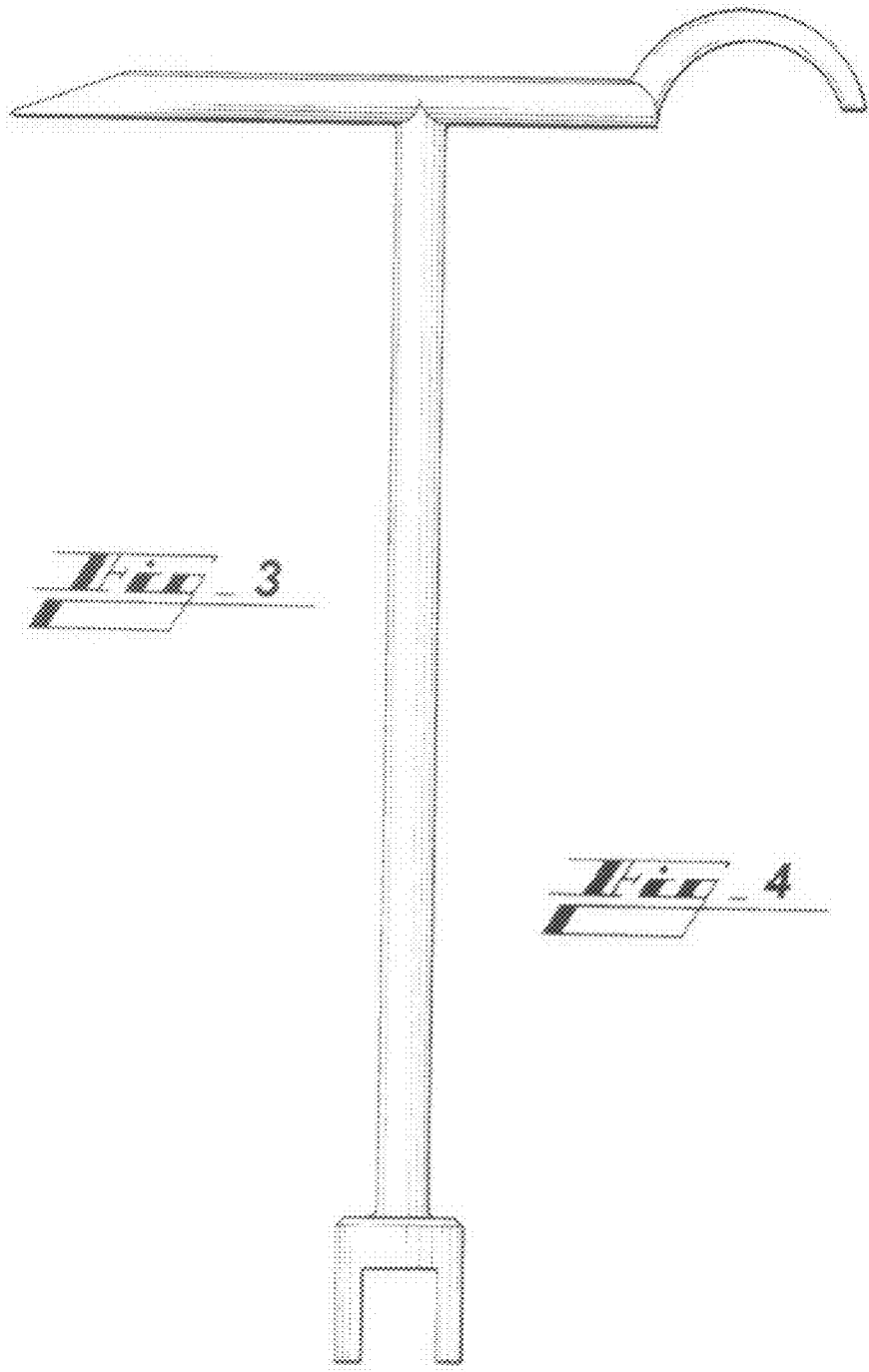


Fig. 3

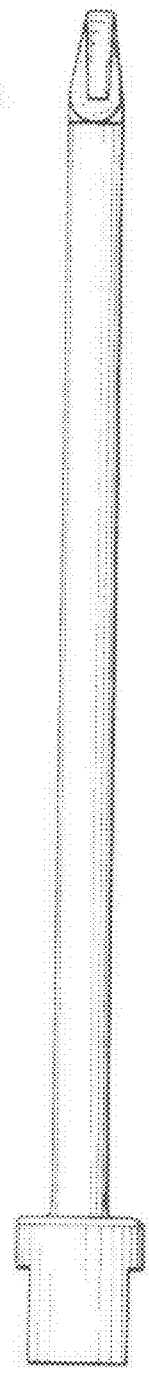


Fig. 4

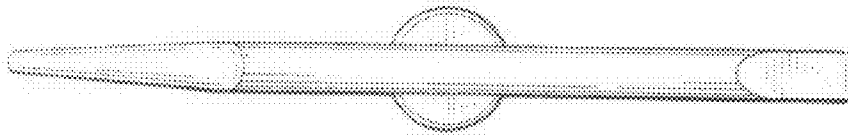


Fig. 5

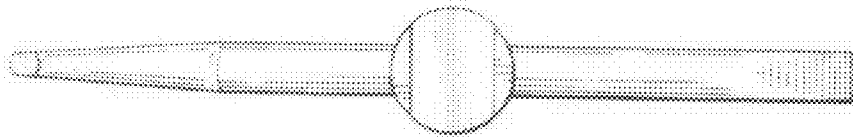


Fig. 6