

(19) World Intellectual Property
Organization
International Bureau



(43) International Publication Date
5 February 2004 (05.02.2004)

PCT

(10) International Publication Number
WO 2004/012484 A3

(51) International Patent Classification⁷: H01R 13/648

(21) International Application Number:
PCT/US2003/023697

(22) International Filing Date: 29 July 2003 (29.07.2003)

(25) Filing Language: English

(26) Publication Language: English

(30) Priority Data:
10/208,070 29 July 2002 (29.07.2002) US

(71) Applicant: FCI AMERICAS TECHNOLOGY, INC.
[US/US]; One East First Street, Reno, NV 89501 (US).

(72) Inventor: FORMAN, Steven, K.; 2302 Scarsborough
Drive, Harrisburg, PA 17112 (US).

(74) Agent: DONOHUE, John, P., Jr.; Woodcock Washburn
LLP, 46th Floor, One Liberty Place, Philadelphia, PA
19103 (US).

(81) Designated States (*national*): AE, AG, AL, AM, AT, AU, AZ, BA, BB, BG, BR, BY, BZ, CA, CH, CN, CO, CR, CU, CZ, DE, DK, DM, DZ, EC, EE, ES, FI, GB, GD, GE, GH, GM, HR, HU, ID, IL, IN, IS, JP, KE, KG, KP, KR, KZ, LC, LK, LR, LS, LT, LU, LV, MA, MD, MG, MK, MN, MW, MX, MZ, NO, NZ, OM, PH, PL, PT, RO, RU, SC, SD, SE, SG, SK, SL, TJ, TM, TN, TR, TT, TZ, UA, UG, UZ, VC, VN, YU, ZA, ZM, ZW.

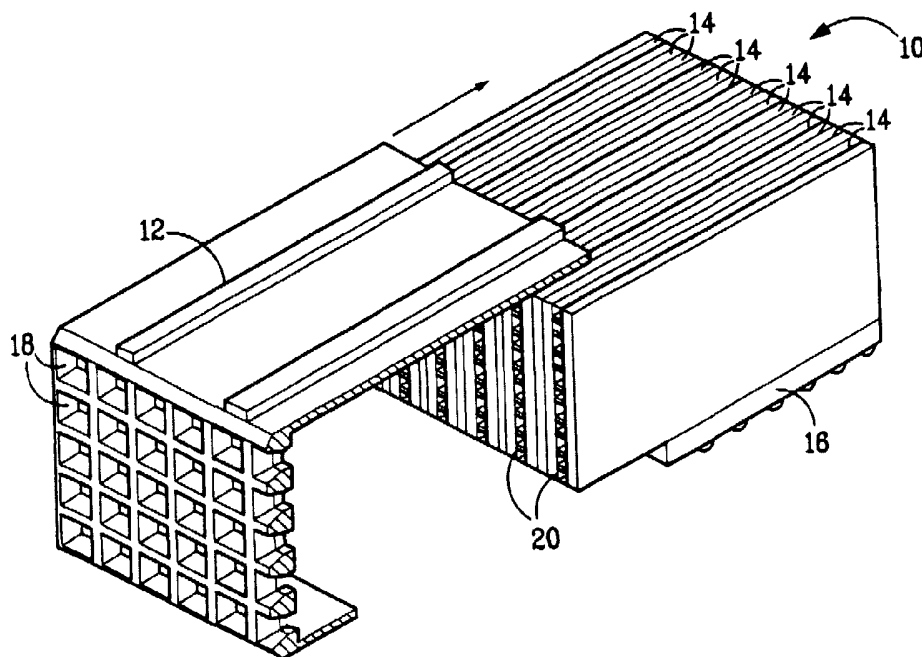
(84) Designated States (*regional*): ARIPO patent (GH, GM, KE, LS, MW, MZ, SD, SL, SZ, TZ, UG, ZM, ZW), Eurasian patent (AM, AZ, BY, KG, KZ, MD, RU, TJ, TM), European patent (AT, BE, BG, CH, CY, CZ, DE, DK, EE, ES, FI, FR, GB, GR, HU, IE, IT, LU, MC, NL, PT, RO, SE, SI, SK, TR), OAPI patent (BF, BJ, CF, CG, CI, CM, GA, GN, GQ, GW, ML, MR, NE, SN, TD, TG).

Published:
— with international search report

(88) Date of publication of the international search report:
10 June 2004

For two-letter codes and other abbreviations, refer to the "Guidance Notes on Codes and Abbreviations" appearing at the beginning of each regular issue of the PCT Gazette.

(54) Title: PRINTED CIRCUIT BOARD ASSEMBLY HAVING A BGA CONNECTION



(57) Abstract: An electrical connector may have a housing which has one or more printed circuit board assemblies. Each printed circuit board assembly has a plurality of signal traces and ground traces. Attached to the printed circuit board assemblies is a base. Disposed within one side of the base are a plurality of slots for receiving the printed circuit board assemblies. The opposing side of the base may have a plurality of pockets for receiving a plurality of fusible elements, which are preferably solder balls. Holes in the base provide a passage from the slots to the pockets. The solder balls are connected to the signal trace ends which extend into the base slots by metallic elements, such as contacts or solder paste.

WO 2004/012484 A3

INTERNATIONAL SEARCH REPORT

International application No.

PCT/US03/23697

A. CLASSIFICATION OF SUBJECT MATTER
 IPC(7) : H01R 13/648
 US CL : 439/608
 According to International Patent Classification (IPC) or to both national classification and IPC

B. FIELDS SEARCHED
 Minimum documentation searched (classification system followed by classification symbols)
 U.S. : 439/608, 108, 701, 79, 83, 70, 71, 610

Documentation searched other than minimum documentation to the extent that such documents are included in the fields searched
 NONE

Electronic data base consulted during the international search (name of data base and, where practicable, search terms used)
 NONE

C. DOCUMENTS CONSIDERED TO BE RELEVANT

Category *	Citation of document, with indication, where appropriate, of the relevant passages	Relevant to claim No.
X	US 6,183,301 B1 (PAAGMAN) 06 February 2001 (06.02.2001), See Figs. 1-8	1-20
A,P	US 6,544,045 B1 (PAAGMAN) 08 April 2003 (08.04.2003), see entire document.	1-20
A,P	US 6,540,558 B1 (PAAGMAN) 01 April 2003 (01.04.2003), see entire document.	1-20
A	US 6,171,149 B1 (VAN ZANTEN) 09 January 2001 (09.01.2001), see entire document.	1-20

Further documents are listed in the continuation of Box C. See patent family annex.

* Special categories of cited documents:	"T" later document published after the international filing date or priority date and not in conflict with the application but cited to understand the principle or theory underlying the invention
"A" document defining the general state of the art which is not considered to be of particular relevance	"X" document of particular relevance; the claimed invention cannot be considered novel or cannot be considered to involve an inventive step when the document is taken alone
"E" earlier application or patent published on or after the international filing date	"Y" document of particular relevance; the claimed invention cannot be considered to involve an inventive step when the document is combined with one or more other such documents, such combination being obvious to a person skilled in the art
"L" document which may throw doubts on priority claim(s) or which is cited to establish the publication date of another citation or other special reason (as specified)	"&" document member of the same patent family
"O" document referring to an oral disclosure, use, exhibition or other means	
"P" document published prior to the international filing date but later than the priority date claimed	

Date of the actual completion of the international search: 28 October 2003 (28.10.2003)
 Date of mailing of the international search report: 02 JAN 2004

Name and mailing address of the ISA/US: Mail Stop PCT, Attn: ISA/US, Commissioner for Patents, P.O. Box 1450, Alexandria, Virginia 22313-1450, Facsimile No. (703)305-3230
 Authorized officer: Hien Phan (Signature: Hien Phan), Telephone No. 703-308-0956