



US00D720372S

(12) **United States Design Patent**
Kanai

(10) **Patent No.:** **US D720,372 S**

(45) **Date of Patent:** **** Dec. 30, 2014**

- (54) **SEWING MACHINE**
- (71) Applicant: **Janome Sewing Machine Company Limited, Tokyo (JP)**
- (72) Inventor: **Takashi Kanai, Tokyo (JP)**
- (73) Assignee: **Janome Sewing Machine Company Limited, Tokyo (JP)**
- (**) Term: **14 Years**

- D578,553 S * 10/2008 Inada D15/69
- D594,481 S * 6/2009 Inada D15/69
- D671,567 S * 11/2012 Muto D15/69
- D687,869 S * 8/2013 Hattori D15/69
- D687,870 S * 8/2013 Hattori D15/69

* cited by examiner

Primary Examiner — Mitchell Siegel

(74) *Attorney, Agent, or Firm* — Hamre, Schumann, Mueller & Larson, P.C.

- (21) Appl. No.: **29/475,929**
- (22) Filed: **Dec. 9, 2013**

(57) **CLAIM**

The ornamental design for a sewing machine, as shown and described.

(30) **Foreign Application Priority Data**

Jun. 10, 2013 (JP) 2013-012969

- (51) **LOC (10) Cl.** **15-06**
- (52) **U.S. Cl.**
USPC **D15/69**
- (58) **Field of Classification Search**
CPC D05B 73/00; D05B 77/00
USPC D15/66-78; 112/258-261,
112/217.1-217.4, 63, 444, 475.01, 78, 154
See application file for complete search history.

DESCRIPTION

FIG. 1 is a perspective view of the front, top and right side of a sewing machine showing my new design;
 FIG. 2 is a perspective view of the front and left side thereof;
 FIG. 3 is a front view thereof;
 FIG. 4 is a rear view thereof;
 FIG. 5 is a left side view thereof;
 FIG. 6 is a right side view thereof;
 FIG. 7 is a top plan view thereof; and,
 FIG. 8 is a bottom view thereof.

The broken lines shown are included for the purpose of illustrating the unclaimed portions of the sewing machine and form no part of the claimed design.

(56) **References Cited**

U.S. PATENT DOCUMENTS

- D300,745 S * 4/1989 Baruffa D15/69
- D300,746 S * 4/1989 Baruffa D15/69

1 Claim, 8 Drawing Sheets

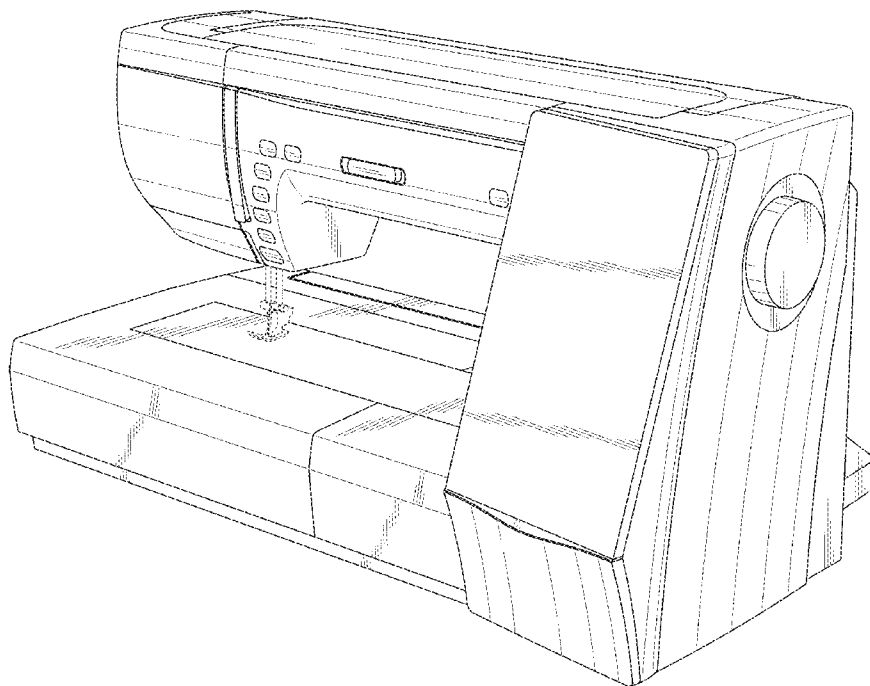


Fig. 1

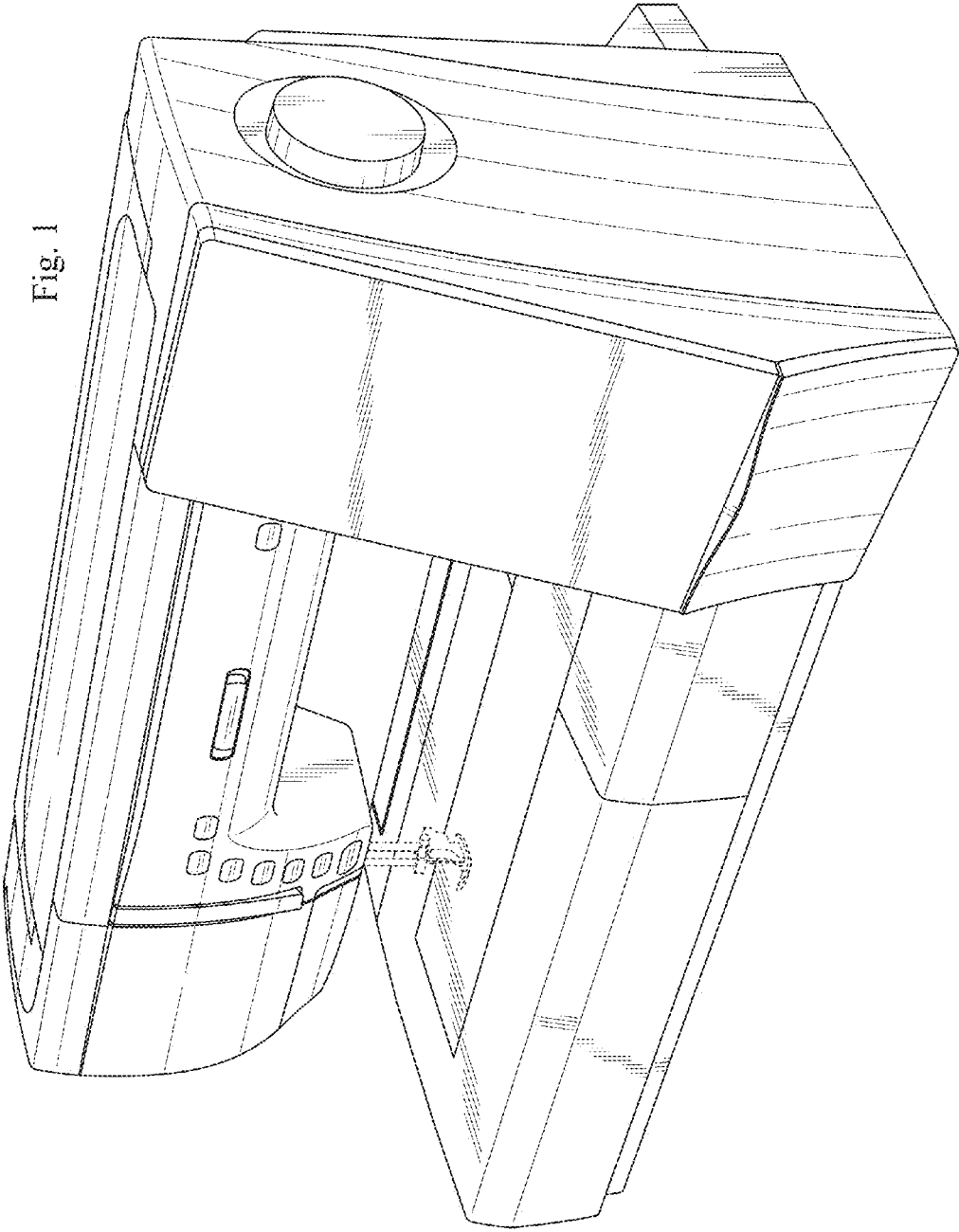


Fig. 2

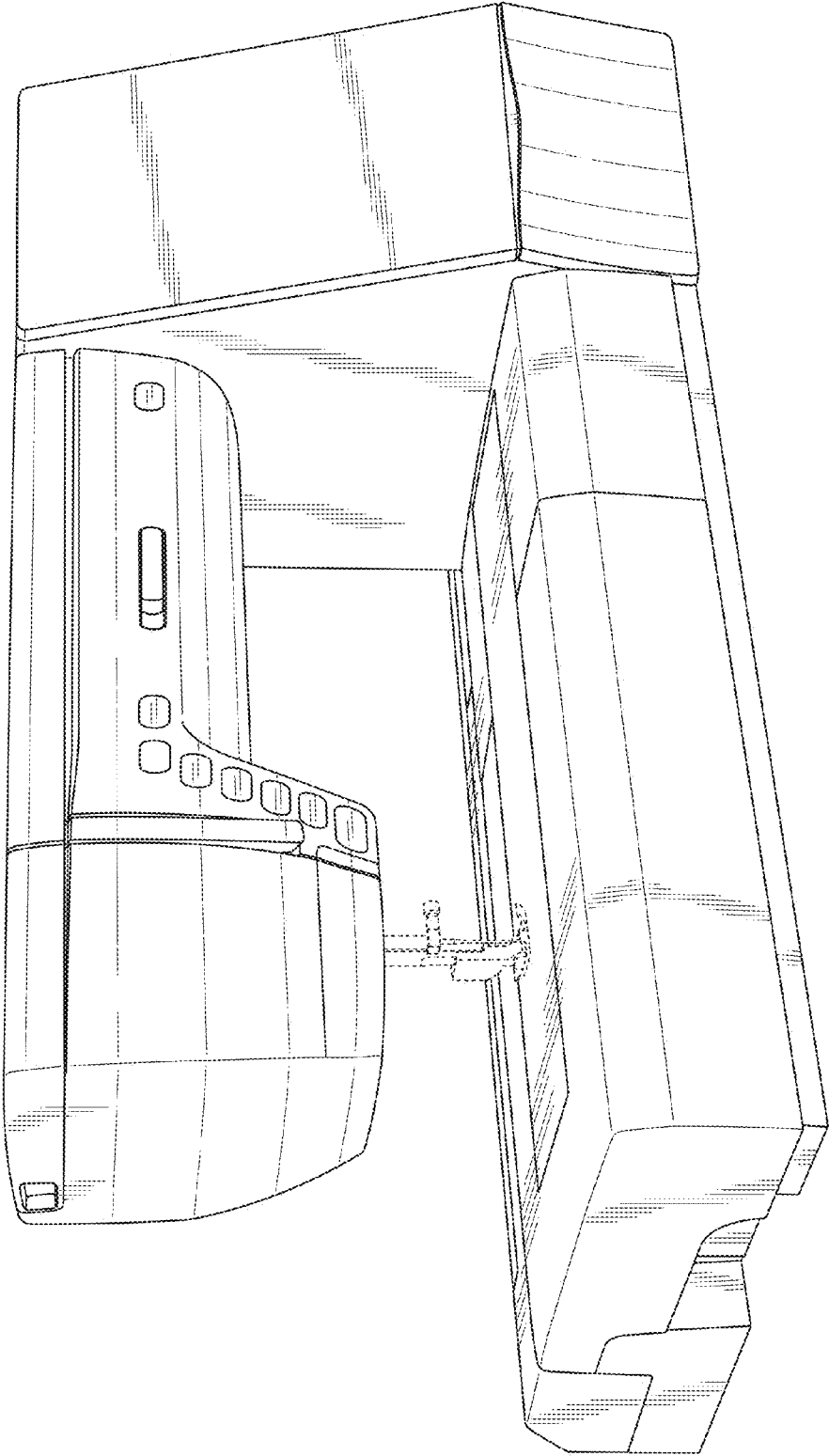


Fig. 3

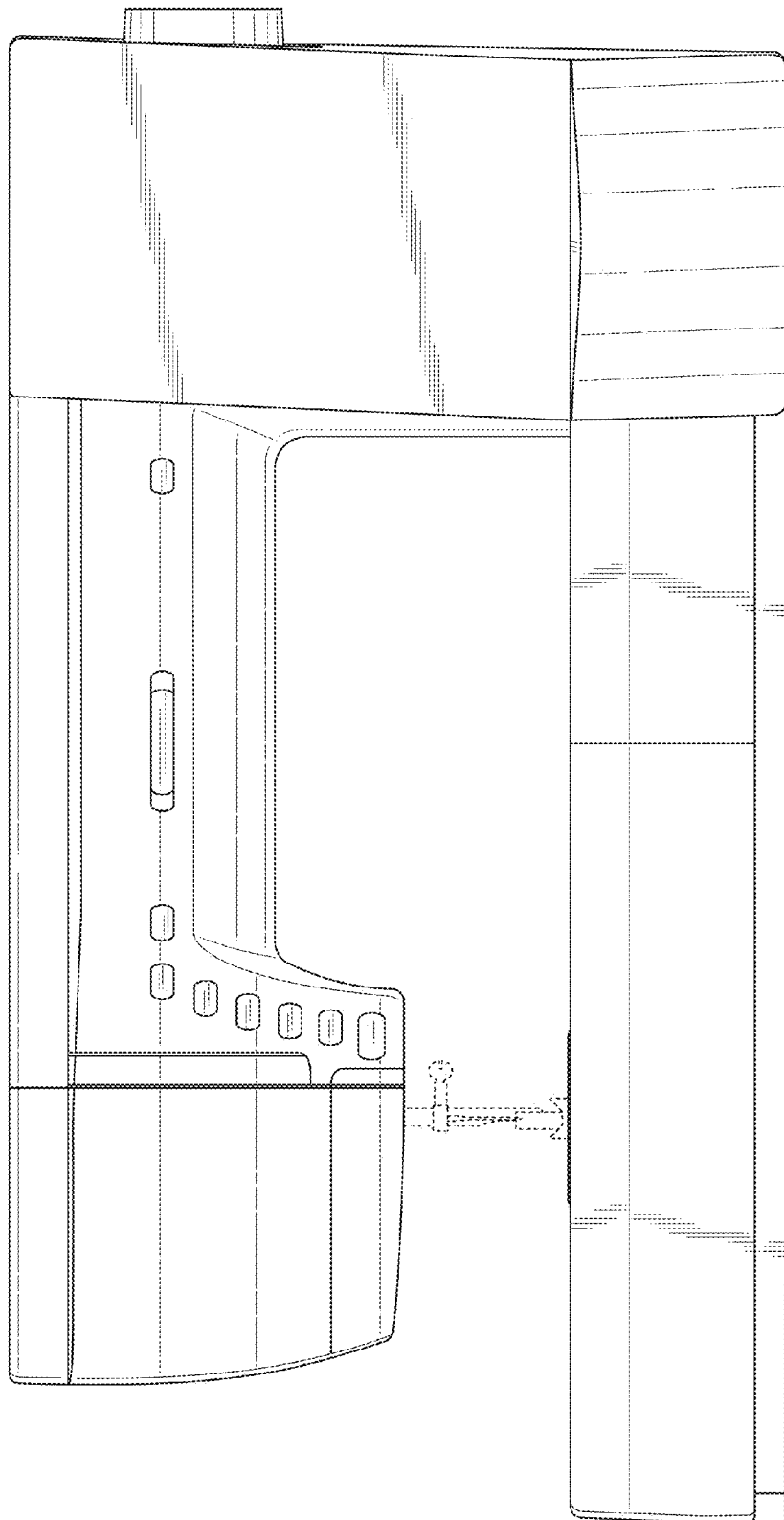


Fig. 4

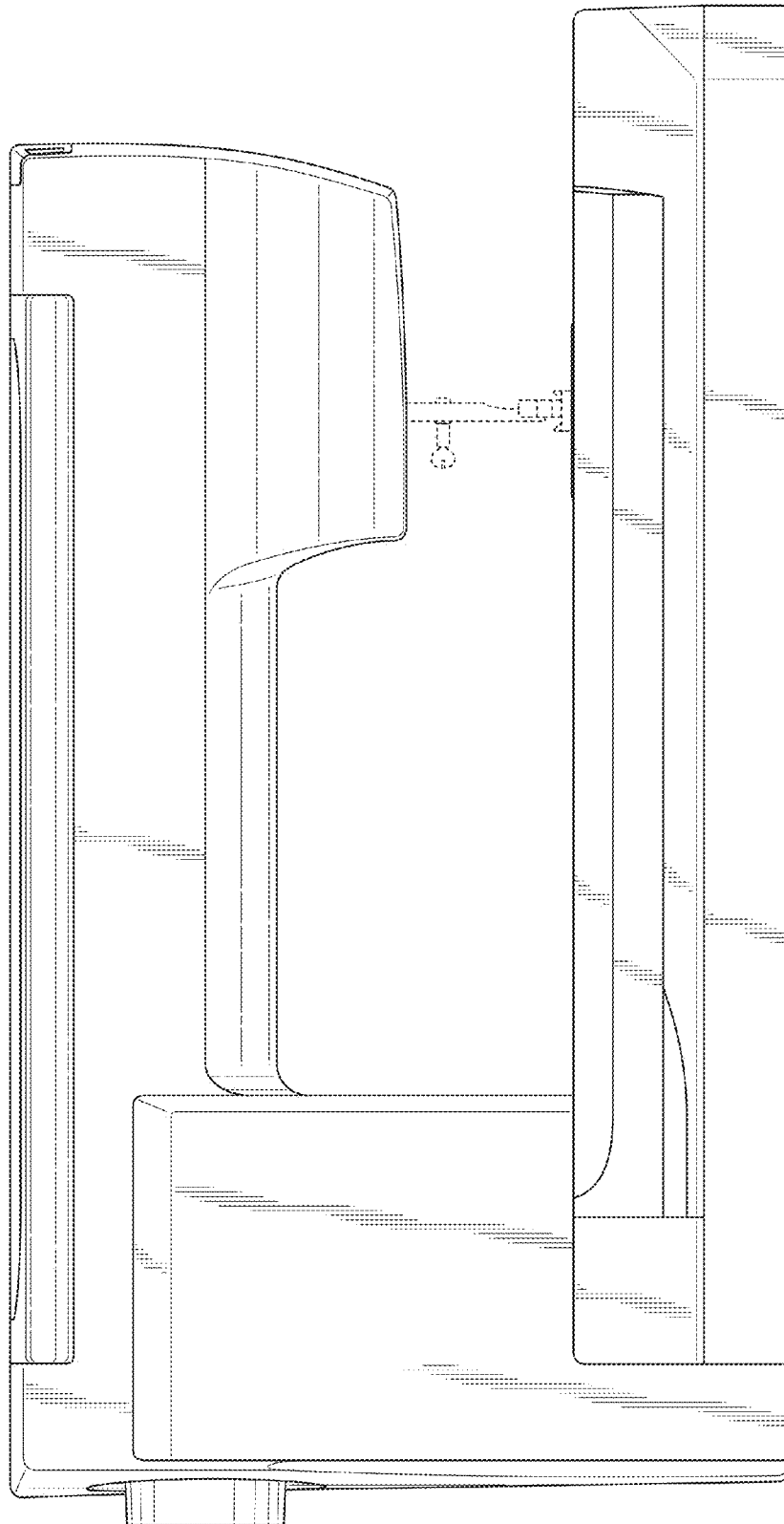


Fig. 5

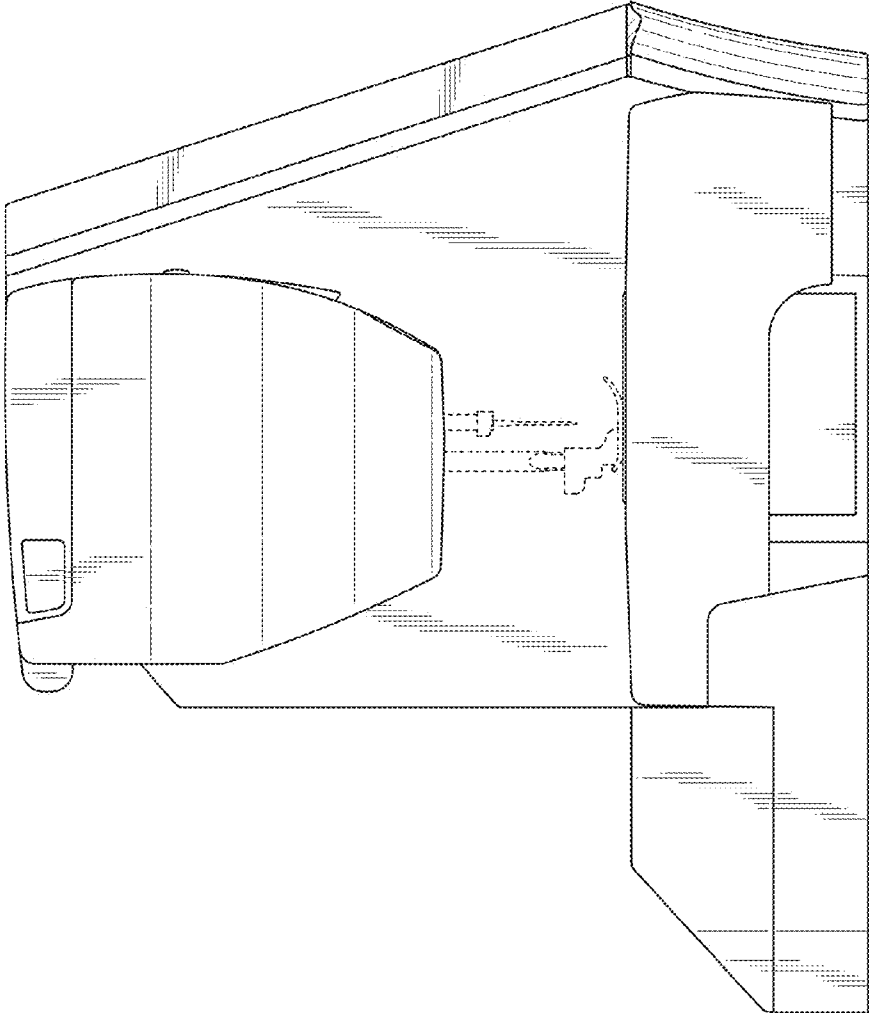


Fig. 6

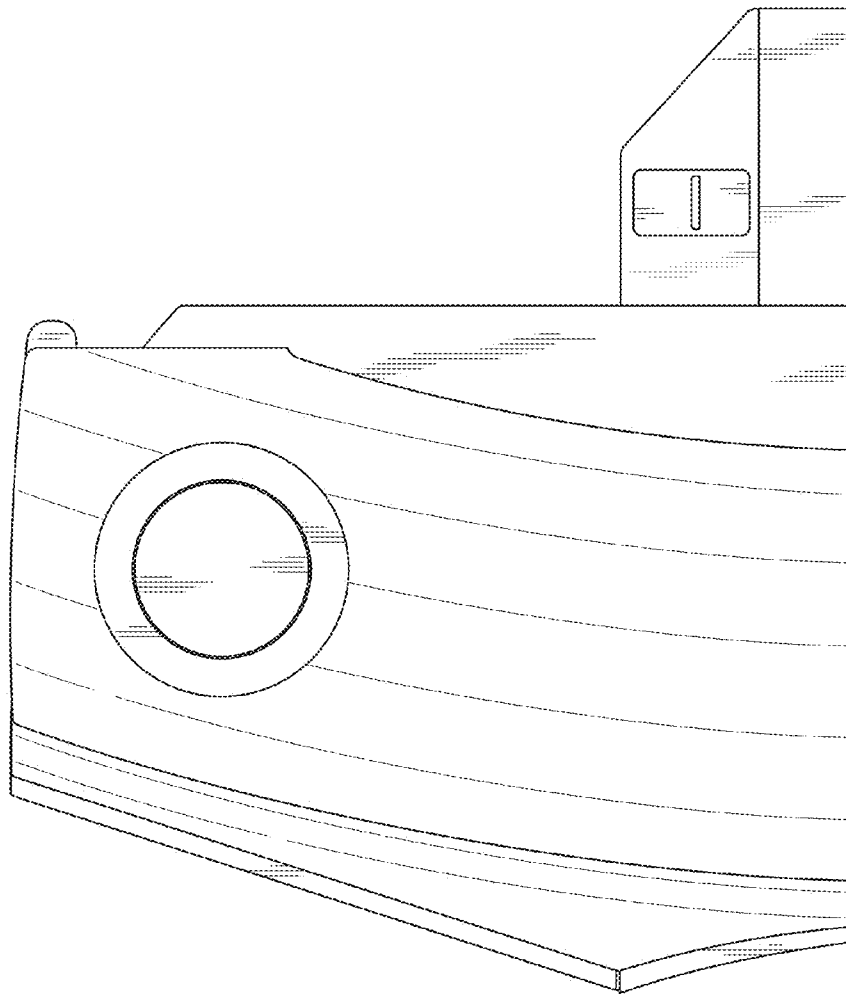


Fig. 7

