



US00D746405S

(12) **United States Design Patent**
Nemeyer et al.

(10) **Patent No.:** **US D746,405 S**

(45) **Date of Patent:** **** Dec. 29, 2015**

(54) **DUAL BEAM AIMING LASER**

(71) Applicant: **Laser Devices, Inc.**, Monterey, CA (US)

(72) Inventors: **Adam Nemeyer**, Gilroy, CA (US);
Alejandro Chavez, Salinas, CA (US)

(73) Assignee: **Laser Devices, Inc.**, Monterey, CA (US)

(**) Term: **14 Years**

(21) Appl. No.: **29/492,230**

(22) Filed: **May 29, 2014**

(51) **LOC (10) Cl.** **22-01**

(52) **U.S. Cl.**
USPC **D22/109**

(58) **Field of Classification Search**

USPC D22/108-109; 42/111-128; 89/1.61,
89/200-204; 356/247-256

CPC F41G 3/2616; F41G 3/2644; F41G 3/2655

See application file for complete search history.

(56) **References Cited**

U.S. PATENT DOCUMENTS

D586,874 S *	2/2009	Moody et al.	D22/109
D641,826 S *	7/2011	Larsson et al.	D22/109
D682,977 S *	5/2013	Thummel et al.	D22/109
D696,377 S *	12/2013	Thummel	D22/109
D729,339 S *	5/2015	Chavez et al.	D22/109
D732,134 S *	6/2015	Wells	D22/109

* cited by examiner

Primary Examiner — Michael A Pratt

(74) Attorney, Agent, or Firm — Innovation Counsel LLP

(57) **CLAIM**

The ornamental design for a dual beam aiming laser, as shown and described herein.

DESCRIPTION

FIG. 1 illustrates a first top perspective view of a dual beam aiming laser of our new design; any portion shown in phantom is not part of the design sought to be patented and is provided for environmental purposes only.

FIG. 2 illustrates a second top perspective view of a dual beam aiming laser of our new design; any portion shown in phantom is not part of the design sought to be patented and is provided for environmental purposes only.

FIG. 3 illustrates a top view of a dual beam aiming laser of our new design; any portion shown in phantom is not part of the design sought to be patented and is provided for environmental purposes only.

FIG. 4 illustrates a bottom view of a dual beam aiming laser of our new design; any portion shown in phantom is not part of the design sought to be patented and is provided for environmental purposes only.

FIG. 5 illustrates a front view of a dual beam aiming laser of our new design; any portion shown in phantom is not part of the design sought to be patented and is provided for environmental purposes only.

FIG. 6 illustrates a back view of a dual beam aiming laser of our new design; any portion shown in phantom is not part of the design sought to be patented and is provided for environmental purposes only.

FIG. 7 illustrates a first side view of a dual beam aiming laser of our new design; any portion shown in phantom is not part of the design sought to be patented and is provided for environmental purposes only; and,

FIG. 8 illustrates a second side view of a dual beam aiming laser of our new design; any portion shown in phantom is not part of the design sought to be patented and is provided for environmental purposes only.

1 Claim, 8 Drawing Sheets

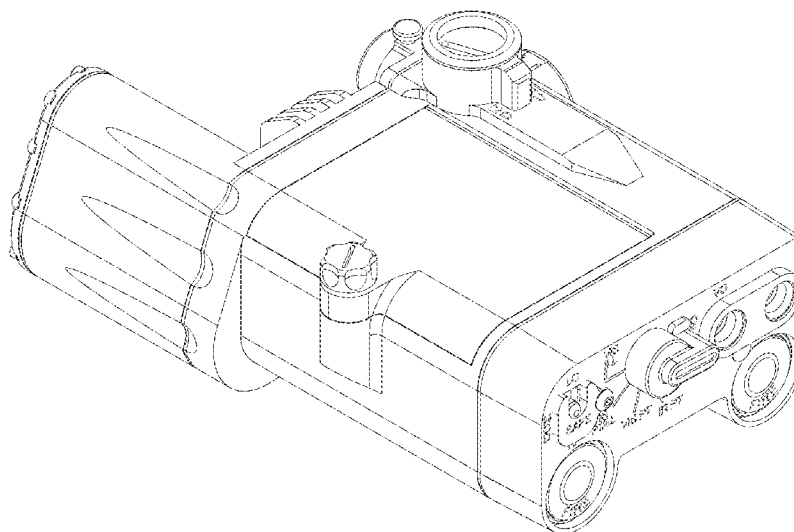
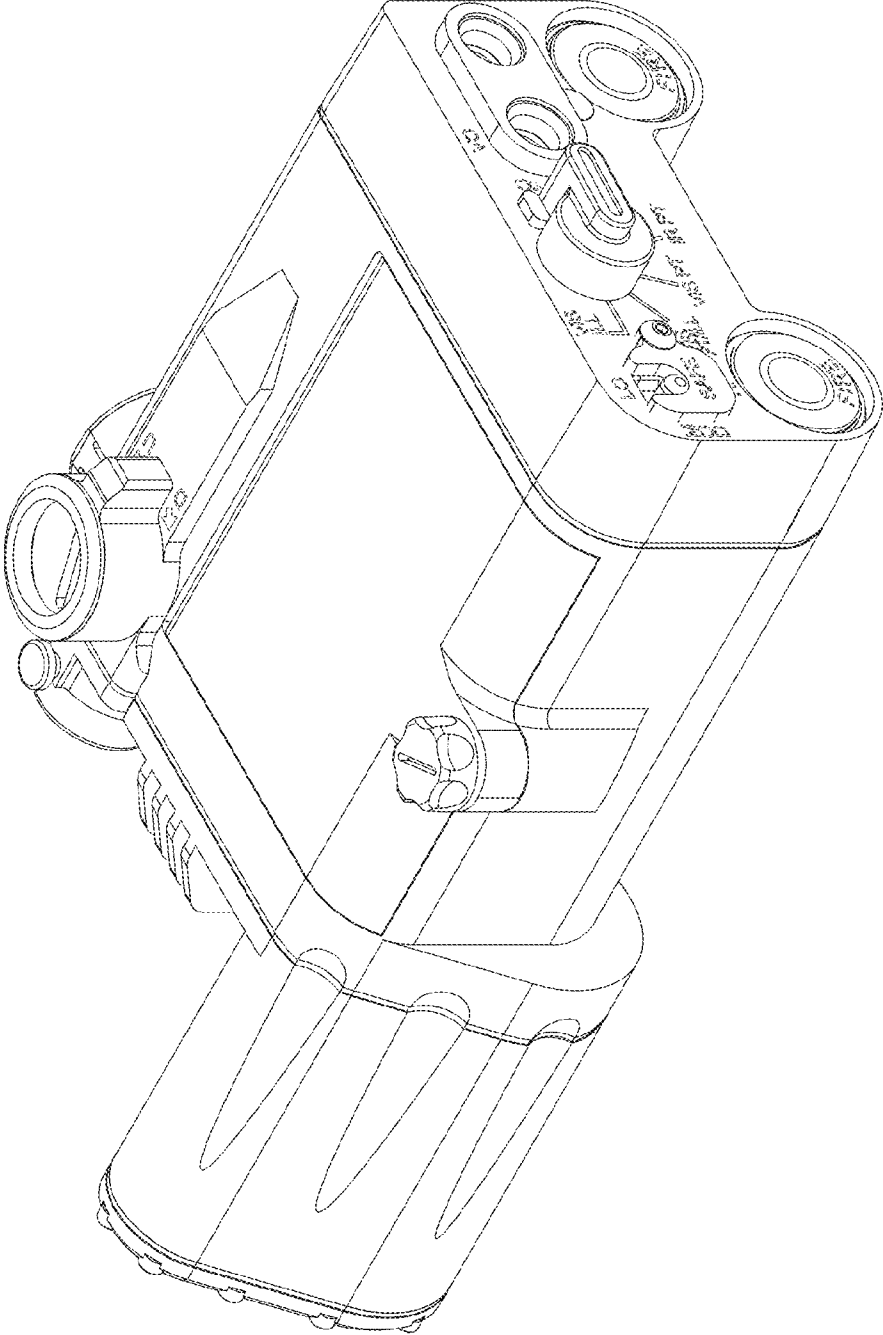


FIG. 1



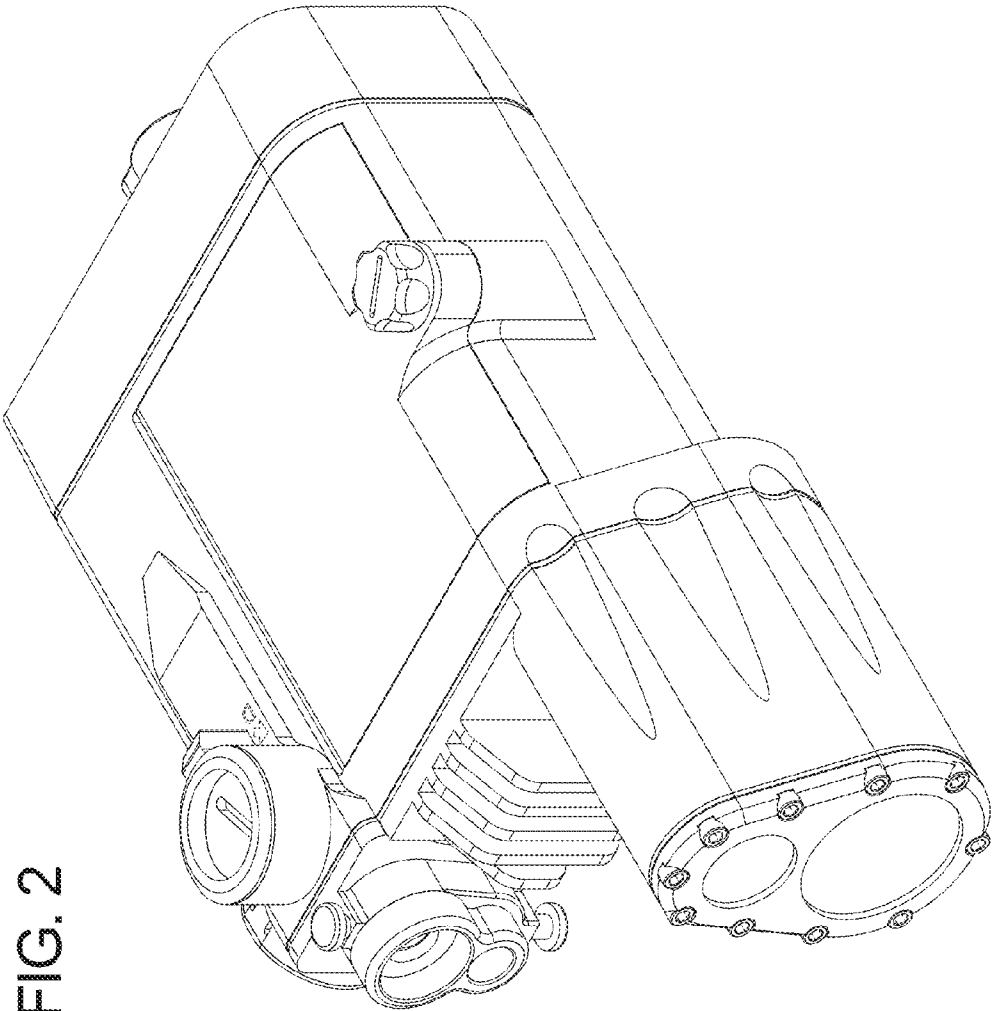


FIG. 2

FIG. 3

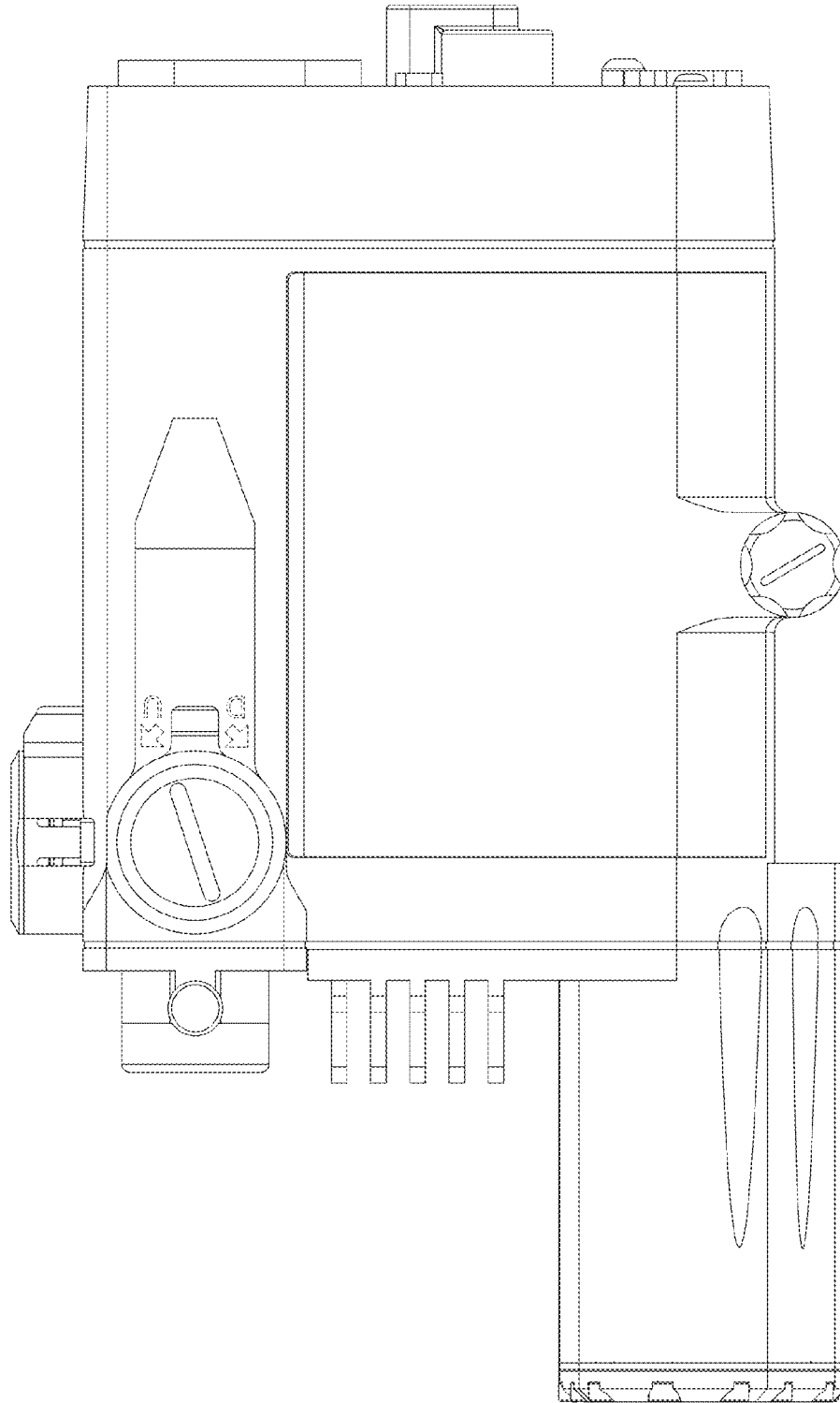


FIG. 4

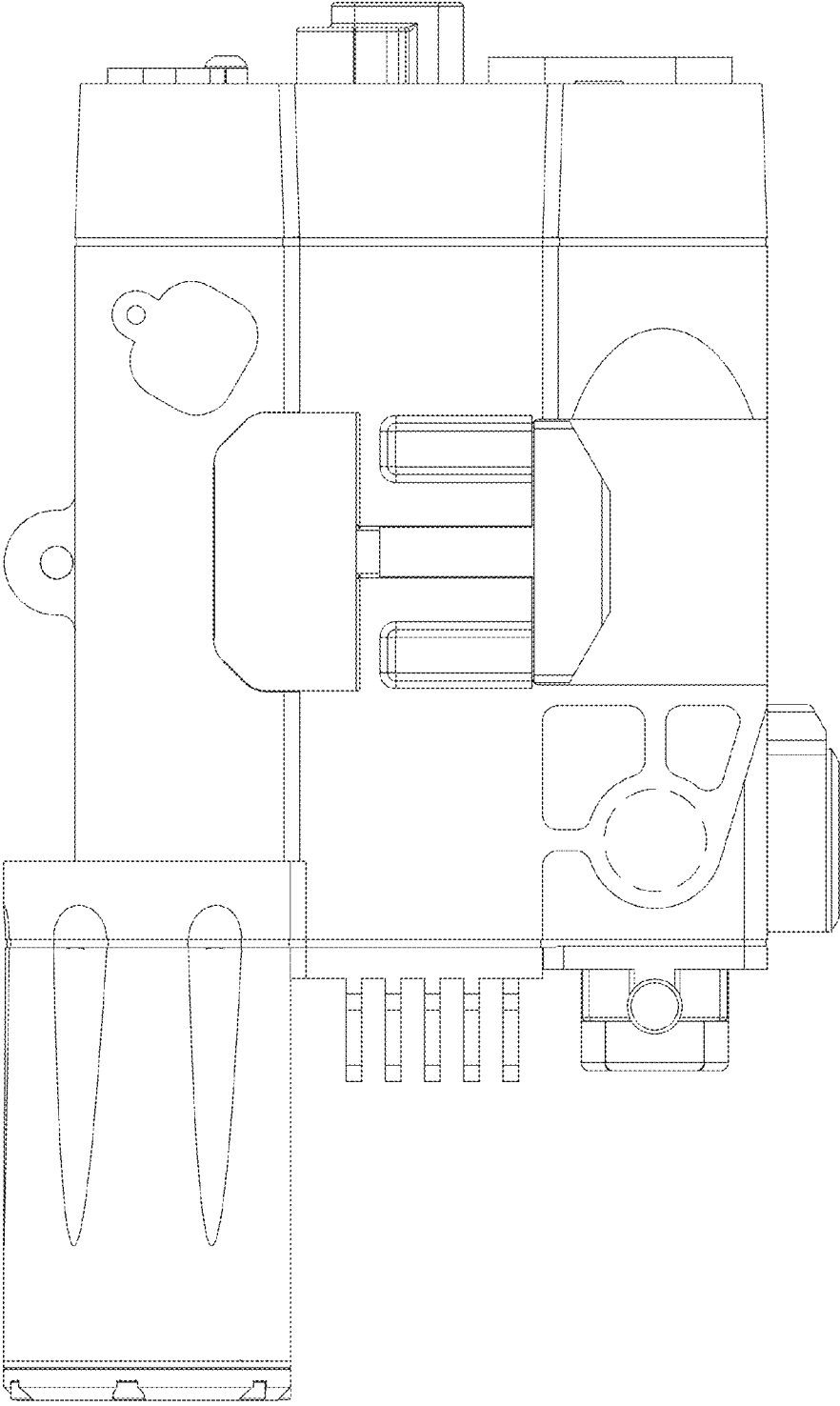


FIG. 5

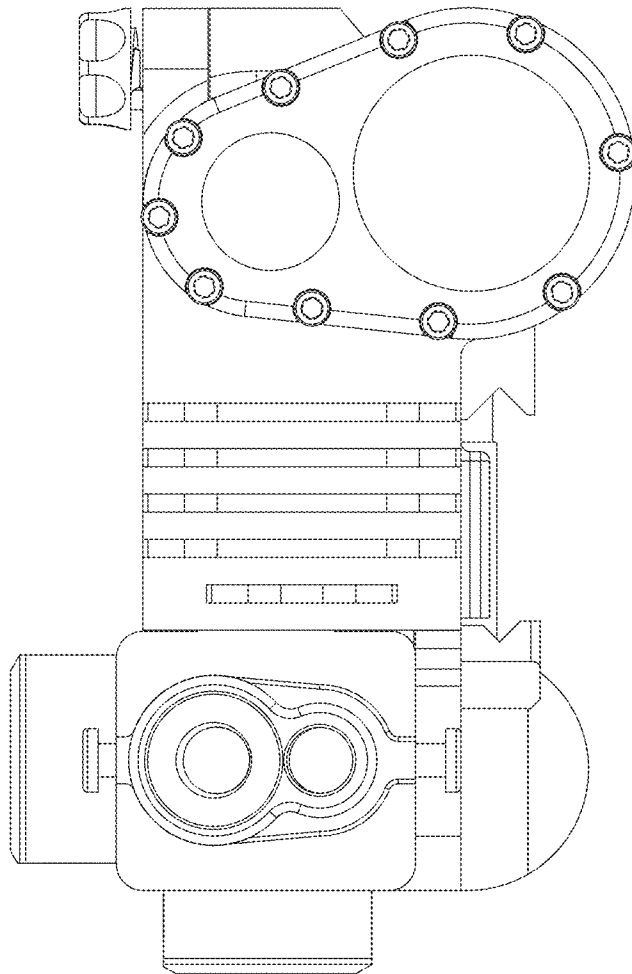


FIG. 6

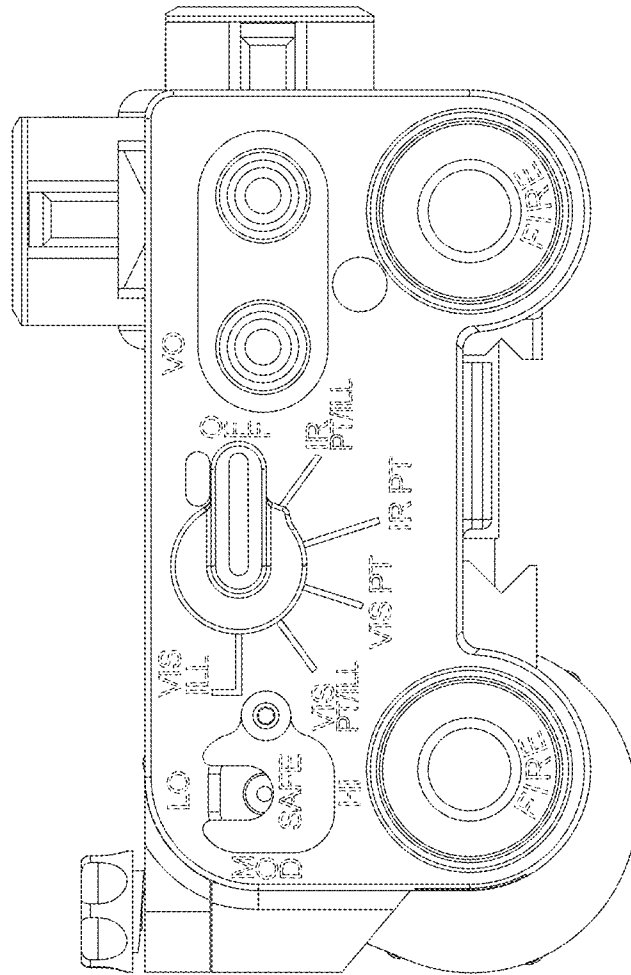


FIG. 7

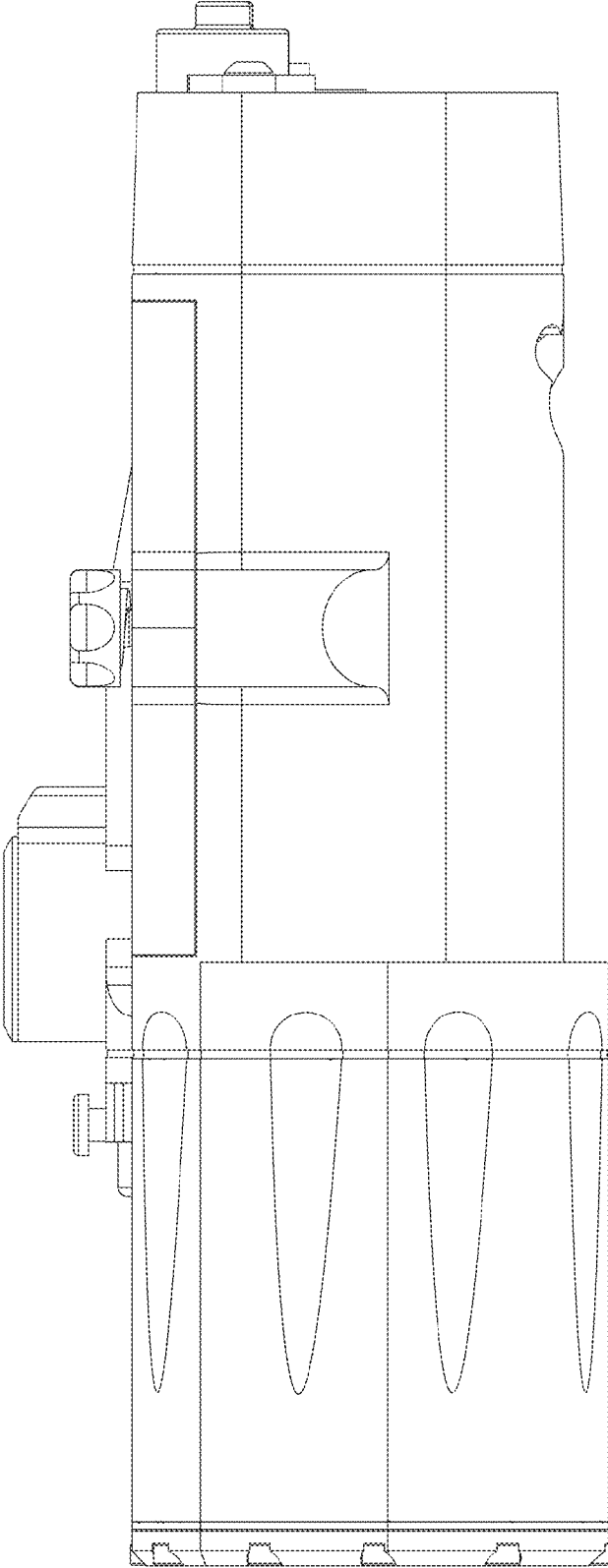


FIG. 8

