



US00D487243S

(12) **United States Design Patent**  
**McCoy et al.**

(10) **Patent No.:** **US D487,243 S**

(45) **Date of Patent:** **\*\* Mar. 2, 2004**

(54) **MODULAR SUPPORT BRACKET**  
(75) Inventors: **Richard W. McCoy**, Granger, IN (US);  
**Jason R. Moldthan**, Osceola, IN (US)  
(73) Assignee: **Cequent Towing Products, Inc.**,  
Plymouth, MI (US)

6,357,778 B1 \* 3/2002 Ross ..... 280/456.1  
D458,576 S 6/2002 McCoy et al.  
6,443,474 B1 \* 9/2002 Kay ..... 280/457  
6,536,793 B2 \* 3/2003 Sargent ..... 280/455.1  
6,540,277 B2 \* 4/2003 McCoy et al. .... 293/117  
6,601,868 B1 \* 8/2003 McCoy et al. .... 280/495

(\*\*) Term: **14 Years**

\* cited by examiner

(21) Appl. No.: **29/170,281**

*Primary Examiner*—Doris V. Coles

*Assistant Examiner*—Elizabeth Albert

(22) Filed: **Nov. 4, 2002**

(74) *Attorney, Agent, or Firm*—King & Schickli, PLLC

(51) **LOC (7) Cl.** ..... **12-06**

(57) **CLAIM**

The ornamental design for a modular support bracket, as shown and described.

(52) **U.S. Cl.** ..... **D12/223**

**DESCRIPTION**

(58) **Field of Search** ..... D8/349, 354, 366,  
D8/373, 380; D12/162, 223; 248/300, 301,  
304, 317, 322, 339; 280/416.1, 416.2, 417.1,  
455.1, 456.1, 457, 460.1, 477, 478.1, 479.1,  
479.2, 479.3, 480, 491.5, 495, 501, 504,  
508

FIG. 1 is a perspective view showing the exterior of the modular support bracket of the present invention; FIG. 2 is a perspective view showing the interior of the modular support bracket of the present invention; FIG. 3 is a top plan view thereof; FIG. 4 is a right side elevational view thereof; FIG. 5 is a bottom plan view thereof; FIG. 6 is a rear elevational view thereof; FIG. 7 is a front elevational view thereof; and, FIG. 8 is a left side elevational view thereof.

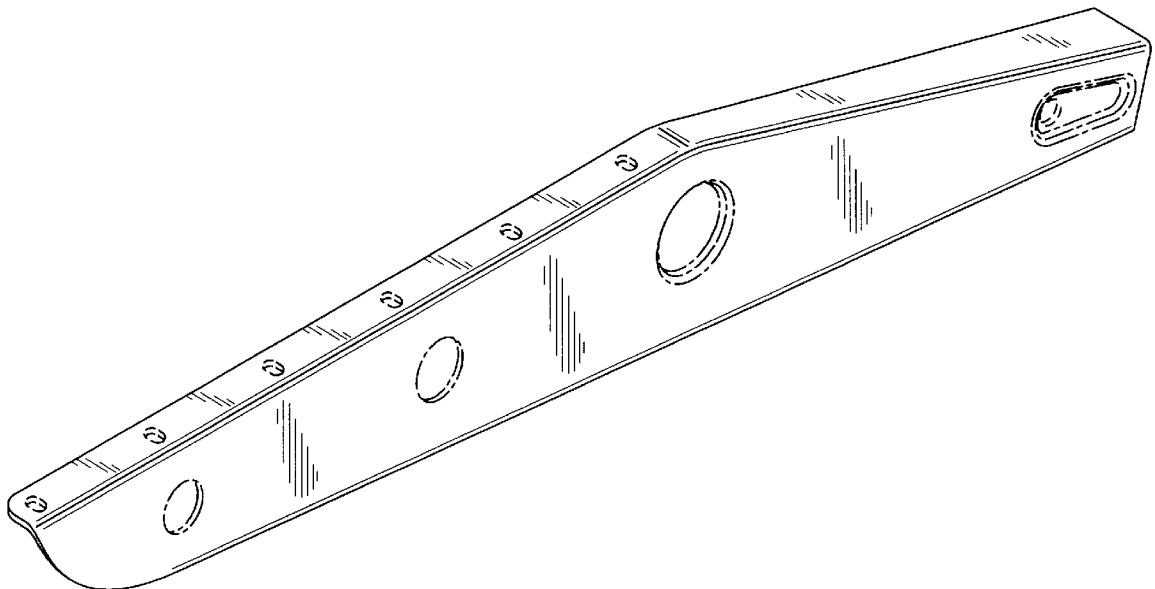
(56) **References Cited**

The broken lines showing environment in the drawings are for illustrative purposes only and form no part of the claimed design.

**U.S. PATENT DOCUMENTS**

4,950,010 A \* 8/1990 Denny ..... 293/117  
D376,751 S 12/1996 Hanson et al.  
5,630,606 A \* 5/1997 Ryan ..... 280/479.3  
5,915,714 A \* 6/1999 Bell et al. .... 280/456.1  
D429,208 S 8/2000 McCoy et al.  
6,173,984 B1 \* 1/2001 Kay ..... 280/495  
D440,147 S \* 4/2001 Rimback ..... D8/363  
6,250,664 B1 \* 6/2001 Tetrick ..... 280/495

**1 Claim, 4 Drawing Sheets**



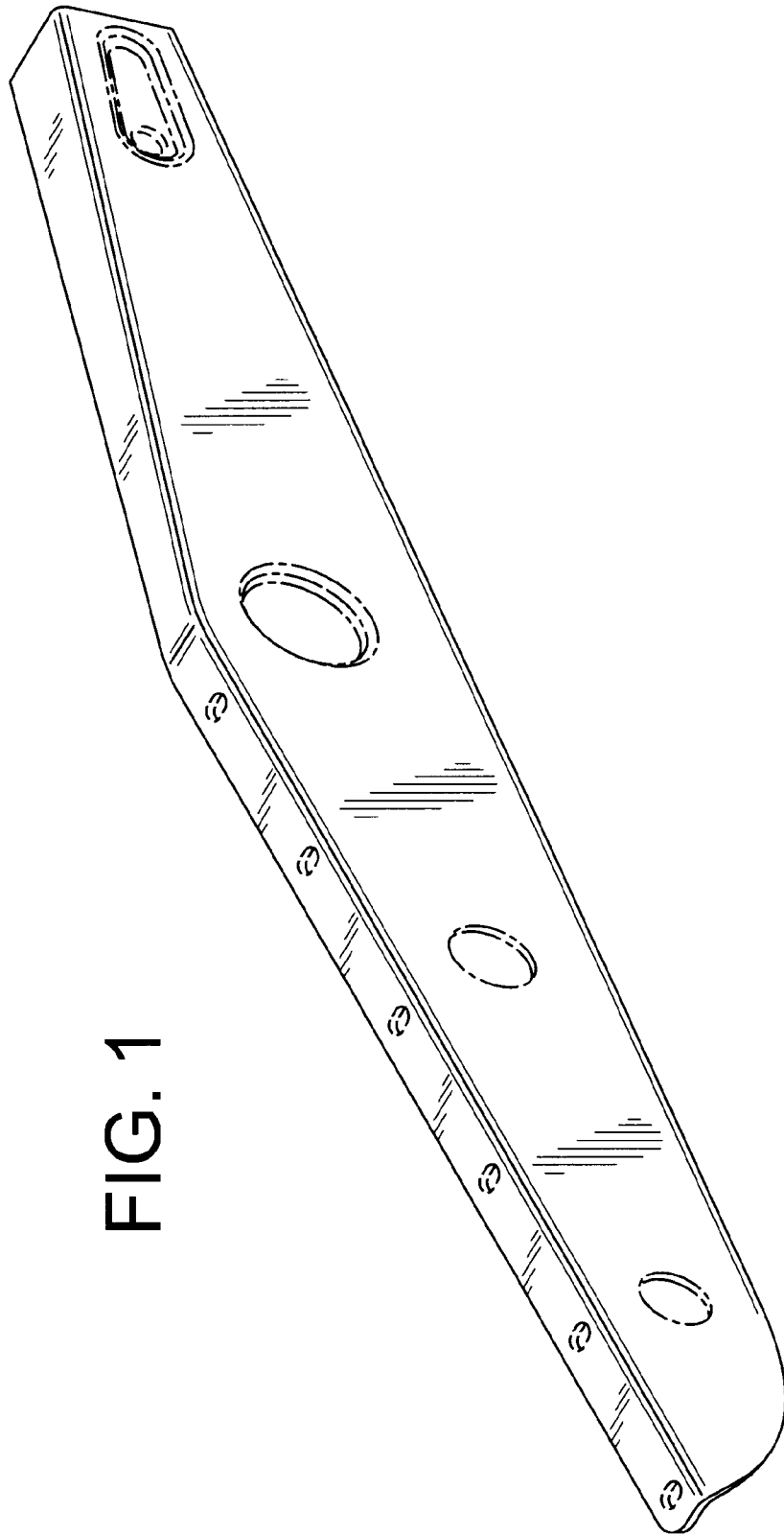


FIG. 1

FIG. 2

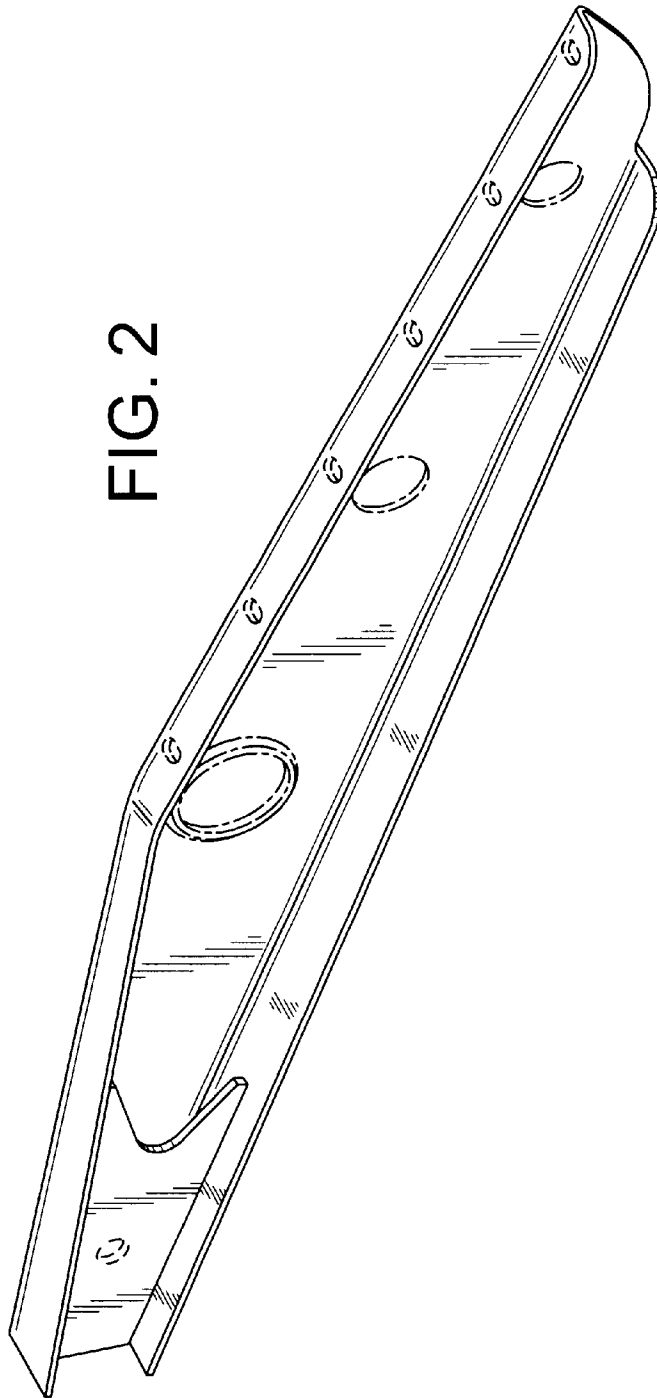


FIG. 3

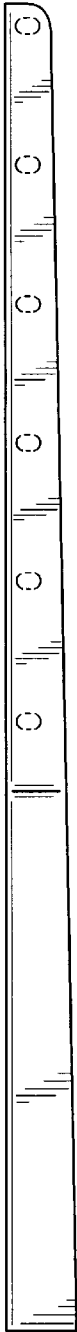


FIG. 6

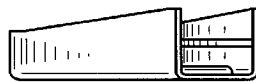


FIG. 4

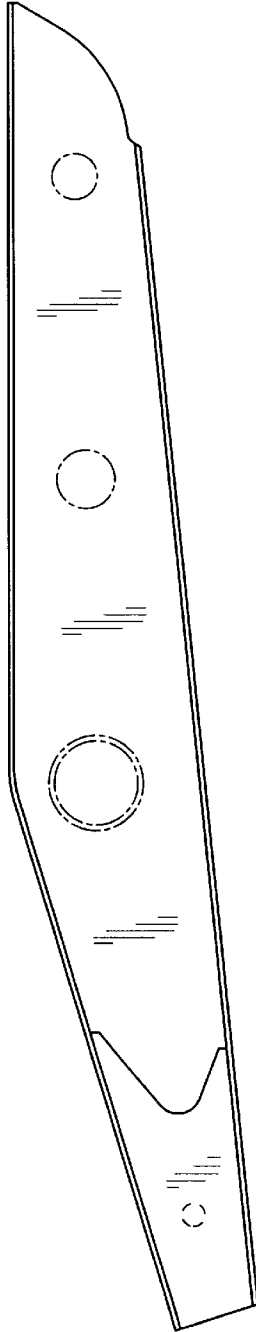


FIG. 7



FIG. 5



FIG. 8

