



(51) International Patent Classification:
F16H 37/08 (2006.01)

(21) International Application Number:
PCT/US2015/066944

(22) International Filing Date:
19 December 2015 (19.12.2015)

(25) Filing Language: English

(26) Publication Language: English

(30) Priority Data:
62/094,645 19 December 2014 (19.12.2014) US
14/975,109 18 December 2015 (18.12.2015) US

(72) Inventor; and

(71) Applicant : CHUNG, Caleb [US/US]; 3460 N. Plantation River Drive, Boise, ID 83703 (US).

(74) Agents: MCKINNEY, David, R. et al.; Parsons Behle & Latimer, 800 W. Main Street, Suite 1300, Boise, ID 83702 (US).

(81) Designated States (unless otherwise indicated, for every kind of national protection available): AE, AG, AL, AM, AO, AT, AU, AZ, BA, BB, BG, BH, BN, BR, BW, BY,

BZ, CA, CH, CL, CN, CO, CR, CU, CZ, DE, DK, DM, DO, DZ, EC, EE, EG, ES, FI, GB, GD, GE, GH, GM, GT, HN, HR, HU, ID, IL, IN, IR, IS, JP, KE, KG, KN, KP, KR, KZ, LA, LC, LK, LR, LS, LU, LY, MA, MD, ME, MG, MK, MN, MW, MX, MY, MZ, NA, NG, NI, NO, NZ, OM, PA, PE, PG, PH, PL, PT, QA, RO, RS, RU, RW, SA, SC, SD, SE, SG, SK, SL, SM, ST, SV, SY, TH, TJ, TM, TN, TR, TT, TZ, UA, UG, US, UZ, VC, VN, ZA, ZM, ZW.

(84) Designated States (unless otherwise indicated, for every kind of regional protection available): ARIPO (BW, GH, GM, KE, LR, LS, MW, MZ, NA, RW, SD, SL, ST, SZ, TZ, UG, ZM, ZW), Eurasian (AM, AZ, BY, KG, KZ, RU, TJ, TM), European (AL, AT, BE, BG, CH, CY, CZ, DE, DK, EE, ES, FI, FR, GB, GR, HR, HU, IE, IS, IT, LT, LU, LV, MC, MK, MT, NL, NO, PL, PT, RO, RS, SE, SI, SK, SM, TR), OAPI (BF, BJ, CF, CG, CI, CM, GA, GN, GQ, GW, KM, ML, MR, NE, SN, TD, TG).

Published:

— with international search report (Art. 21(3))

(88) Date of publication of the international search report:
18 August 2016

WO 2016/100952 A3

(54) Title: CONTINUOUSLY VARIABLE TRANSMISSION

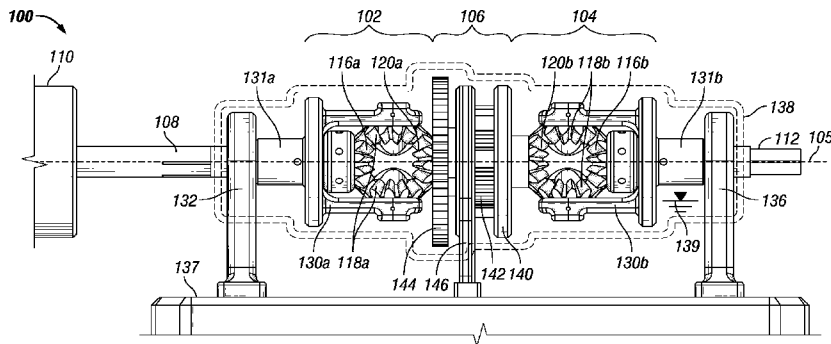


FIG. 1

(57) Abstract: A continuously variable transmission includes a first asymmetrical differential, having a transmission input shaft and a first output shaft, aligned along a transmission axis, a second asymmetrical differential, having a transmission output shaft and a first input shaft, aligned along the transmission axis, and a reduction gear unit, coupled between the first output shaft of the first asymmetrical differential and the first input shaft of the second asymmetrical differential. Rotation of the input shaft at a first input speed and torque is converted into rotation of the transmission output shaft at a second output speed and torque that varies independently of the first input speed and torque in response to a rotational resistance on the transmission output shaft.

INTERNATIONAL SEARCH REPORT

International application No.

PCT/US2015/066944

A. CLASSIFICATION OF SUBJECT MATTER

IPC(8) - F16H 37/08 (2016.01)

CPC - F16H 37/084 (2016.02)

According to International Patent Classification (IPC) or to both national classification and IPC

B. FIELDS SEARCHED

Minimum documentation searched (classification system followed by classification symbols)

IPC(8) - F16H 3/72, 37/06, 37/08, 48/00 (2016.01)

CPC - B60K 17/16; F16H 37/084, 2037/102, 48/08 (2016.02)

Documentation searched other than minimum documentation to the extent that such documents are included in the fields searched

USPC - 475/221, 257, 302 (Keyword delimited)

Electronic data base consulted during the international search (name of data base and, where practicable, search terms used)

PatBase, Google Patents, Google, YouTube

Search terms used: transmission, continuous, variable, motor, gears, torque, load, shaft, asymmetric differential, reduce, ring gear, sun gear, planet gears.

C. DOCUMENTS CONSIDERED TO BE RELEVANT

Category*	Citation of document, with indication, where appropriate, of the relevant passages	Relevant to claim No.
A	US 1,887,705 A (WORRALL) 15 November 1932 (15.11.1932) entire document	1-20
A	US 2010/0275712 A1 (ECONOMOU) 04 November 2010 (04.11.2010) entire document	1-20
A	US 3,241,400 A (MARTIN) 22 March 1966 (22.03.1966) entire document	1-20
A	US 2007/0155576 A1 (SHAPIRO) 05 July 2007 (05.07.2007) entire document	1-20

 Further documents are listed in the continuation of Box C. See patent family annex.

* Special categories of cited documents:

"A" document defining the general state of the art which is not considered to be of particular relevance

"E" earlier application or patent but published on or after the international filing date

"L" document which may throw doubts on priority claim(s) or which is cited to establish the publication date of another citation or other special reason (as specified)

"O" document referring to an oral disclosure, use, exhibition or other means

"P" document published prior to the international filing date but later than the priority date claimed

"T" later document published after the international filing date or priority date and not in conflict with the application but cited to understand the principle or theory underlying the invention

"X" document of particular relevance; the claimed invention cannot be considered novel or cannot be considered to involve an inventive step when the document is taken alone

"Y" document of particular relevance; the claimed invention cannot be considered to involve an inventive step when the document is combined with one or more other such documents, such combination being obvious to a person skilled in the art

"&" document member of the same patent family

Date of the actual completion of the international search

10 February 2016

Date of mailing of the international search report

23 FEB 2016

Name and mailing address of the ISA/

Mail Stop PCT, Attn: ISA/US, Commissioner for Patents

P.O. Box 1450, Alexandria, VA 22313-1450

Facsimile No. 571-273-8300

Authorized officer

Blaine R. Copenheaver

PCT Helpdesk: 571-272-4300

PCT OSP: 571-272-7774