



US00D809779S

(12) **United States Design Patent**
Muriithi

(10) **Patent No.:** **US D809,779 S**

(45) **Date of Patent:** **** Feb. 13, 2018**

(54) **COMBINED ORGANIZER AND INSERTS FOR PILL CONTAINERS**

D728,932 S * 5/2015 Horovitz D3/276
D777,426 S * 1/2017 Dahl D3/262
D777,428 S * 1/2017 Hsu D3/273

(Continued)

(71) Applicant: **Newton Muriithi**, Salem, MA (US)

Primary Examiner — Jennifer Rivard

(72) Inventor: **Newton Muriithi**, Salem, MA (US)

Assistant Examiner — April Rivas

(**) Term: **15 Years**

(74) *Attorney, Agent, or Firm* — Daniel N. Smith

(21) Appl. No.: **29/541,083**

(57) **CLAIM**

(22) Filed: **Sep. 30, 2015**

The ornamental design for a combined organizer and inserts for pill containers, as shown and described.

(51) **LOC (11) Cl.** **03-01**

DESCRIPTION

(52) **U.S. Cl.**

USPC **D3/203.3; D3/284**

(58) **Field of Classification Search**

USPC D3/273, 276, 279, 281, 282, 283, 284,
D3/291, 294, 295, 296, 297, 905, 900,
D3/203.1, 203.2, 203.3, 203.6

CPC B25H 3/00; B25H 3/003; B25H 3/02

See application file for complete search history.

(56) **References Cited**

U.S. PATENT DOCUMENTS

D246,139	S *	10/1977	Landell	D3/281
D249,590	S *	9/1978	Berkman	D3/284
5,011,013	A *	4/1991	Meisner	B25H 3/023 206/373
D333,568	S *	3/1993	Dickinson	D3/286
D379,266	S *	5/1997	Dickinson	D3/281
D404,916	S *	2/1999	Dickinson	D3/281
D417,956	S *	12/1999	Story	D3/276
D434,225	S *	11/2000	Story	D3/276
6,343,708	B1 *	2/2002	Riso	B25H 3/02 206/373
D459,073	S *	6/2002	Lee	D3/276
D525,789	S *	8/2006	Hosking	D3/281
D535,469	S *	1/2007	Nassos	D3/203.6
D577,928	S *	10/2008	Wong	D3/295
D619,801	S *	7/2010	Ma	D3/203.6
D694,522	S *	12/2013	Horovitz	D3/281

FIG. 1 illustrates a top perspective view of a combined organizer and inserts for pill containers showing my new design;

FIG. 2 illustrates a front view thereof;

FIG. 3 illustrates a top view thereof;

FIG. 4 illustrates a left side view thereof;

FIG. 5 illustrates a right side view thereof;

FIG. 6 illustrates an exploded view thereof;

FIG. 7 illustrates a top view of a first insert for the combined organizer and inserts for pill containers;

FIG. 8 illustrates a front view thereof;

FIG. 9 illustrates a bottom view thereof;

FIG. 10 illustrates a side view thereof;

FIG. 11 illustrates a perspective view of one of the two lower inserts, the opposite insert being a mirror image thereof;

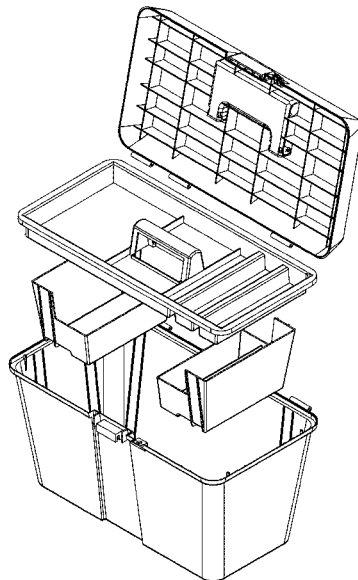
FIG. 12 illustrates a left side view thereof;

FIG. 13 illustrates a top view thereof; and,

FIG. 14 illustrates a right side view thereof.

The individual compartments shown in FIGS. 7-14 are the same compartments shown in the exploded view of FIG. 6 and are shown individually for convenience of illustration. The broken lines illustrate portions of the combined organizer and inserts for pill containers and form no part of the claimed design.

1 Claim, 14 Drawing Sheets



(56)

References Cited

U.S. PATENT DOCUMENTS

D777,430 S *	1/2017	Thomas	D3/297
2004/0134818 A1 *	7/2004	Cunningham	B25H 3/023
			206/373
2011/0181008 A1 *	7/2011	Bensman	B25H 3/026
			280/47.26
2012/0152944 A1 *	6/2012	Vilkomirski	B25H 3/022
			220/4.28

* cited by examiner

FIG. 1

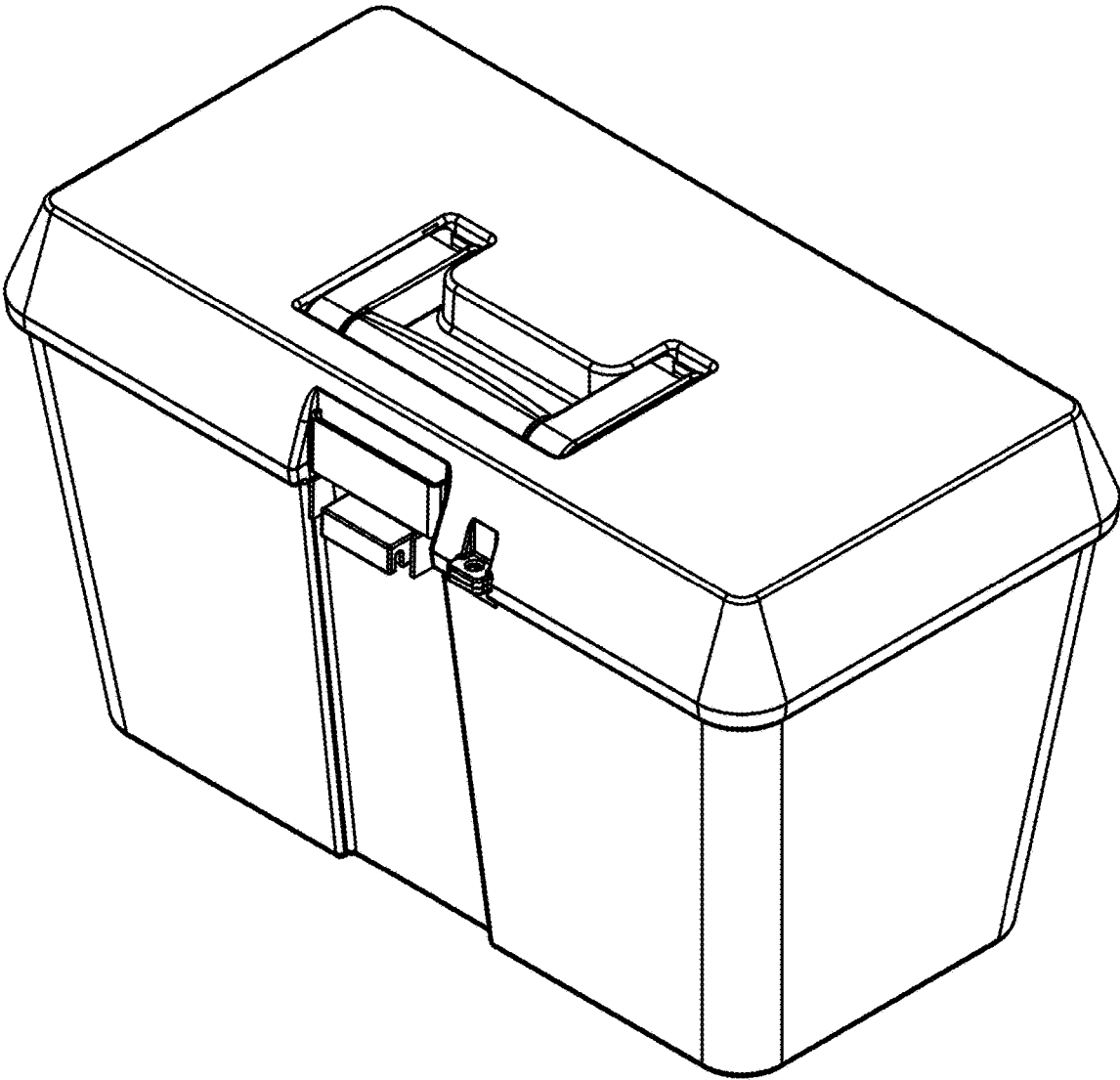


FIG. 2

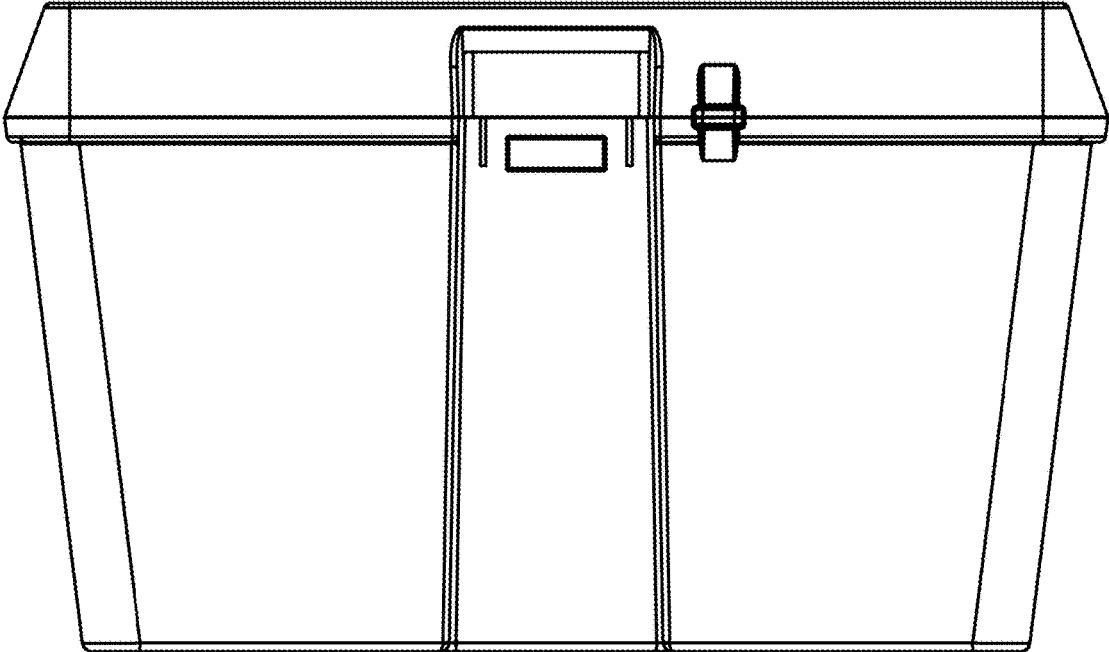


FIG. 3

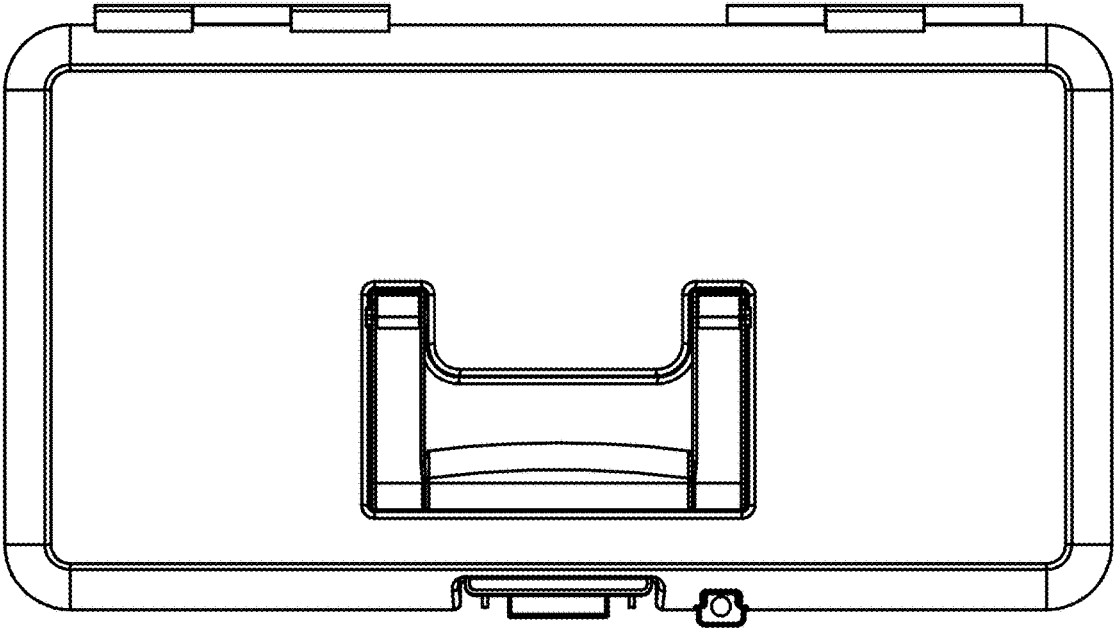


FIG. 4

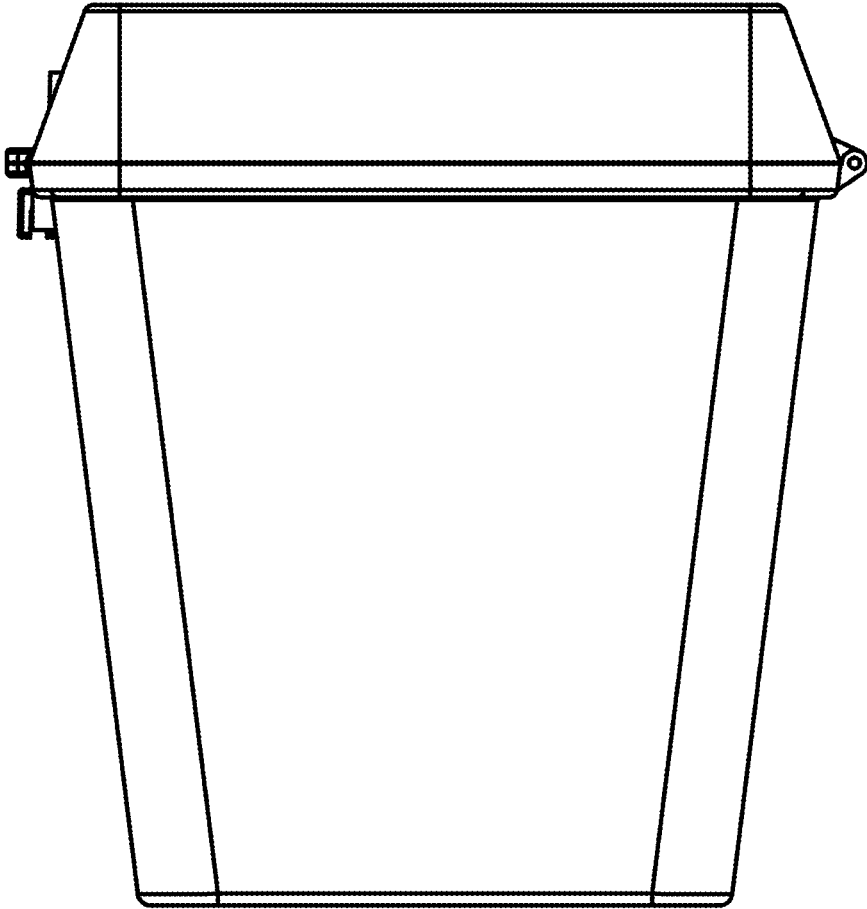


FIG. 5

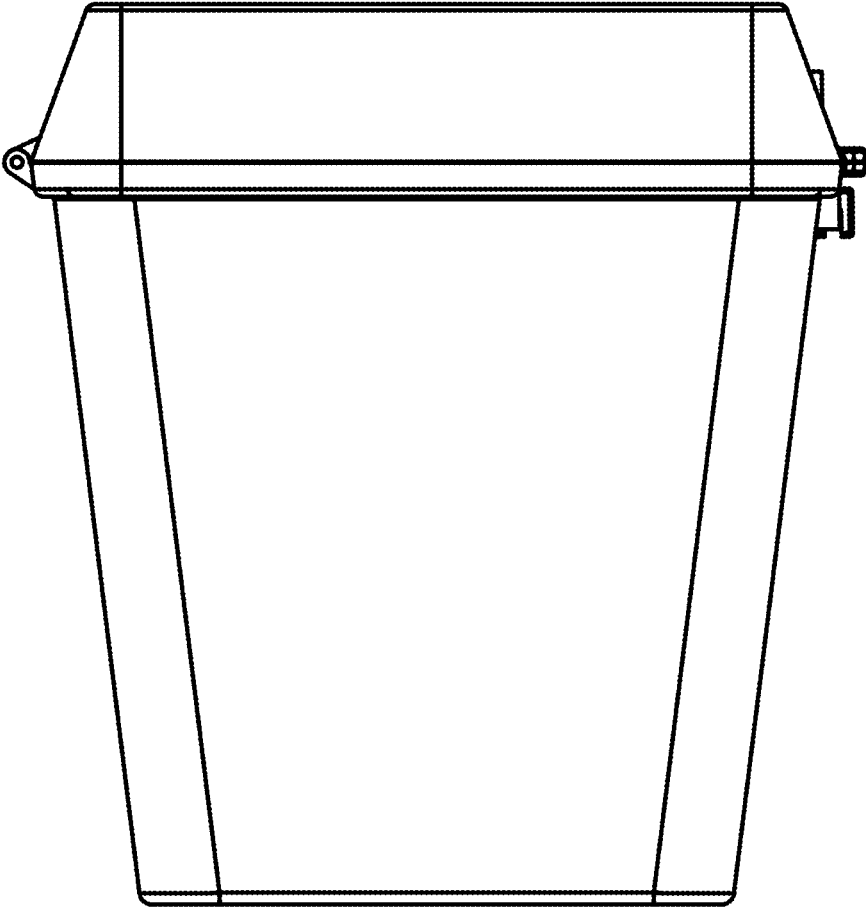


FIG. 6

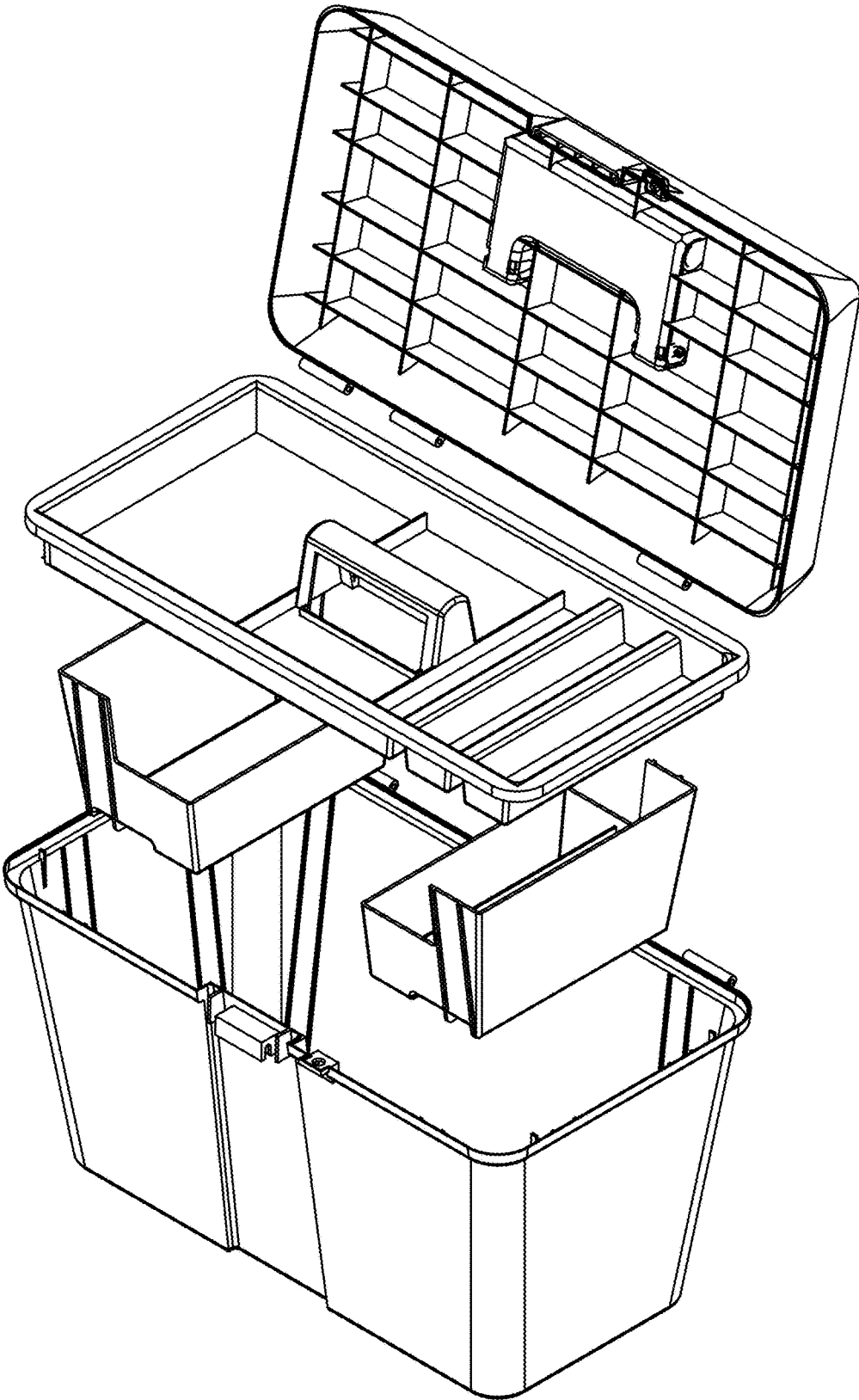


FIG. 7

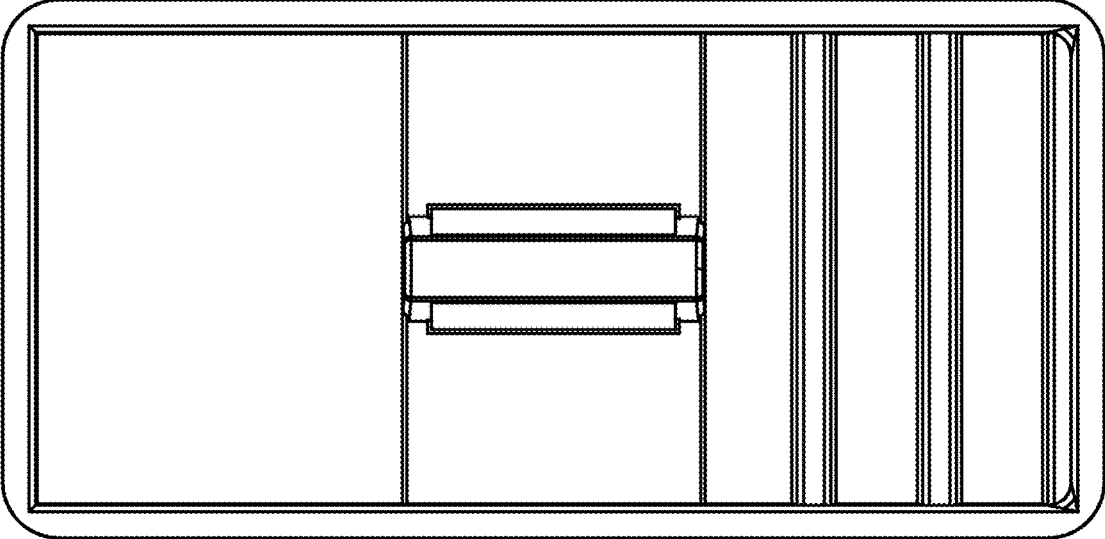


FIG. 8

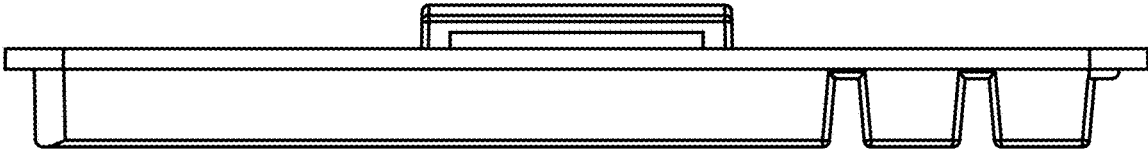


FIG. 9

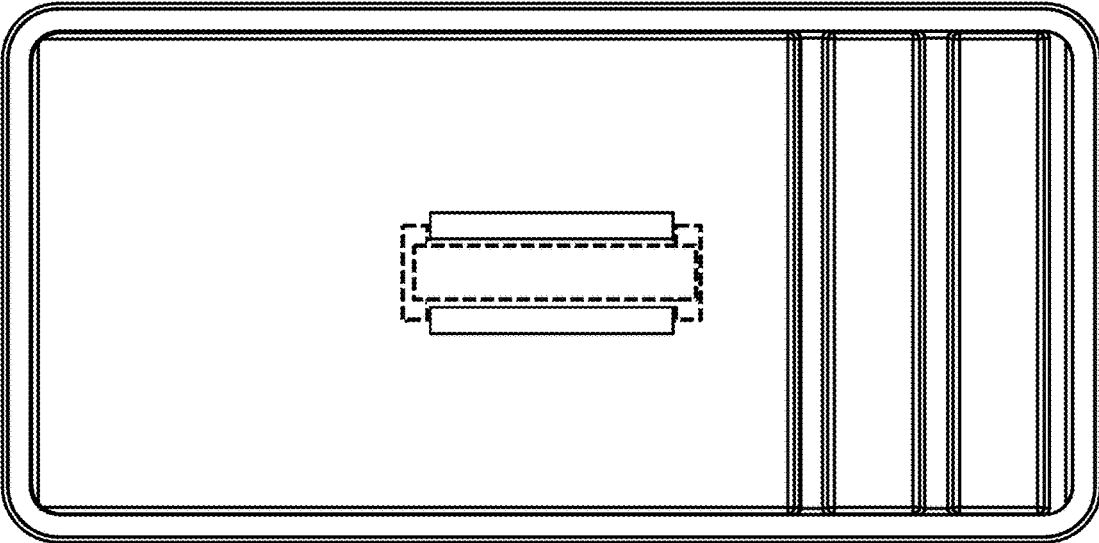


FIG. 10

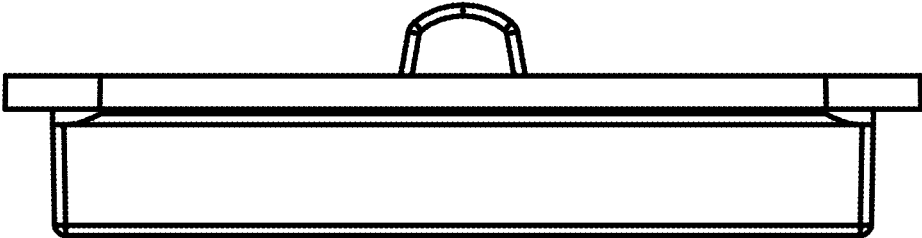


FIG. 11

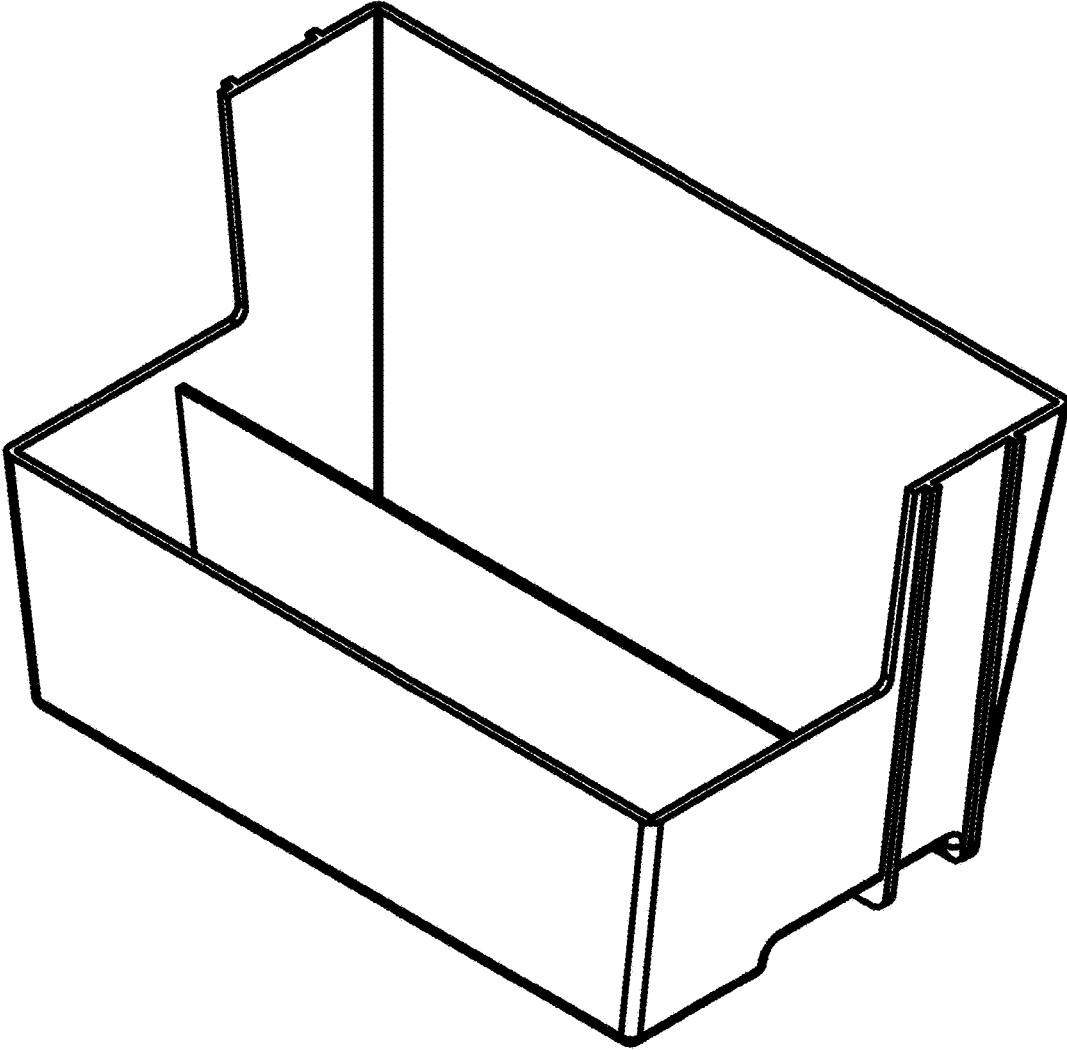


FIG. 12

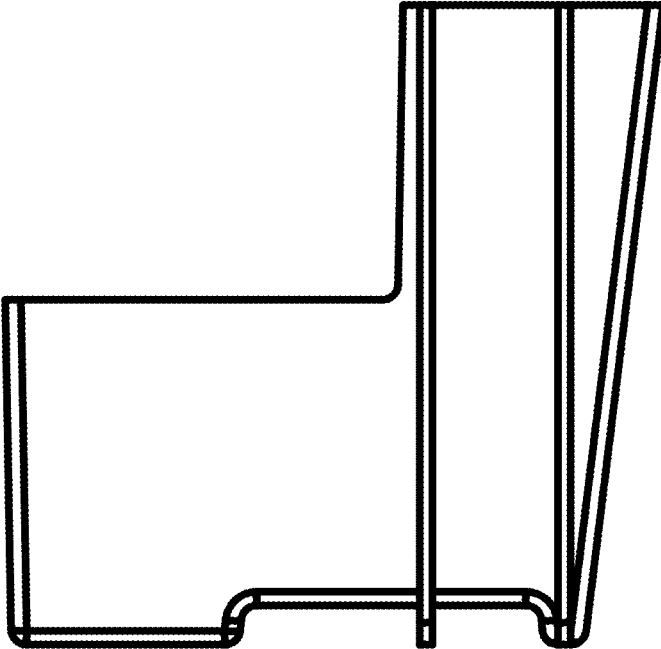


FIG. 13

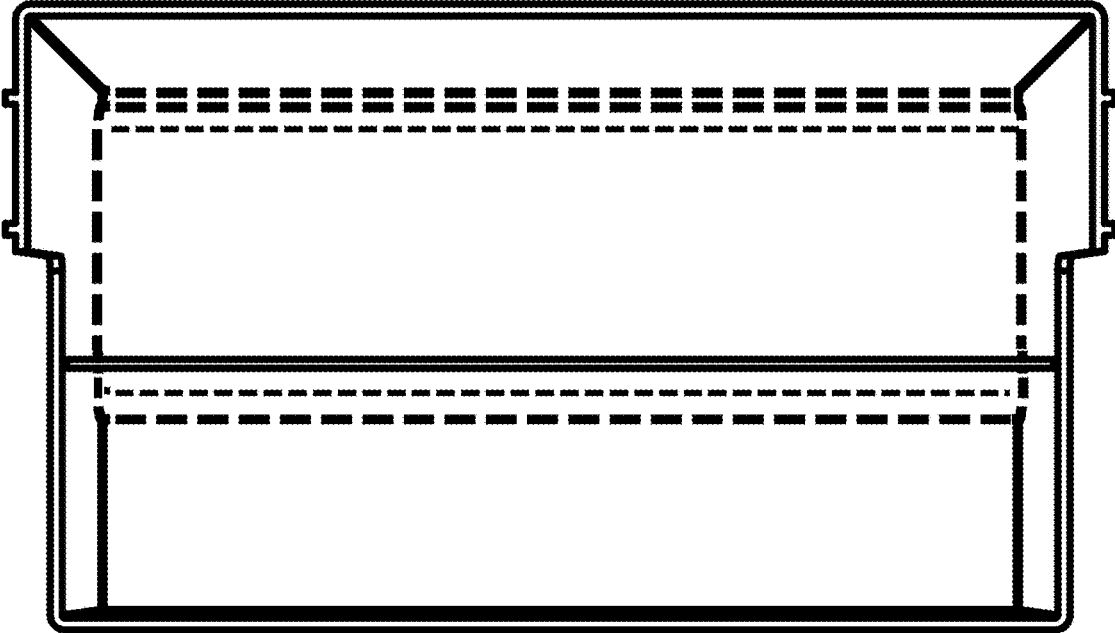


FIG. 14

