



US00D646280S

(12) **United States Design Patent**
Yano

(10) **Patent No.:** **US D646,280 S**

(45) **Date of Patent:** **** Oct. 4, 2011**

(54) **COMBINED REMOTE CONTROLLER AND TRANSCEIVER**

(75) Inventor: **Ken Yano**, Tokyo (JP)

(73) Assignee: **Sony Computer Entertainment Inc.**, Tokyo (JP)

(**) Term: **14 Years**

(21) Appl. No.: **29/347,516**

(22) Filed: **Feb. 18, 2010**

(30) **Foreign Application Priority Data**

Sep. 18, 2009 (JP) D2009-021731

(51) **LOC (9) Cl.** **14-03**

(52) **U.S. Cl.** **D14/412; D14/218; D14/188; D14/205**

(58) **Field of Classification Search** D14/205, D14/217, 218, 356, 388, 399-401, 412-416, D14/432, 434, 454-457, 496; D21/324, D21/332, 333; 463/1, 30, 36-38, 46, 47; 345/156-161, 905

See application file for complete search history.

(56) **References Cited**

U.S. PATENT DOCUMENTS

D408,821 S	4/1999	Takahashi	
D411,998 S	7/1999	Hakoda et al.	
D413,328 S	8/1999	Kazama	
D419,978 S *	2/2000	Mah	D14/432
D431,240 S	9/2000	Deguchi	
D432,524 S	10/2000	Yamagishi	
D435,543 S	12/2000	Nakamura	
D458,249 S	6/2002	Hayashi	
D476,974 S	7/2003	Goto	
D481,374 S *	10/2003	Lee	D14/188
D484,886 S *	1/2004	Matsuoka	D14/454
D487,451 S *	3/2004	Suzuki	D14/218
D490,069 S *	5/2004	Lee	D14/188

D490,070 S *	5/2004	Lee	D14/188
D492,284 S *	6/2004	Suzuki	D14/218
D510,930 S	10/2005	Deguchi	
D533,542 S *	12/2006	Suzuki et al.	D14/218
D534,150 S *	12/2006	Griffin	D14/155
D535,974 S *	1/2007	Alwicker et al.	D14/188

(Continued)

FOREIGN PATENT DOCUMENTS

JP D1153363 S 9/2002

(Continued)

OTHER PUBLICATIONS

Web page, "HBH-PV708", <http://www1.jp.sonymstyle.com/Qnavi/Product/HBH-PV708/?SSID=62>, 1 sheet, Sony Style (Japan) Inc., (2008).

(Continued)

Primary Examiner — Stella Reid

Assistant Examiner — Keli L Hill

(74) *Attorney, Agent, or Firm* — Rader, Fishman & Grauer PLLC

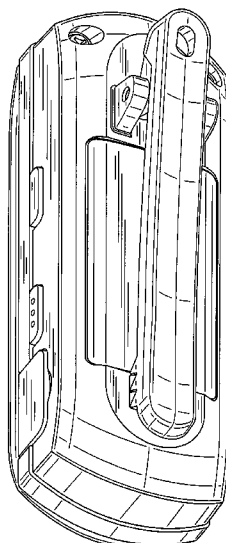
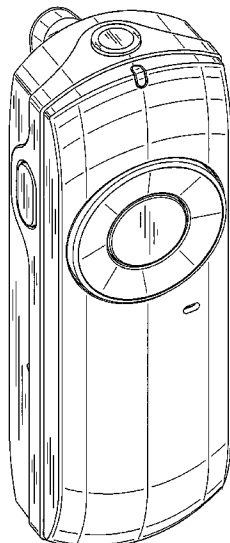
(57) **CLAIM**

The ornamental design for a combined remote controller and transceiver, as shown.

DESCRIPTION

FIG. 1 is a front elevational view of a combined remote controller and transceiver showing my new design; FIG. 2 is a rear elevational view thereof; FIG. 3 is a left side elevational view thereof; FIG. 4 is a right side elevational view thereof; FIG. 5 is a top plan view thereof; FIG. 6 is a bottom plan view thereof; FIG. 7 is a front, top, left perspective view thereof; and, FIG. 8 is a rear, bottom, right perspective view thereof.

1 Claim, 7 Drawing Sheets



US D646,280 S

Page 2

U.S. PATENT DOCUMENTS

D550,212 S 9/2007 Hakoda
D550,213 S 9/2007 Hakoda
D552,600 S 10/2007 Oota
D552,601 S 10/2007 Oota
D567,216 S 4/2008 Densho
D573,582 S * 7/2008 Ma D14/205
D598,008 S 8/2009 Shimizu
D602,473 S * 10/2009 Moller et al. D14/218
D602,919 S * 10/2009 Bodley et al. D14/225
D609,221 S * 2/2010 Kim et al. D14/218
D618,681 S * 6/2010 Richter et al. D14/358

FOREIGN PATENT DOCUMENTS

JP D1364605 S 7/2009

OTHER PUBLICATIONS

Web page, "HBH-PV708", <http://www.rakuten.ne.jp/gold/joshinweb/report/pv807/>, 6 sheets, Rakuten, (2008).

Web page, "HBH-PV708", <http://m.sonyericsson.com/mobile/dotcom/accessories?accessory=Pv708&cat=recommende>, 1 sheet, SonyEricsson, (2008).

Decision to Grant issued on Sep. 15, 2010 from Russian Patent Office for 2010500280/49(005566).

Decision to Grant issued on Oct. 15, 2010 from Taiwan Patent Office for application No. 099300709.

* cited by examiner

FIG.1

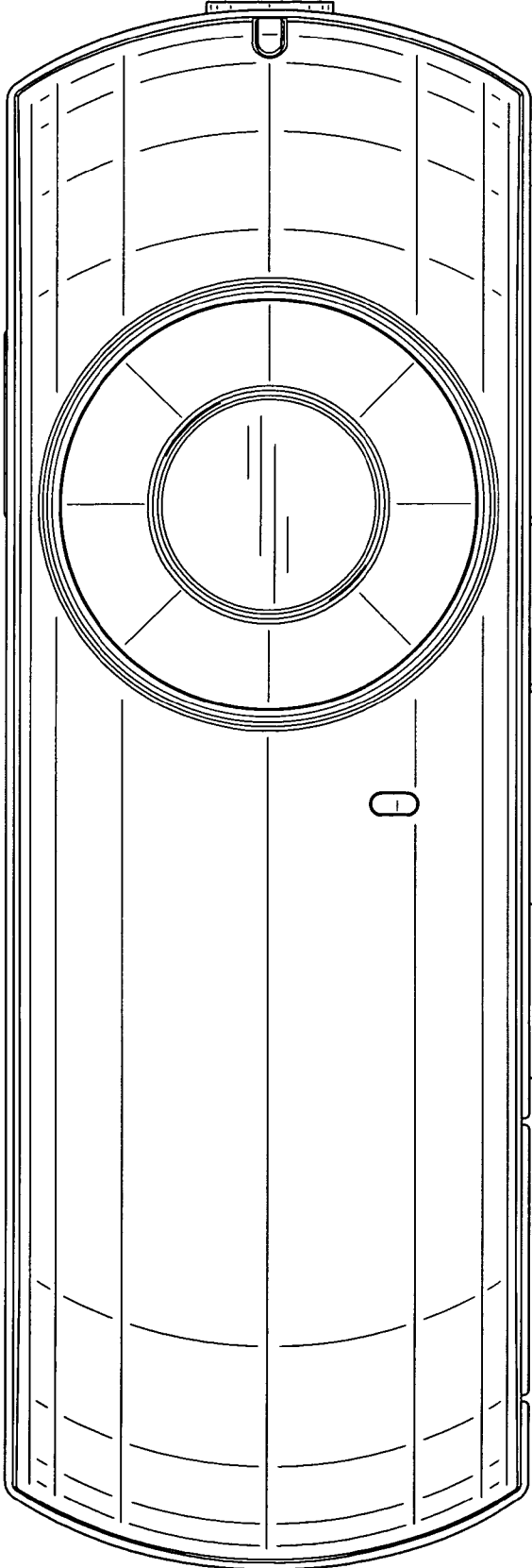


FIG.2

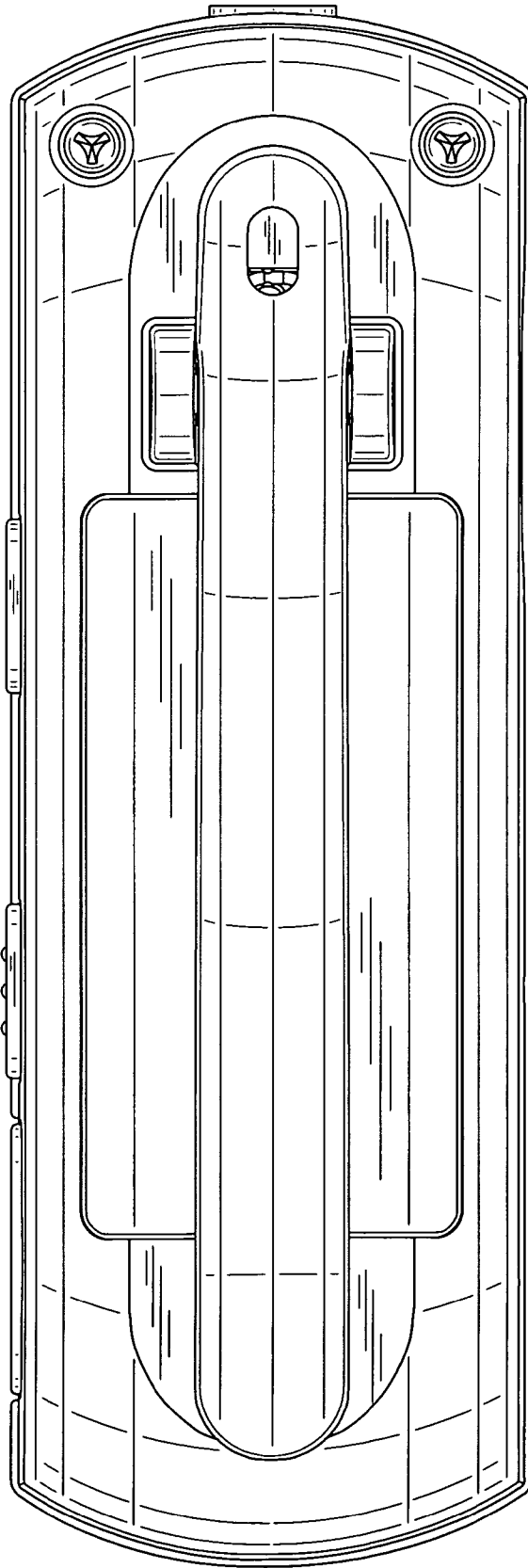


FIG.3

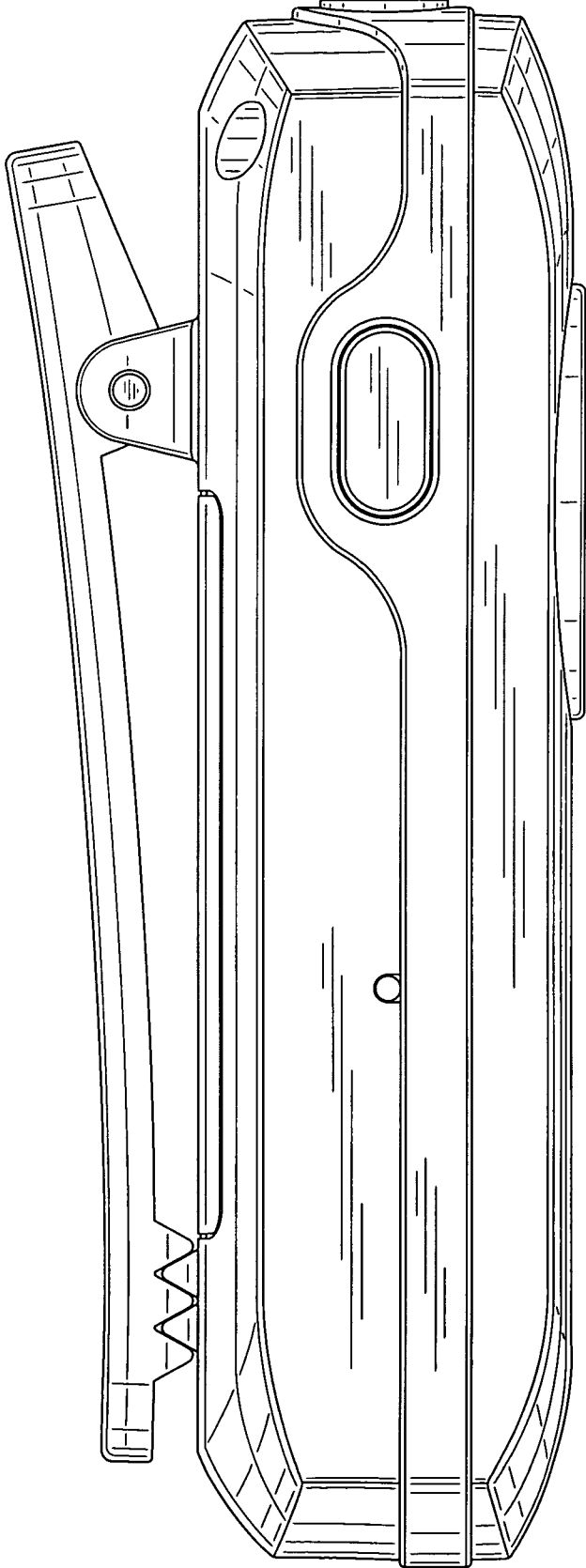


FIG.4

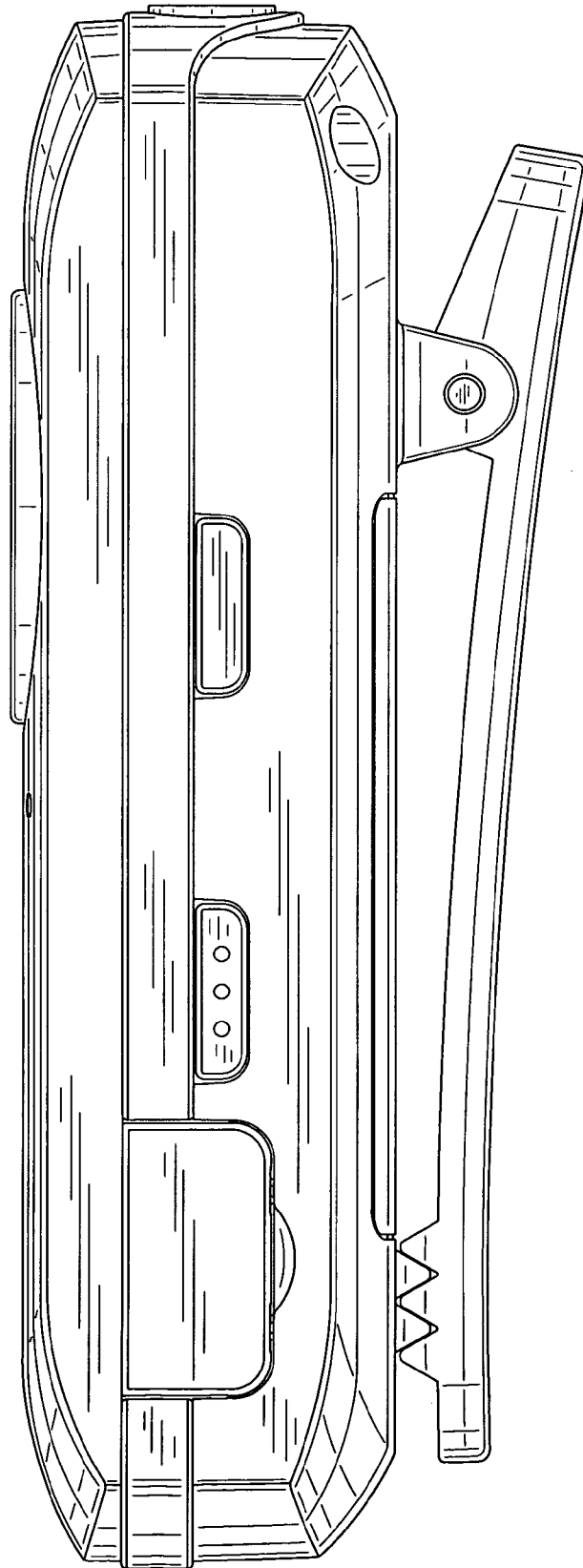


FIG.5

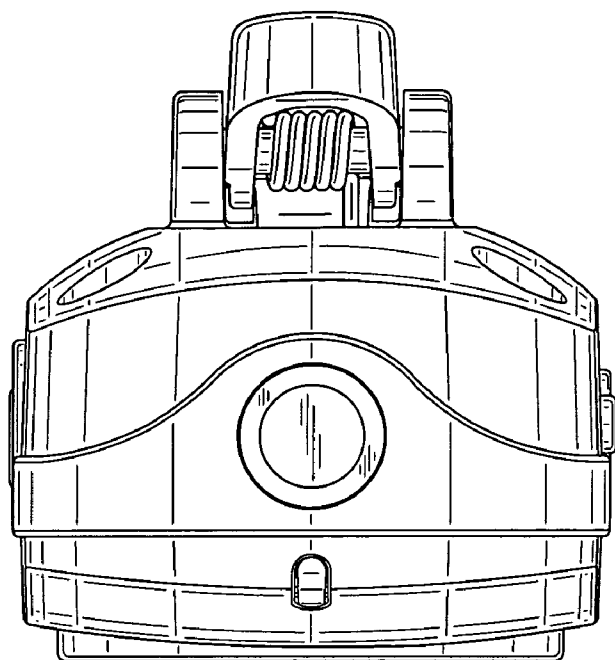


FIG.6

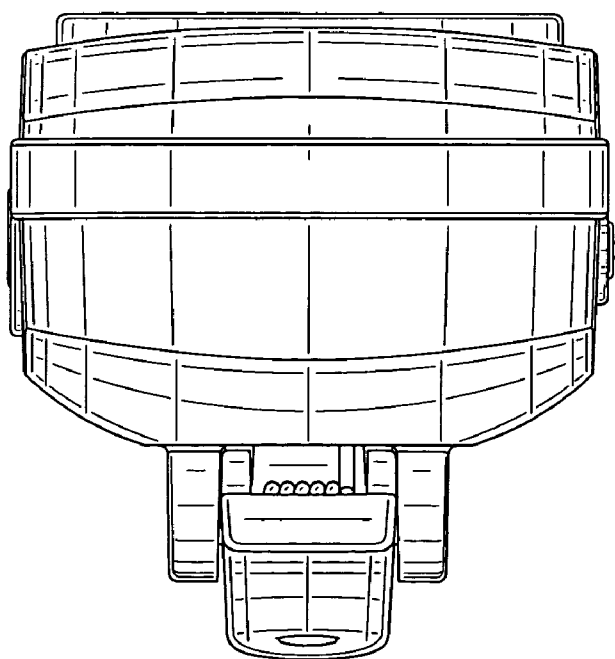


FIG.7

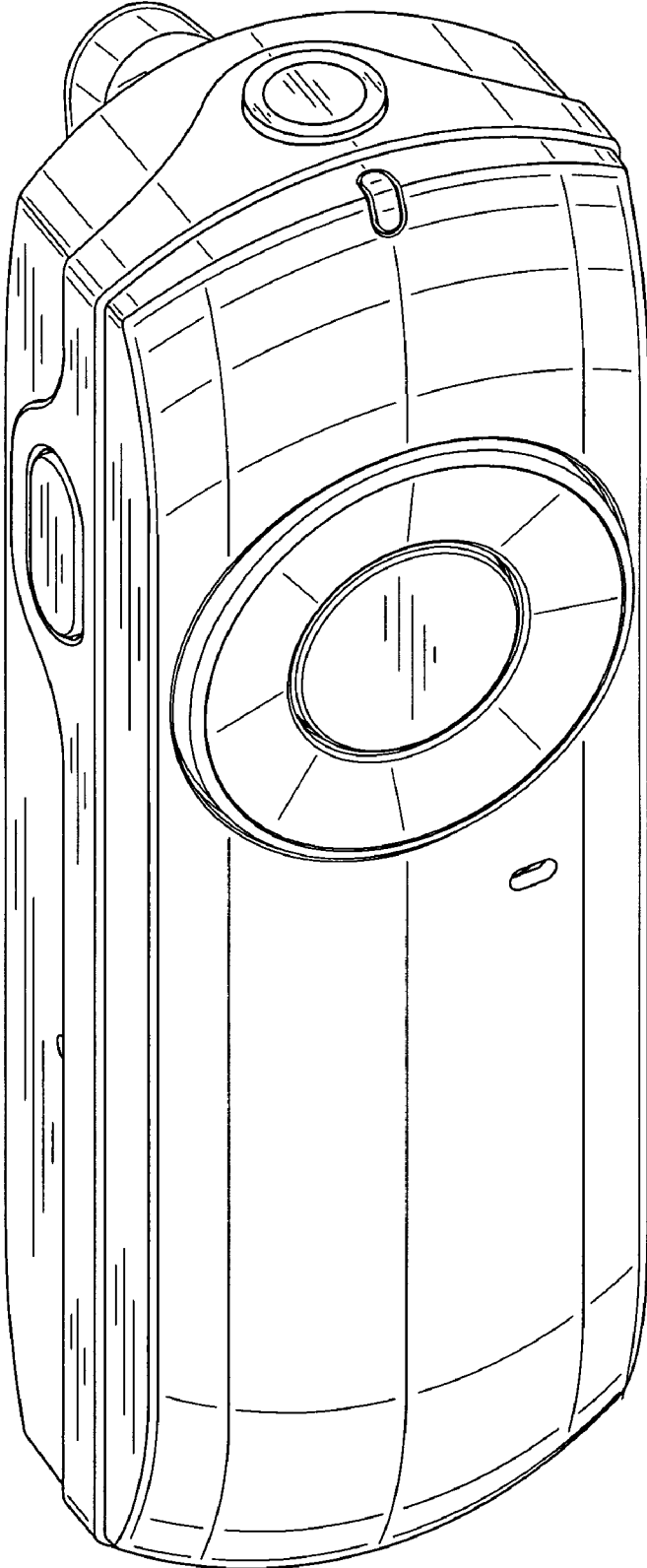


FIG.8

