



(19) **United States**  
 (12) **Reissued Patent**  
**Theodoras, II**

(10) **Patent Number: US RE49,408 E**  
 (45) **Date of Reissued Patent: Jan. 31, 2023**

(54) **UNIVERSAL SFP SUPPORT**

(71) Applicant: **CISCO TECHNOLOGY, INC.**, San Jose, CA (US)

(72) Inventor: **James T. Theodoras, II**, Plano, TX (US)

(73) Assignee: **CISCO TECHNOLOGY, INC.**, San Jose, CA (US)

(21) Appl. No.: **16/749,072**

(22) Filed: **Jan. 22, 2020**

**Related U.S. Patent Documents**

Reissue of:

(64) Patent No.: **7,461,179**  
 Issued: **Dec. 2, 2008**  
 Appl. No.: **10/837,223**  
 Filed: **Apr. 30, 2004**

(51) **Int. Cl.**  
**G06F 3/00** (2006.01)  
**G06F 11/00** (2006.01)  
**G06F 13/38** (2006.01)  
**H04Q 1/08** (2006.01)  
**H04Q 1/02** (2006.01)

(52) **U.S. Cl.**  
 CPC ..... **H04Q 1/08** (2013.01); **H04Q 1/028** (2013.01)

(58) **Field of Classification Search**  
 CPC ... G06F 9/542; G06F 11/008; H01R 13/6275; G02B 6/3817; H04L 12/46; H04L 29/12113; H04L 49/30; H04L 12/28; H04B 10/40; H04B 10/66  
 USPC ..... 370/248, 401, 255; 709/224, 250; 385/147; 398/135; 439/701; 340/687  
 See application file for complete search history.

(56) **References Cited**

**U.S. PATENT DOCUMENTS**

6,072,803 A	6/2000	Allmond et al.	
6,151,688 A *	11/2000	Wipfel .....	G06F 11/008 709/224
6,293,706 B1 *	9/2001	Strike .....	G02B 6/3817 385/147
6,328,480 B1 *	12/2001	Strike .....	385/75
6,430,053 B1	8/2002	Peterson et al.	
6,439,918 B1	8/2002	Togami et al.	
6,533,603 B1	3/2003	Togami	
6,556,445 B2	4/2003	Medina	
6,570,768 B2	5/2003	Medina	
6,587,240 B1	7/2003	Lacey et al.	
6,647,010 B1	11/2003	Ford et al.	
6,655,995 B1	12/2003	Reisinger et al.	
6,848,009 B2	1/2005	Pascolini	

(Continued)

**FOREIGN PATENT DOCUMENTS**

JP 3215685 B2 10/2001

**OTHER PUBLICATIONS**

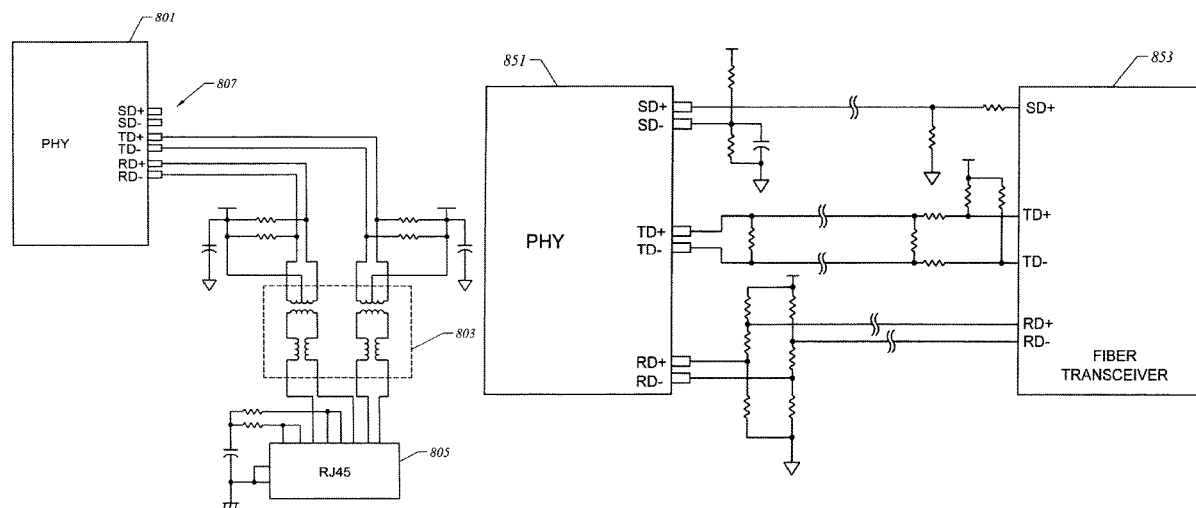
BCM5201/BCM5202 10/100BASE-TX/FX Mini- $\phi$ ™ Transceiver; Mar. 2, 1999; Broadcom Corporation; pp. 1-49.\*

*Primary Examiner* — Christopher E. Lee

(57) **ABSTRACT**

Techniques for supporting optical and electrical protocols, such as on the ports of a line card in a network device, are provided. A port on a line card supports optical and electrical connections. The PHY monitors a signal to determine if the transmission connection at the port has changed, such as from optical to electrical, or vice versa. If there has been a change, the PHY is directed to reset a port to correspond to the appropriate transmission connection. By resetting the port, the PHY changes the protocol that is utilized with the signals (e.g., NRZI or 3-Level MLT3).

**41 Claims, 7 Drawing Sheets**



(56)

**References Cited**

U.S. PATENT DOCUMENTS

6,934,261 B1\* 8/2005 Vo ..... H04L 29/12113  
370/255  
7,054,309 B1\* 5/2006 Hoot et al. .... 370/360  
7,118,281 B2\* 10/2006 Chiu et al. .... 385/53  
7,143,197 B1\* 11/2006 Lloyd ..... G06F 9/542  
709/250  
7,787,387 B2\* 8/2010 Huff ..... H04L 12/28  
370/248  
2003/0179711 A1\* 9/2003 Huff ..... 370/248  
2004/0067060 A1\* 4/2004 Aronson ..... H04B 10/66  
398/135  
2010/0141466 A1\* 6/2010 Nguyen ..... H04L 49/30  
340/687

\* cited by examiner

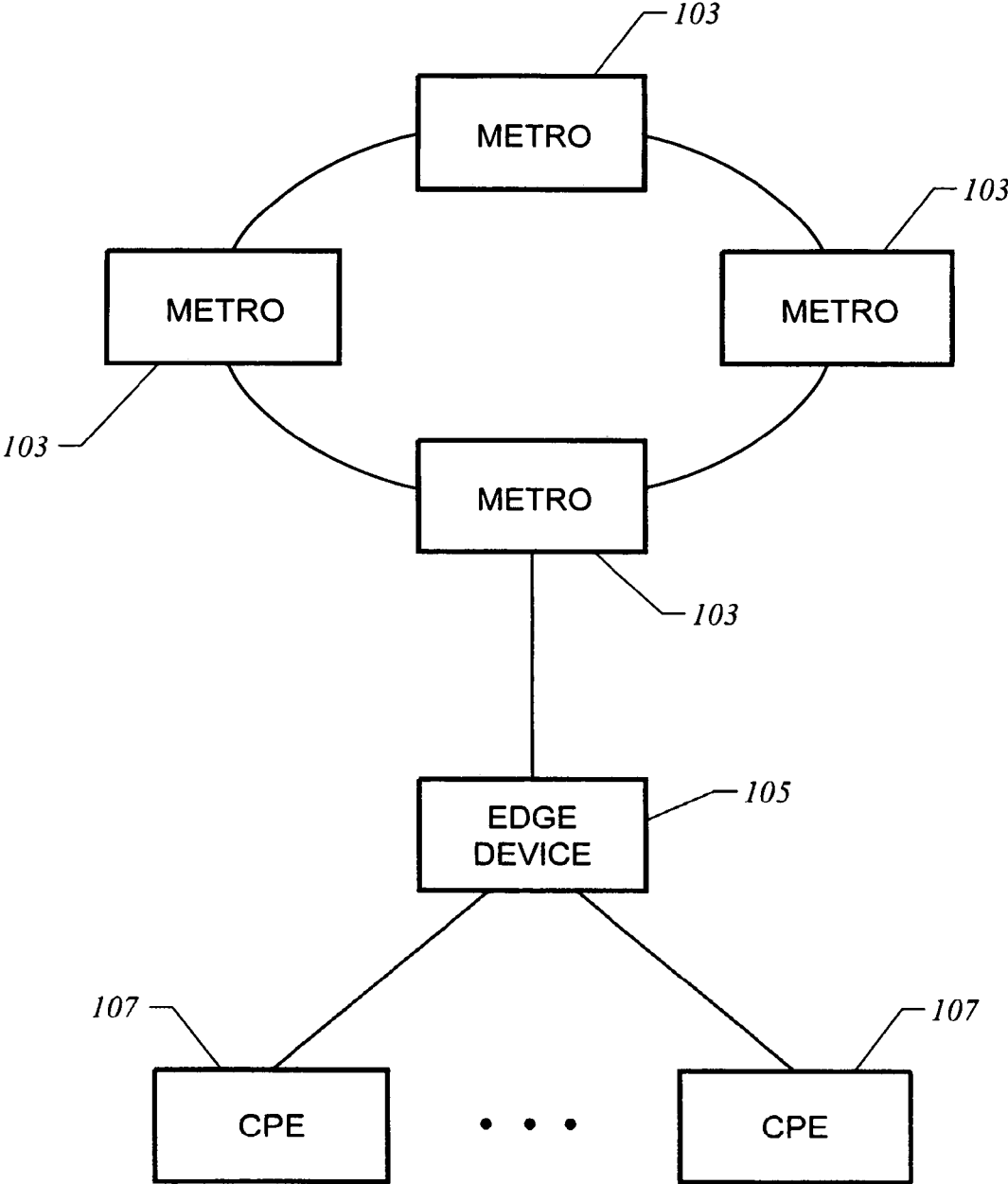


FIG. 1

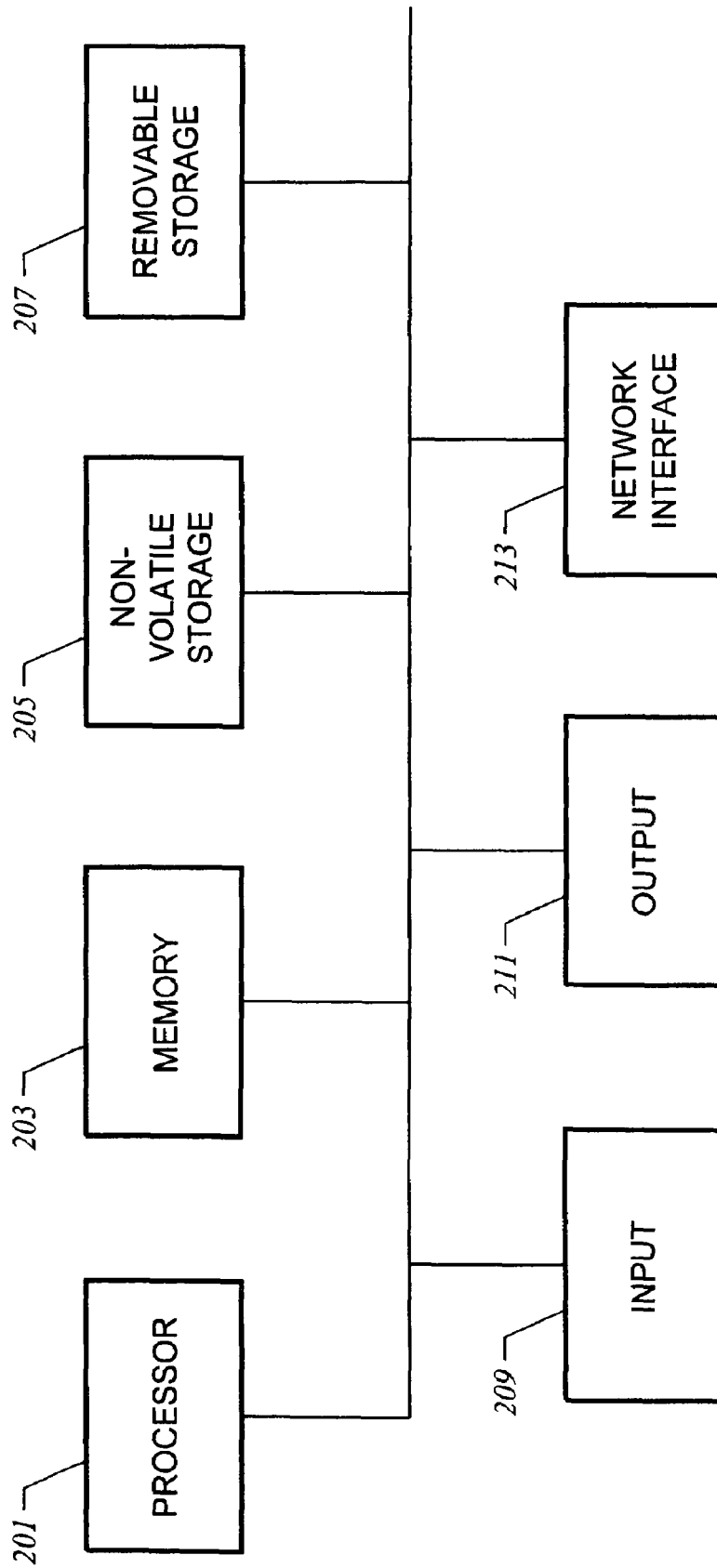


FIG. 2

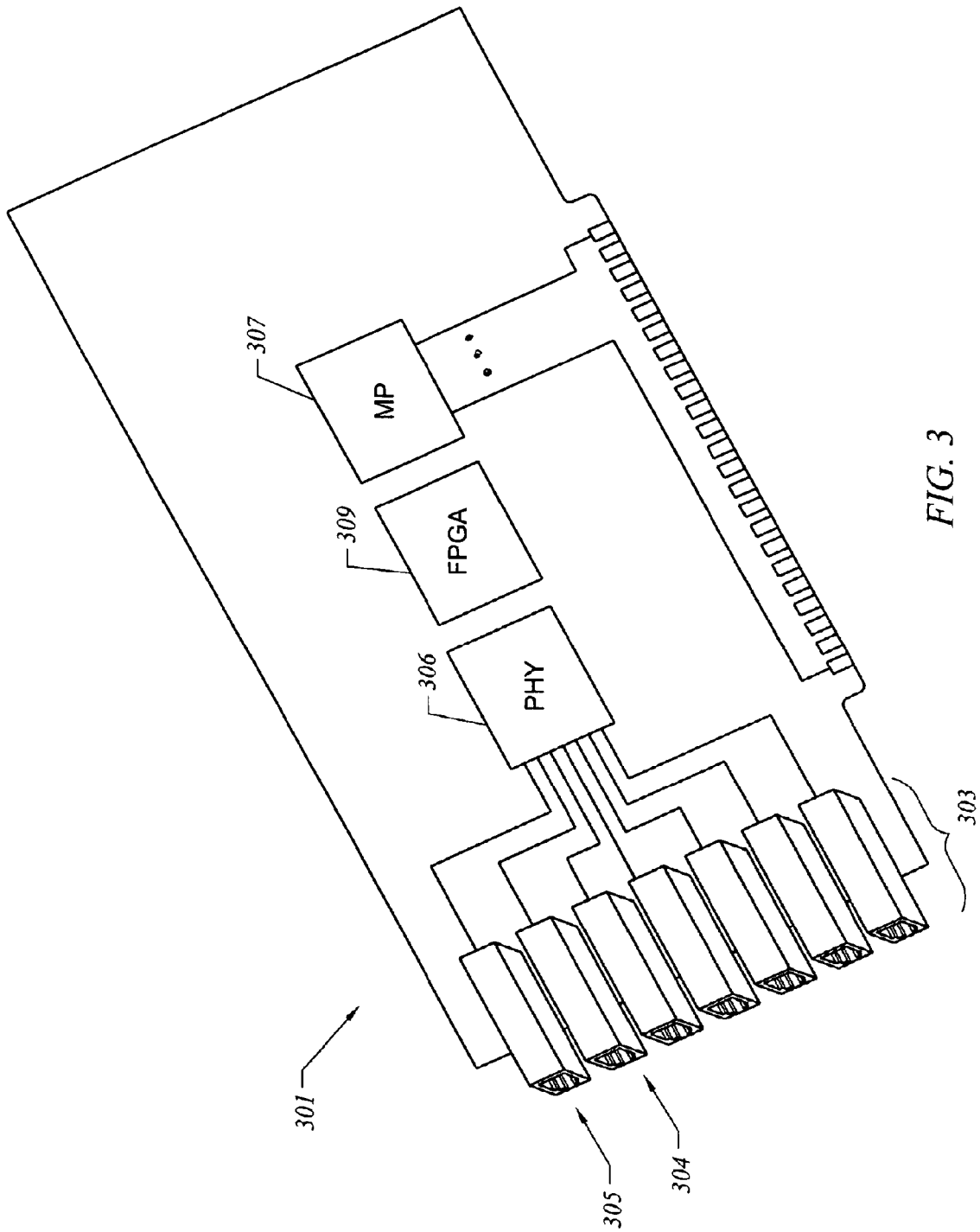


FIG. 3

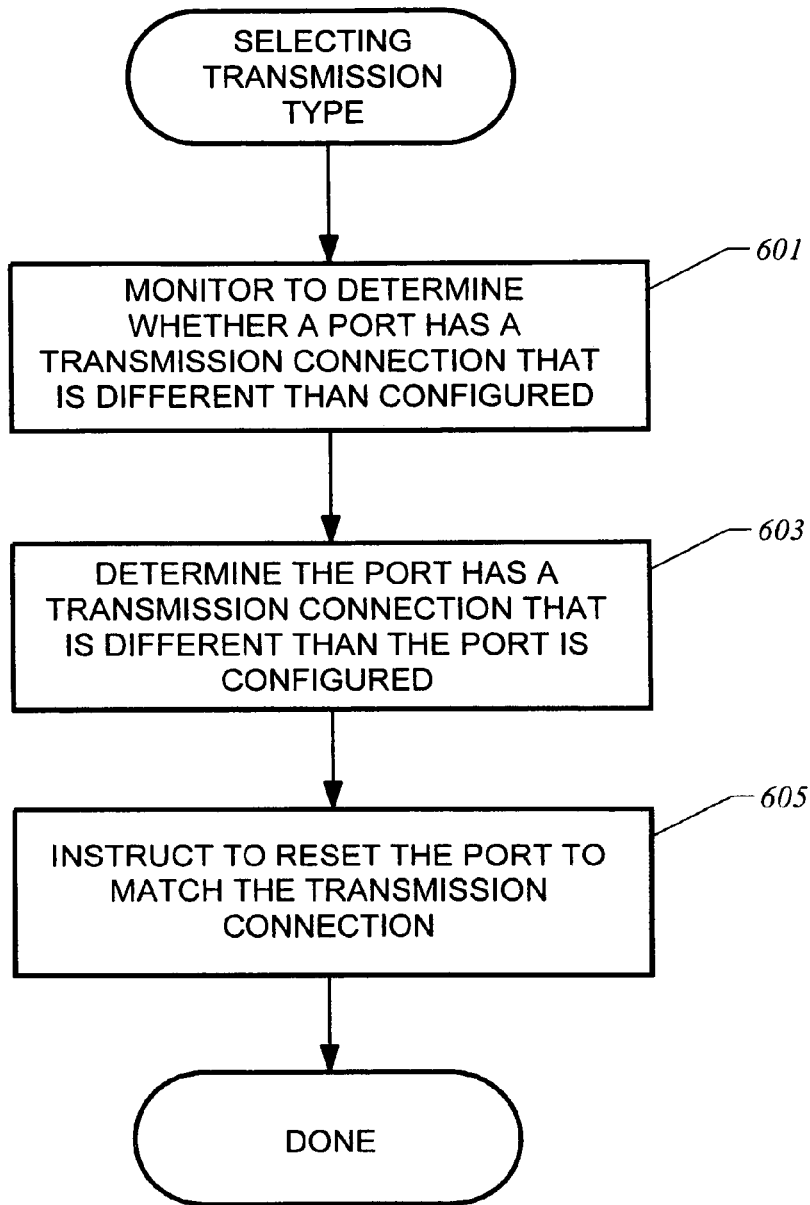


FIG. 4

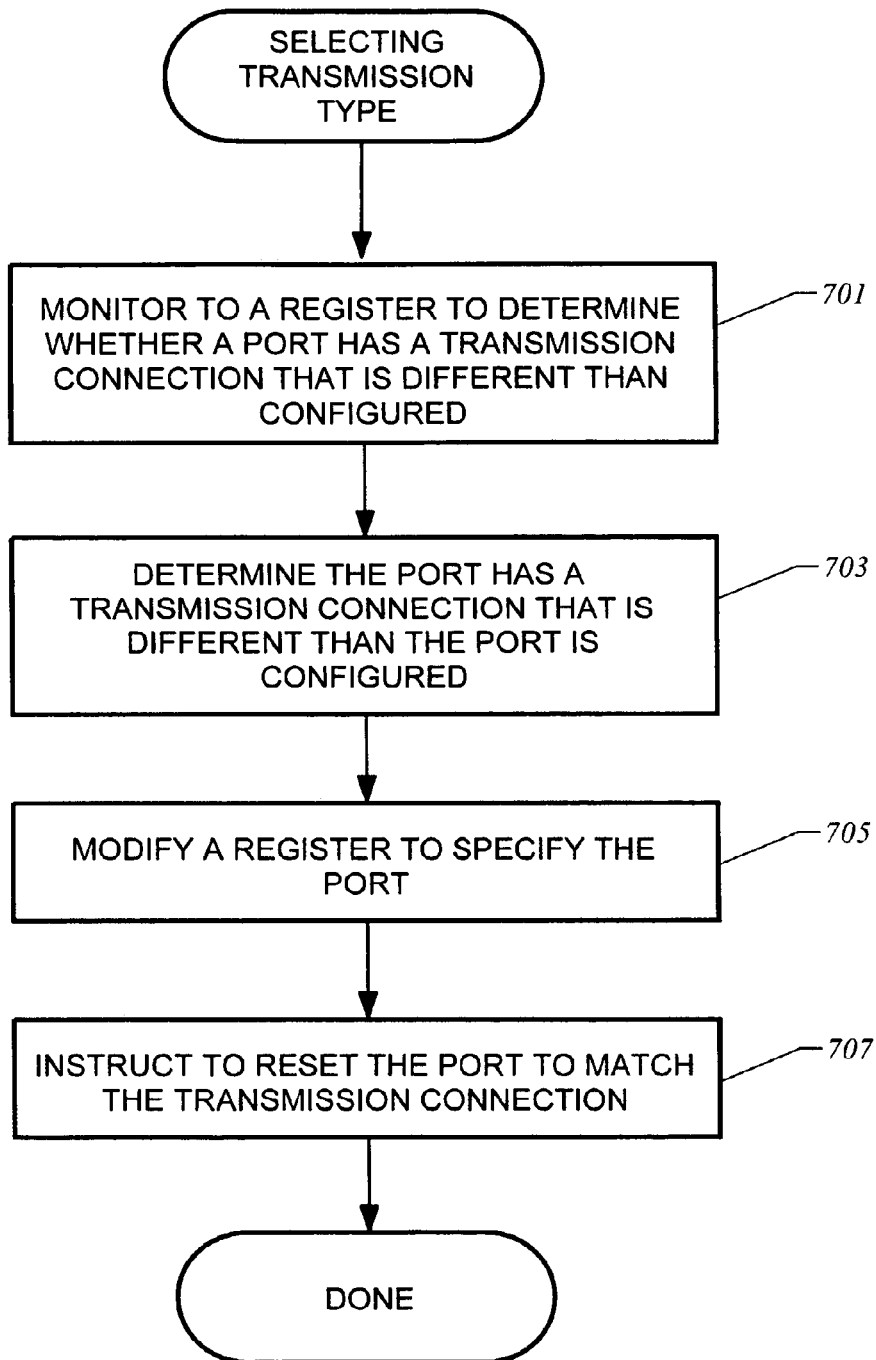


FIG. 5

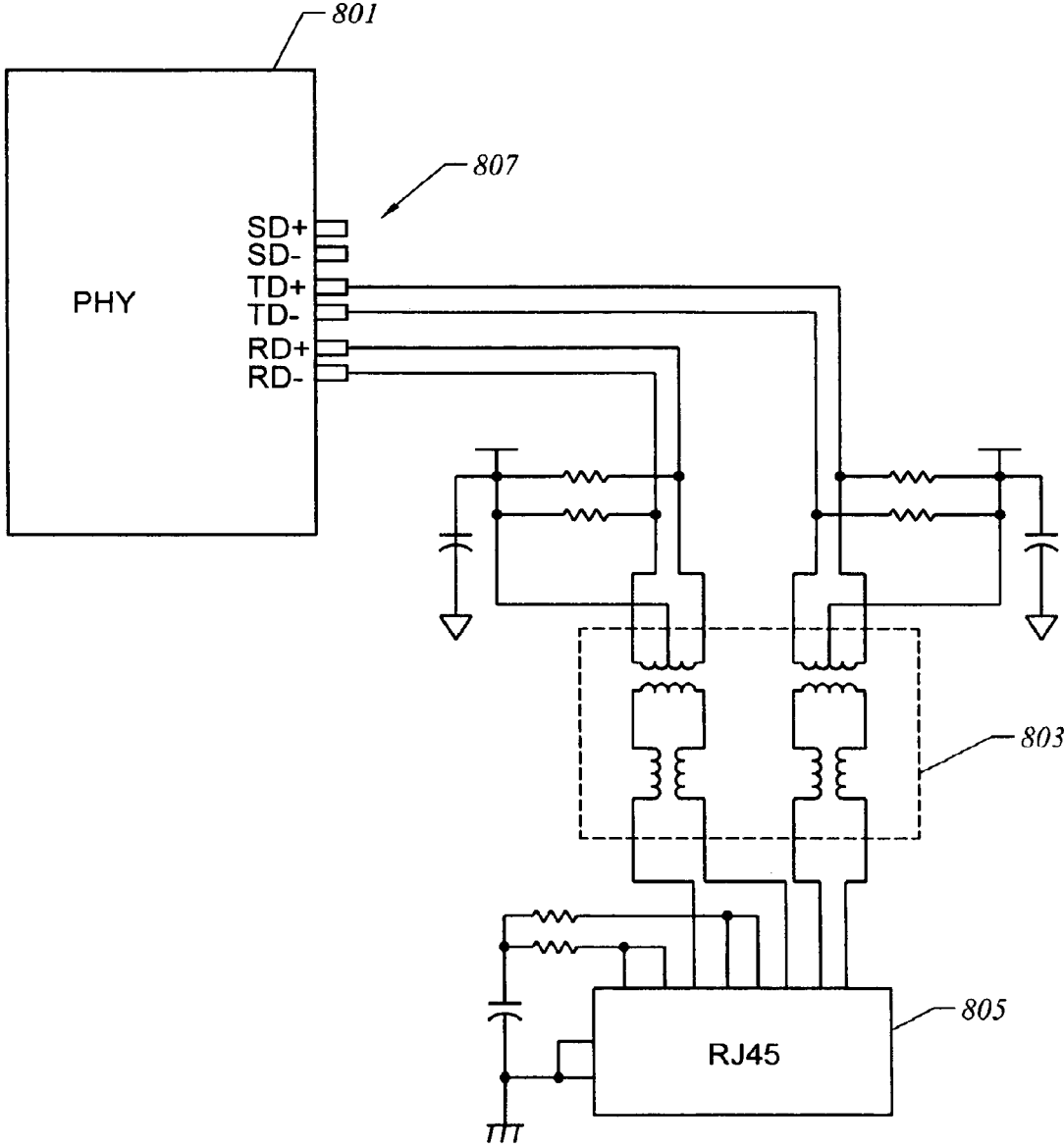


FIG. 6

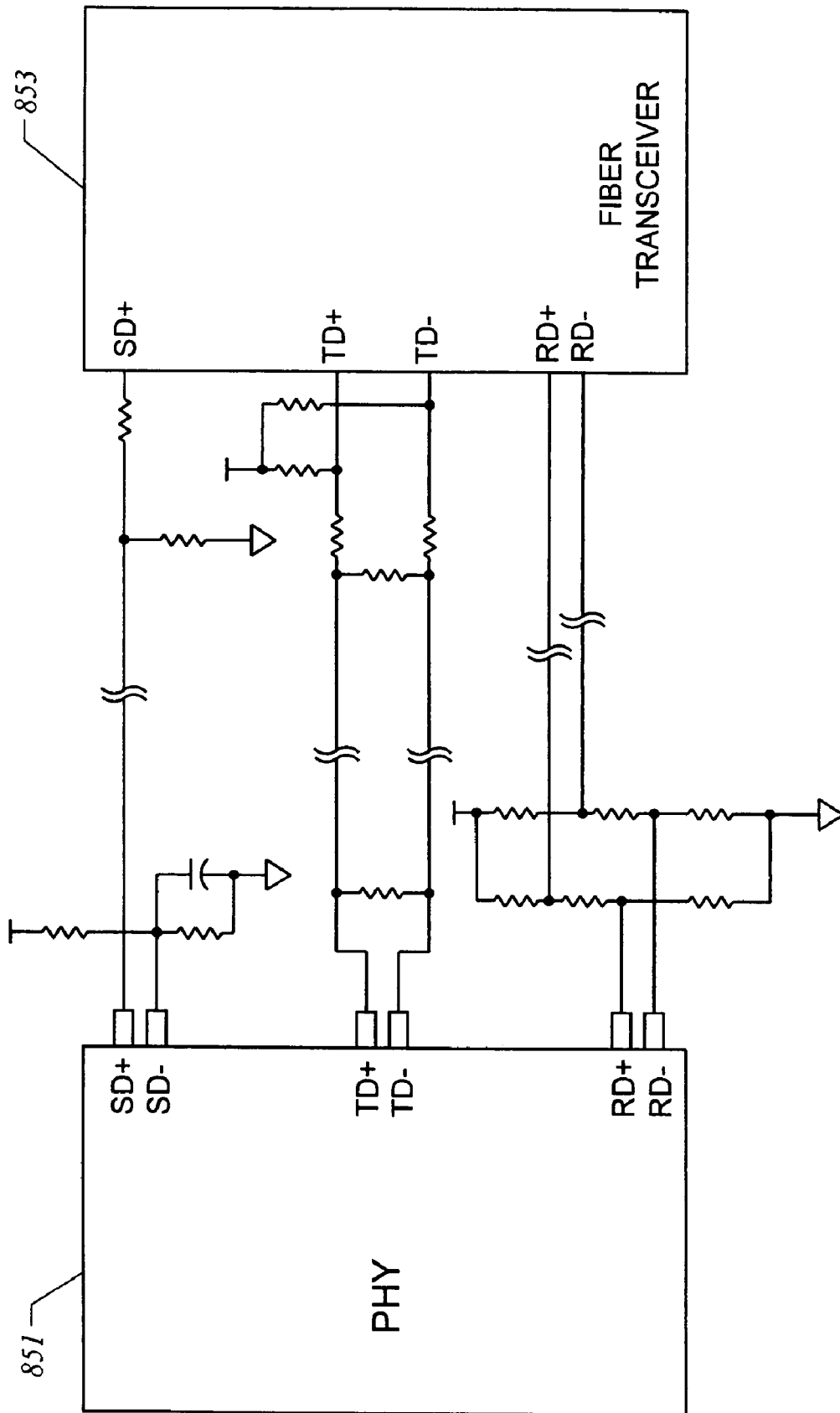


FIG. 7

## UNIVERSAL SFP SUPPORT

**Matter enclosed in heavy brackets [ ] appears in the original patent but forms no part of this reissue specification; matter printed in italics indicates the additions made by reissue; a claim printed with strikethrough indicates that the claim was canceled, disclaimed, or held invalid by a prior post-patent action or proceeding.**

## BACKGROUND OF THE INVENTION

The present invention relates to networks. More specifically, the invention relates to techniques for supporting electrical and optical connections in network devices.

The earliest networks used electrical signals over copper wires. Although networks have come a long way over the years, this is still a popular transmission methodology. However, light signals over optical cables is now the standard transmission methodology for high bandwidth network connections.

As fiber optics developed, many new technologies emerged to enhance their use. For example, fairly recently, a specification for a new generation of optical modular transceivers was developed named "small form-factor pluggable" (SFP). SFP transceivers are designed to be high bandwidth, small physical size and easily changeable (including being hot-swappable). The changeable nature or SFPs allows repairs and upgrades to be done much more efficiently.

Network devices typically have a backplane in which numerous line cards can be inserted. As SFPs are optical transceivers, they are typically found on line cards that support optical connections. Thus, there are line cards that support multiple electrical connections (e.g., RJ45) and other line cards that support multiple optical connections. Because the underlying format and encoding of the signals is different, line cards were typically designed as either electrical or optical.

However, there soon became a demand for line cards that could support both electrical and optical connections. This has been accomplished using what will be called "copper SFPs" because they plug into ports on line cards like optical SFPs. These implementations have numerous disadvantages.

First off, this approach typically utilizes a conversion integrated circuit (IC) within the optical SFPs in order to convert from optical to electrical formats and encoding that are supported by the line card. Additionally, an interfacing application specific IC (ASIC) may be required that incorporates a proprietary SGMII interface to support lower data rates such as 10BASE-T and 100BASE-T. The additional circuitry adds complexity and cost that has made this solution less than satisfactory.

It would be beneficial to have innovative techniques for allowing line cards to support optical and electrical connections, including the capability to allow a port to support optical and electrical transceivers. Additionally, it would be beneficial if none or a small amount of additional circuitry was needed to provide these capabilities.

## SUMMARY OF THE INVENTION

The present invention provides innovative techniques for supporting optical and electrical connections, such as on ports of a line card in a network device. In general, a port on a line card can support optical and electrical connections

(e.g., through a transceiver). The PHY monitors a signal (e.g., on a signal detect or SD pin) to determine if the transmission connection at the port has changed, such as from optical to electrical, or vice versa. If there has been a change, the PHY is directed to reset a port to correspond to the appropriate transmission connection.

Advantages include line cards can be developed where each port can support either an optical or electrical connection. Additionally, this flexibility can be achieved with zero or minimal additional circuitry, which reduces costs. Other savings are that expensive conversion ASICs and SGMII-compatible ASICs may not be necessary. Some specific embodiments of the invention are described below.

In one embodiment, the invention provides a method of selecting optical or electrical transmissions on a port of a line card in a network device, the line card including an integrated circuit that supports optical and electrical transmissions. The integrated circuit is monitored to determine whether a port has a transmission connection, optical or electrical, that is different than the port is configured. If it is determined that the port has a transmission connection that is different than the port is configured, the integrated circuit is then instructed to reset the port to the transmission connection at the port.

In another embodiment, the invention provides a method of selecting optical or electrical transmissions on a port of a line card in a network device, the line card including an integrated circuit that supports optical and electrical transmissions. A first register of the integrated circuit is monitored to determine whether a port has a transmission connection, optical or electrical, that is different than the port is configured. If it is determined that the port has a transmission connection that is different than the port is configured, a second register of the integrated circuit is modified to specify the port that has a transmission connection that is different than the port is configured. Then, the integrated circuit is instructed to reset the port specified by the second register to the transmission connection at the port.

Other features and advantages of the invention will become readily apparent upon review of the following description in association with the accompanying drawings, where the same or similar structures are designated with the same reference numerals.

## BRIEF DESCRIPTION OF THE DRAWINGS

FIG. 1 shows an example of a network including multiple network devices.

FIG. 2 illustrates a block diagram of a network device, computer system or subsystems thereof that can utilize embodiments of the invention.

FIG. 3 shows a high level block diagram of a line card for use in a network device.

FIG. 4 shows a flowchart of a process of selecting optical or electrical transmissions on a port of a line card in a network device.

FIG. 5 shows a flowchart of another process of selecting optical or electrical transmissions on a port of a line card in a network device.

FIG. 6 illustrates an embodiment of circuitry and components in a copper SFP for use with the invention.

FIG. 7 illustrates an embodiment of circuitry and components in an optical SFP for use with the invention.

## DETAILED DESCRIPTION OF EMBODIMENTS

In the description that follows, the present invention will be described in reference to embodiments that are used in

association with optical and electrical Ethernet connections in line cards of network devices. However, embodiments of the invention are not limited to any particular version, protocol, environment, application, or implementation. For example, although embodiments of the invention will be described in reference to line cards, the invention can be advantageously applied to many different types of network devices. Therefore, the description of the embodiments that follows is for purposes of illustration and not limitation.

FIG. 1 shows an example of a network including multiple network devices. The network shown is intended to illustrate an example of network devices and systems that can utilize embodiments of the invention. However, the invention is not limited to the network shown and can be utilized in other network configurations.

Within a metropolitan area, metro network elements **103** can transmit network data within a ring such as a Synchronized Optical Networks (SONET) ring. An example of a metro element **103** is the Cisco ONS 15454 available from Cisco Systems, Inc., San Jose, Calif. Typically, the SONET ring is connected to high speed optical core through a cross-connect network element (not shown).

An edge device **105** transmits network data to and from customer premise equipment (CPE) **107**. Edge device **107** is a network element that, among other things, receives network data for one of the customer premise equipment **109** and routes the network data to the appropriate destination. An example of edge device **107** is the Cisco ONS 15327 available from Cisco Systems Inc., San Jose, Calif. Although this network description is (or is expected to be) fairly common, embodiments of the invention are not limited the network as has been described.

Now that an exemplary network has been described, FIG. 2 shows a block diagram of components that can be present in network devices and computer systems that incorporate embodiments of the invention. A processor **201** executes code (or instructions) that direct the operation of the processor. Although processors typically have memory caches, processor **201** utilizes memory **203**, which can store code and data.

A non-volatile storage **205** can store code and data such that it is typically persistent and provides more storage when compared to memory **203**. At present, a common non-volatile storage is one or more hard drives. A removable storage **207** provides mobility to code and/or data that are stored thereon. Examples of removable storage are floppy disks, tape, CD-ROM, flash memory devices, and the like.

Memory **203**, non-volatile storage **205** and removable storage **207** provide examples of computer readable storage media that can be utilized to store and retrieve computer programs incorporating codes that implement the invention, data for use with the invention, and the like. Additionally, a data signal embodied in a carrier wave (e.g., in a network including the Internet) is an example of a transmission medium. An input **209** allows a user to interface with the system. Input can be done through the use of a keyboard, a mouse, buttons, dials, or any other input mechanism. An output **211** allows the system to provide output to the user. Output can be provided through a monitor, display screen, LEDs, printer or any other output mechanism. Input and/or output can also be performed externally through a network interface **213**.

Network interface **213** allows the system to interface with a network to which it is connected. The components shown in FIG. 2 can be found in many network devices and computer systems. However, components can be added, deleted and combined so FIG. 2 is for illustration purposes.

Additionally, these components can also be present on subsystems (e.g., line cards) in network devices and computer systems.

Network devices typically incorporate multiple slots for inserting various line cards. FIG. 3 shows an example of a line card that can be present in a network device. Line card **301** includes a number of ports that can accept transceiver modules **303**. As described above, a transceiver module can be a SFP module for optical connections with an LC connector such as transceiver module **304**. Additionally, a transceiver module can include an RJ45 module for electrical connections such as transceiver module **305**. For simplicity, an SFP module that accepts RJ45 connections is called a copper SFP as opposed to the more conventional optical SFP.

PHY **[305] 306** is an integrated circuit that is utilized to interface between transceiver modules **303** and a processor (or microprocessor) **307** on the line card. The processor could also be located in the network device.

In some embodiments, [an] a field programmable gate array (FPGA) **309** is utilized to monitor registers of PHY **[305] 306**. FPGA **309** can store appropriate values in its own registers. Processor **307** then polls the values in the registers of FPGA **309**. For simplicity, other components that may be present on the line card are not shown.

Although the signals PHY **[305] 306** receives from the transceiver modules are electrical signals, the format and encoding can be different, for example depending on the physical (optical or electrical) media that carried the signals to the transceiver module. Upon resetting a port in response to a change in connection type of the transceiver module, embodiments of the invention switch protocols, such as from NRZI for optical connections and 3-Level MLT3 for electrical connections (or vice versa). This is important because the wave forms that drive the optical and magnetic (in the case of electrical signals) components are different. An exemplary PHY is BCM5228 that is available from Broadcom Corporation, Irvine, Calif.

For a number of reasons including cost savings, PHY **[305] 306** may be manufactured to process signals from electrical and optical transceivers. For example, the PHY can detect at 30 powerup the type of transmission connection (e.g., optical or electrical) that is at each port. The PHY then configures the port for the appropriate connection. For example, a signal on a Signal Detect (SD) pin of the PHY can indicate whether the connection is optical or electrical.

With embodiments of the invention, the PHY is monitored to determine the connection at each of the ports. If the configuration of the port does not match the connection at the port, the PHY is instructed to reset the port so that the port has the appropriate configuration.

FIG. 4 shows a flowchart of a process of selecting optical or electrical transmissions on a port of a line card in a network device. As with all the flowcharts shown herein, steps can be added, deleted, combined, and reordered without departing from the spirit and scope of the invention.

At a step **601**, the integrated circuit (or PHY) is monitored to determine whether a port has a transmission connection that is different than configured. If it determined at a step **603** that the port has a transmission connection that is different than configured, the integrated circuit is instructed to reset the port to match the transmission connection at a step **605**.

The PHY selects the appropriate protocol for use with the transmission connection. For example, the PHY may be utilizing the NRZI protocol for an optical connection that is specified by the optical transceiver module at the port. If the transceiver module at the port is replaced with an electrical

5

transceiver module, the port would be reset and the 3-Level MLT3 protocol for the electrical connection that is specified by the electrical transceiver module. These protocols are exemplary and other protocols may be utilized with the invention.

In this manner, a line card can be designed that supports both optical and electrical transceiver modules (e.g., optical and copper SFPs). Additionally, since SFPs are designed to be swappable, the number of each different type of transceiver module can be varied to fit the application (i.e., instead of being hardwired). This flexibility can be achieved with zero or minimal additional circuitry, which reduces costs. Other savings are that expensive conversion ASICs and SGMII-compatible ASICs may not be necessary.

With some PHY (e.g., BCM5228 mentioned above), the PHY stores the signal on the SD pin for each port in a register. Additionally, the PHY has a command that instructs the PHY to reset a port (or ports) specified by another register. FIG. 5 shows a flowchart of another process of selecting optical or electrical transmissions on a port of a line card in a network device that utilizes this or a similarly functioning PHY.

At a step 701, a register is monitored to determine whether a port has a transmission connection that is different than configured. For example, if on powerup, the PHY detected through the SD signal that the port had an optical transmission connection, the port would be configured for optical transmissions. Thus, the transceiver module would be an optical SFP.

If later in time, the transmission connection changes, such as the optical SFP is swapped to a copper SFP, the corresponding SD signal would change. This change would be reflected in the register (e.g., an internal pulldown register) of the PHY.

A processor monitors the register of the PHY to detect these changes. As described above, in alternative embodiments, the PHY may be monitored by an FPGA, which is in turn monitored by the processor. However it is implemented, at a step 703, it determined that the port has a transmission connection that is different than configured. For example, an optical SFP has been swapped for a copper SFP, or vice versa.

At a step 705, a register is modified in the PHY to specify the port that has a transmission connection that is different than configured. The PHY is then instructed to reset the port to match the transmission connection at a step 707. For example, the command can instruct the PHY to reset any ports specified in the register that was modified in step 705. As described above, resetting a port can change the protocol that is utilized with the signals from the transceiver module.

Now that exemplary processes have been described, it may be beneficial to show embodiments of copper and optical SFPs that can be utilized with the invention. FIG. 6 illustrates an embodiment of circuitry and components in a copper SFP.

A PHY 801 includes pins for signal detection (SD), transmit detection (TD) and receive detection (RD). Typically, PHY 801 includes other pins which have been omitted for simplicity.

In order to support 10BASE-T and 100BASE-T, three-level MLT3 are utilized to drive the magnetics 803 in RJ45 connector 805 at the end of the transceiver module. As shown, SD pins 807 for the port are left floating, thus indicating an electrical connection at the port to the PHY.

The copper SFP shown in FIG. 6 can have minimal complexity and cost, yet allow support for electrical con-

6

nections from optical ports. In some embodiments, an active level shifting circuit may be utilized.

FIG. 7 illustrates an embodiment of circuitry and components in an optical SFP for use with the invention. A PHY 851 is connected to a fiber transceiver 853, which is housed in the transceiver module. As shown, the SD pins are routed from the PHY to the fiber transceiver in the optical SFP. This SD signal is utilized by PHY 851 to detect optical connections at powerup. With embodiments of the invention, the status of the port is monitored to configure ports to the appropriate transmission connection during operation.

While the above is a complete description of preferred embodiments of the invention, various alternatives, modifications, and equivalents can be used. It should be evident that the invention is equally applicable by making appropriate modifications to the embodiments described above. For example, although the invention has been described in relation to specific embodiments, the invention can be advantageously applied to other embodiments. Therefore, the above description should not be taken as limiting the scope of the invention as defined by the metes and bounds of the appended claims along with their full scope of equivalents

The invention claimed is:

1. A method of selecting optical or electrical transmissions on a port of a line card in a network device, the line card including an integrated circuit that supports optical and electrical transmissions, comprising:

*at powerup of the line card of the network device, configuring the port for a first transceiver module of a first transmission connection type connected to the line card;*

*after powerup of the line card of the network device, detecting that the first transceiver module has been swapped for a second transceiver module of a second transmission connection type;*

*receiving on the port signals having a format and encoding that is different depending on a whether a physical media used for a transmission connection to the port is optical or electrical;*

*setting a value of a register of the integrated circuit to correspond to whether a signal detect (SD) pin for the port is left floating which indicates that the transmission connection to the port is electrical;*

*monitoring the register of the integrated circuit to determine whether, due to the swap from the first transceiver module to the second transceiver module, the port has [a] the transmission connection to a transceiver module that is different than the port is configured and resetting the port when a value in the register has changed, wherein the port comprises a single transmission connection to the transceiver module which is configured for either optical or electrical transmission;*

*determining that the port has the second transmission connection type that is different than the port is configured; and*

*instructing the integrated circuit to reset the port to the transmission connection at the port to match the second transmission connection type.*

[2. The method of claim 1, wherein a signal detect (SD) signal on a pin on the port indicates whether the transmission connection is optical or electrical.]

3. The method of claim [2] 1, wherein the integrated circuit stores in [a] the register the values of the SD signal for each of the ports of the line card.

7

4. The method of claim 3, wherein the monitoring the integrated circuit comprises monitoring the register to detect changes in the register.

5. The method of claim 1, wherein the instructing the integrated circuit comprises sending an instruction to the integrated circuit to reset the port as is specified in [a] the register.

6. The method of claim 5, further comprising modifying the register to specify the port.

7. The method of claim 1, wherein the integrated circuit is designed to configure the transmission connection of each port of the line card at powerup.

8. The method of claim 1, wherein resetting the port changes a protocol utilized with signals from the transmission connection.

9. The method of claim 8, wherein the protocol is NRZI for optical or 3-Level MLT3 for electrical.

10. A computer program product for selecting optical or electrical transmissions on a port of a line card in a network device, the line card including an integrated circuit that supports optical and electrical transmissions, comprising:

*computer code that configures and specializes a processor to, at powerup of the line card of the network device, cause the integrated circuit to configure the port for a first transceiver module of a first transmission connection type connected to the line card;*

*computer code that configures and specializes the processor to, after powerup of the line card of the network device, detect that the first transceiver module has been swapped for a second transceiver module of a second transmission connection type;*

*computer code that configures and specializes the processor to cause the integrated circuit to receive on the port signals having a format and encoding that is different depending on a whether a physical media used for a transmission connection to the port is optical or electrical;*

*computer code that configures and specializes the processor to set a value of a register of the integrated circuit to correspond to whether a signal detect (SD) pin for the port is left floating which indicates that the transmission connection to the port is electrical;*

*computer code that configures [a] and specializes the processor to monitor the register of the integrated circuit to determine, due to the swap from the first transceiver module to the second transceiver module, whether the port has [a] the transmission connection to a transceiver module that is different than the port is configured and resetting the port when a value in the register has changed, wherein the port comprises a single transmission connection to the transceiver module which is configured for either optical or electrical transmission;*

*computer code that [determines] configures and specializes the processor to determine that the port has the second transmission connection type that is different than the port is configured;*

*computer code that configures [a] and specializes the processor to instruct the integrated circuit to reset the port to the transmission connection at the port to match the second transmission connection type; and*

*a computer readable medium that stores the computer codes.*

11. An apparatus that selects optical or electrical transmissions on a port of a line card in a network device, the line card including an integrated circuit that supports optical and electrical transmissions, comprising:

8

*means for, at powerup of the line card of the network device, configuring the port for a first transceiver module of a first transmission connection type connected to the line card;*

*means for, after powerup of the line card of the network device, detecting that the first transceiver module has been swapped for a second transceiver module of a second transmission connection type;*

*means for receiving on the port signals having a format and encoding that is different depending on a whether a physical media used for a transmission connection to the port is optical or electrical;*

*means for setting a value of a register of the integrated circuit to correspond to whether a signal detect (SD) pin for the port is left floating which indicates that the transmission connection to the port is electrical;*

*means for monitoring the register of the integrated circuit to determine whether, due to the swap from the first transceiver module to the second transceiver module, the port has [a] the transmission connection to a transceiver module that is different than the port is configured and resetting the port when a value in the register has changed, wherein the port comprises a single transmission connection to the transceiver module which is configured for either optical or electrical transmission;*

*means for determining that the port has second transmission connection type that is different than the port is configured; and*

*means for instructing the integrated circuit to reset the port to the transmission connection at the port to match the second transmission connection type.*

12. A line card for a network device that selects optical or electrical transmissions on a port of a line card in a network device, the line card including an integrated circuit that supports optical and electrical transmissions, comprising:

*computer code that configures and specializes a processor to, at powerup of the line card of the network device, cause the integrated circuit to configure the port for a first transceiver module of a first transmission connection type connected to the line card;*

*computer code that configures and specializes the processor to, after powerup of the line card of the network device, detect that the first transceiver module has been swapped for a second transceiver module of a second transmission connection type;*

*computer code that configures and specializes the processor to cause the integrated circuit to receive on the port signals having a format and encoding that is different depending on a whether a physical media used for a transmission connection to the port is optical or electrical;*

*computer code that configures and specializes the processor to set a value of a register of the integrated circuit to correspond to whether a signal detect (SD) pin for the port is left floating which indicates that the transmission connection to the port is electrical;*

*computer code that configures [a] and specializes the processor to monitor the register of the integrated circuit to determine, due to the swap from the first transceiver module to the second transceiver module, whether the port has [a] the transmission connection to a transceiver module that is different than the port is configured and resetting the port when a value in the register has changed, wherein the port comprises a*

single transmission connection to the transceiver module which is configured for either optical or electrical transmission;

computer code that [determines] *configures and specializes the processor to determine* that the port has the *second transmission connection type* that is different than the port is configured;

computer code that configures [a] *and specializes the processor to instruct the integrated circuit to reset the port to the transmission connection at the port to match the second transmission connection type*; and  
a computer readable medium that stores the computer codes.

**13.** A method of selecting optical or electrical transmissions on a port of a line card in a network device, the line card including an integrated circuit that supports optical and electrical transmissions, comprising:

*at powerup of the line card of the network device, configuring the port for a first transceiver module of a first transmission connection type connected to the line card*;

*after powerup of the line card of the network device, detecting that the first transceiver module has been swapped for a second transceiver module of a second transmission connection type*;

*receiving on the port signals having a format and encoding that is different depending on a whether a physical media used for a transmission connection to the port is optical or electrical*;

monitoring a first register of the integrated circuit to determine whether, *due to the swap from the first transceiver module to the second transceiver module, the port has [a] the transmission connection to a transceiver module that is different than the port is configured and resetting the port when a value in the register has changed*, wherein the port comprises a single transmission connection to the transceiver module which is configured for either optical or electrical transmission;

determining that the port has the *second transmission connection type* that is different than the port is configured;

modifying a second register of the integrated circuit to specify the port that has the transmission connection *is changed to the second transmission connection type* that is different than *the first transmission connection type for which the port is configured, wherein modifying comprises setting a value of the second register to correspond to whether a signal detect (SD) pin for the port is left floating which indicates that the transmission connection for the port is electrical*; and

instructing the integrated circuit to reset the port specified by the second register to the transmission connection at the port *to match the second transmission connection type*.

**14.** The method of claim **13**, wherein a signal detect (SD) signal on a pin on the port indicates whether the transmission connection is optical or electrical.

**15.** The method of claim **14**, wherein the integrated circuit stores in the first register the values of the SD signal for each of the ports of the line card.

**16.** The method of claim **15**, wherein the monitoring the integrated circuit comprises monitoring the first register to detect changes in the first register.

**17.** The method of claim **13**, wherein the integrated circuit is designed to configure the transmission connection of each port of the line card at powerup.

**18.** The method of claim **13**, wherein resetting the port changes a protocol utilized with signals from the transmission connection.

**19.** The method of claim **18**, wherein the protocol is NRZI for optical or 3-Level MLT3 for electrical.

**20.** A computer program product for selecting optical or electrical transmissions on a port of a line card in a network device, the line card including an integrated circuit that supports optical and electrical transmissions, comprising:

*computer code that configures and specializes a processor to, at powerup of the line card of the network device, cause the integrated circuit to configure the port for a first transceiver module of a first transmission connection type connected to the line card*;

*computer code that configures and specializes the processor to, after powerup of the line card of the network device, detect that the first transceiver module has been swapped for a second transceiver module of a second transmission connection type*;

*computer code that configures and specializes the processor to cause the integrated circuit to receive on the port signals having a format and encoding that is different depending on a whether a physical media used for a transmission connection to the port is optical or electrical*;

computer code that configures [a] *and specializes the processor to monitor a first register of the integrated circuit to determine whether, due to the swap from the first transceiver module to the second transceiver module, the port has [a] the transmission connection to a transceiver module that is different than the port is configured and resetting the port when a value in the first register has changed*, wherein the port comprises a single transmission connection to the transceiver module which is configured for either optical or electrical transmission;

computer code that [determines] *configures and specializes the processor to determine* that the port has the *second transmission connection type* that is different than the port is configured;

computer code that configures [a] *and specializes the processor to modify a second register of the integrated circuit to specify the port that has the transmission connection is changed to the second transmission connection type that is different than the first transmission connection type for which the port is configured by setting a value of the second register to correspond to whether a signal detect (SD) pin for the port is left floating which indicates that the transmission connection for the port is electrical*;

computer code that configures [a] *and specializes the processor to instruct the integrated circuit to reset the port specified by the second register to the transmission connection at the port to match the second transmission connection type*; and

a computer readable medium that stores the computer codes.

**21.** An apparatus that selects optical or electrical transmissions on a port of a line card in a network device, the line card including an integrated circuit that supports optical and electrical transmissions, comprising:

*means for, at powerup of the line card of the network device, configuring the port for a first transceiver module of a first transmission connection type connected to the line card*;

*means for, after powerup of the line card of the network device, detecting that the first transceiver module has*

11

*been swapped for a second transceiver module of a second transmission connection type;*

*means for receiving on the port signals having a format and encoding that is different depending on a whether a physical media used for a transmission connection to the port is optical or electrical;*

*means for monitoring a first register of the integrated circuit to determine whether, due to the swap from the first transceiver module to the second transceiver module, the port has [a] the transmission connection to a transceiver module that is different than the port is configured and resetting the port when a value in the register has changed, wherein the port comprises a single transmission connection to the transceiver module which is configured for either optical or electrical transmission;*

*means for determining that the port has the second transmission connection type that is different than the port is configured;*

*means for modifying a second register of the integrated circuit to specify the port that has the transmission connection is changed to the second transmission connection type that is different than the first transmission connection type for which the port is configured, wherein the means for modifying the second register comprises means for setting a value of the second register to correspond to whether a signal detect (SD) pin for the port is left floating which indicates that the transmission connection for the port is electrical; and*

*means for instructing the integrated circuit to reset the port specified by the second register to the transmission connection at the port to match the second transmission connection type.*

**22.** A line card for a network device that selects optical or electrical transmissions on a port of a line card in a network device, the line card including an integrated circuit that supports optical and electrical transmissions, comprising:

*computer code that configures and specializes a processor to, at powerup of the line card of the network device, cause the integrated circuit to configure the port for a first transceiver module of a first transmission connection type connected to the line card;*

*computer code that configures and specializes the processor to, after powerup of the line card of the network device, detect that the first transceiver module has been swapped for a second transceiver module of a second transmission connection type;*

*computer code that configures and specializes the processor to cause the integrated circuit to receive on the port signals having a format and encoding that is different depending on a whether a physical media used for a transmission connection to the port is optical or electrical;*

*computer code that configures [a] and specializes the processor to monitor a first register of the integrated circuit to determine whether, due to the swap from the first transceiver module to the second transceiver module, the port has [a] the transmission connection to a transceiver module that is different than the port is configured and resetting the port when a value in the first register has changed, wherein the port comprises a single transmission connection to the transceiver module which is configured for either optical or electrical transmission;*

*computer code that [determines] configures and specializes a processor to determine that the port has the*

12

*second transmission connection type that is different than the port is configured;*

*computer code that configures and specializes the processor to modify a second register of the integrated circuit to specify the port that has the transmission connection is changed to the second transmission connection type that is different than the first transmission connection type for which the port is configured by setting a value of the second register to correspond to whether a signal detect (SD) pin for the port is left floating which indicates that the transmission connection for the port is electrical;*

*computer code that configures and specializes the processor to instruct the integrated circuit to reset the port specified by the second register to the transmission connection at the port to match the second transmission connection type; and*

*a computer readable medium that stores the computer codes.*

*23. The method of claim 1, wherein the transceiver module is a small form-factor pluggable (SFP) module.*

*24. The method of claim 23, wherein the integrated circuit stores in the register the values of the SD pin for each of the ports of the line card.*

*25. The method of claim 24, wherein the monitoring the integrated circuit comprises monitoring the register to detect changes in the register.*

*26. The method of claim 23, wherein the instructing the integrated circuit comprises sending an instruction to the integrated circuit to reset the port as is specified in the register.*

*27. The method of claim 26, further comprising modifying the register to specify the port.*

*28. The method of claim 23, wherein the integrated circuit is designed to configure the transmission connection of each port of the line card at powerup.*

*29. The method of claim 23, wherein resetting the port changes a protocol utilized with signals from the transmission connection.*

*30. The method of claim 29, wherein the protocol is NRZI for optical or 3-Level MLT3 for electrical.*

*31. The computer program product of claim 10, wherein the transceiver module is a small form-factor pluggable (SFP) module.*

*32. The apparatus of claim 11, wherein the transceiver module is a small form-factor pluggable (SFP) module.*

*33. The line card of claim 12, wherein the transceiver module is a small form-factor pluggable (SFP) module.*

*34. The method of claim 13, wherein the transceiver module is a small form-factor pluggable (SFP) module.*

*35. The method of claim 34, wherein the integrated circuit stores in the first register the values of the SD pin for each of the ports of the line card.*

*36. The method of claim 35, wherein the monitoring the integrated circuit comprises monitoring the first register to detect changes in the first register.*

*37. The method of claim 34, wherein the integrated circuit is designed to configure the transmission connection of each port of the line card at powerup.*

*38. The method of claim 34, wherein resetting the port changes a protocol utilized with signals from the transmission connection.*

*39. The method of claim 38, wherein the protocol is NRZI for optical or 3-Level MLT3 for electrical.*

*40. The computer program product of claim 20, wherein the transceiver module is a small form-factor pluggable (SFP) module.*

41. *The apparatus of claim 21, wherein the transceiver module is a small form-factor pluggable (SFP) module.*

42. *The line card of claim 22, wherein the transceiver module is a small form-factor pluggable (SFP) module.*

\* \* \* \* \*