



US00D701314S

(12) **United States Design Patent**  
**Davis et al.**

(10) **Patent No.:** **US D701,314 S**  
(45) **Date of Patent:** **\*\* Mar. 18, 2014**

- (54) **ANTERIOR ANTENNA CASING FOR A MAGNETIC RESONANCE IMAGING RECEIVE COIL**
- (71) Applicant: **Mentis LLC**, Richardson, TX (US)
- (72) Inventors: **Albert Michael Davis**, Richardson, TX (US); **James Allen Higgins**, Plano, TX (US)
- (73) Assignee: **Mentis LLC**, Dallas, TX (US)
- (\*\*) Term: **14 Years**
- (21) Appl. No.: **29/458,237**
- (22) Filed: **Jun. 18, 2013**

D320,660	S	10/1991	Foreman et al.	
5,150,710	A	9/1992	Hall et al.	
5,361,765	A	11/1994	Herlihy et al.	
5,363,845	A	11/1994	Chowdhury et al.	
5,386,191	A	1/1995	McCarten et al.	
D380,832	S	7/1997	Isshiki et al.	
D393,068	S	3/1998	Isshiki	
D408,915	S	4/1999	Ogiwara	D24/158
D441,866	S	5/2001	Marchesi	D24/159
6,591,128	B1	7/2003	Wu et al.	
6,644,852	B2	11/2003	Crain et al.	
6,650,926	B1	11/2003	Chan et al.	
6,778,849	B1	8/2004	Ninomiya et al.	600/422
D563,555	S	3/2008	Kasai et al.	D24/158
D563,556	S	3/2008	Baba	D24/158
D591,862	S	5/2009	Taniguchi et al.	D24/158
D592,751	S	5/2009	Ninomiya et al.	D24/158
8,188,740	B2	5/2012	Ninomiya et al.	324/318
D683,024	S	5/2013	Baba	D24/158

\* cited by examiner

**Related U.S. Application Data**

- (62) Division of application No. 29/406,775, filed on Nov. 18, 2011, now Pat. No. Des. 686,324.
- (51) **LOC (10) Cl.** ..... **24-01**
- (52) **U.S. Cl.** ..... **D24/158**  
USPC ..... **D24/158**
- (58) **Field of Classification Search**  
USPC ..... D24/158-161, 185, 186; 378/4, 15, 17, 378/20, 21, 23-27, 62, 68, 146, 195-198, 378/57; 600/410, 421, 422  
See application file for complete search history.

**References Cited**

**U.S. PATENT DOCUMENTS**

4,634,980	A	*	1/1987	Misic et al.	.....	D24/158
4,763,345	A		8/1988	Barbaric et al.		
D313,073	S	*	12/1990	Kaufman et al.	.....	D24/158

*Primary Examiner* — Anhdao Doan

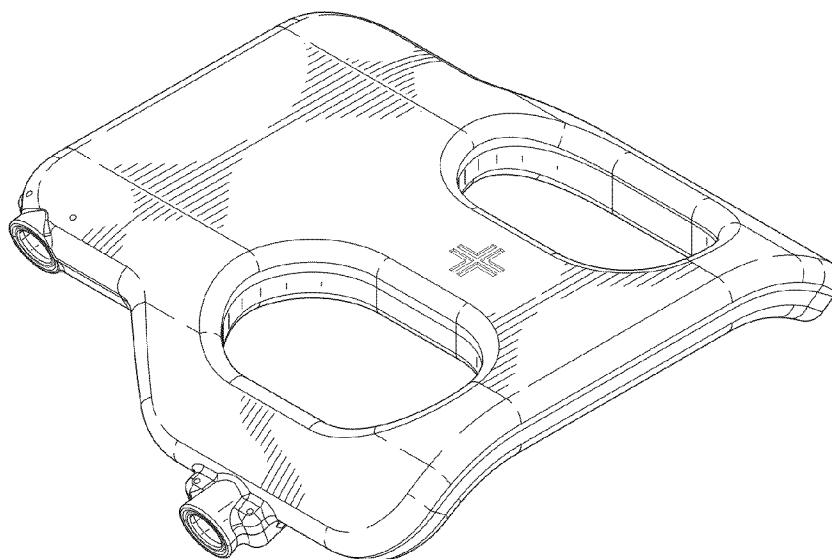
(57) **CLAIM**

We claim the ornamental design for an anterior antenna casing for a magnetic resonance imaging receive coil, as shown and described.

**DESCRIPTION**

FIG. 1 is a back perspective view of an anterior antenna casing for a magnetic resonance imaging receive coil;  
FIG. 2 is a left side view thereof;  
FIG. 3 is a right side view thereof;  
FIG. 4 is a front view thereof;  
FIG. 5 is a back view thereof;  
FIG. 6 is a top view thereof; and,  
FIG. 7 is a bottom view thereof.

**1 Claim, 4 Drawing Sheets**



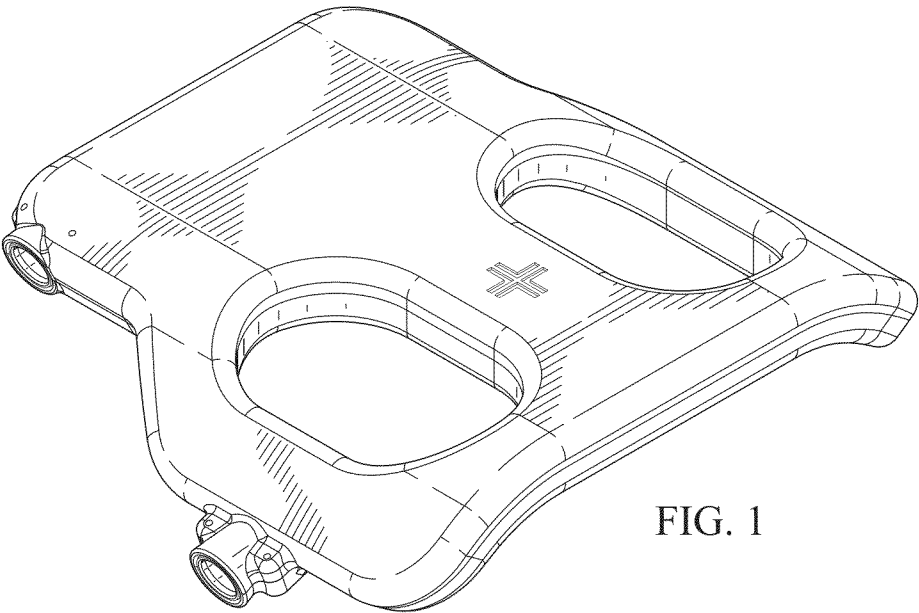


FIG. 1

FIG. 2

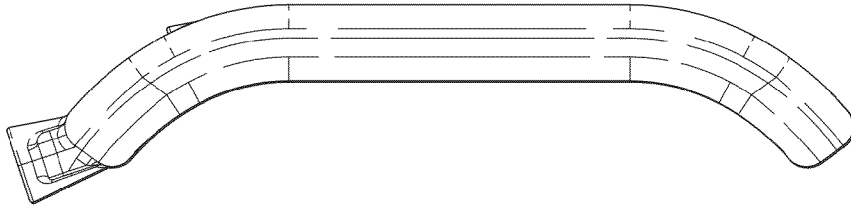


FIG. 3

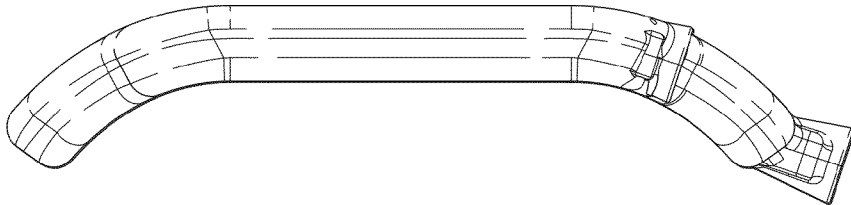


FIG. 4

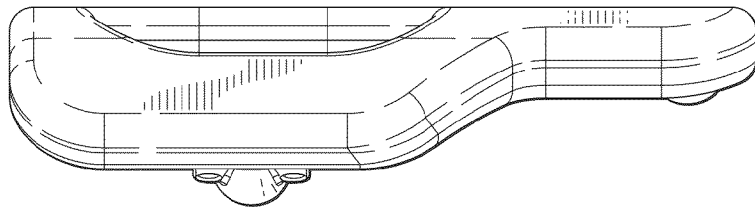
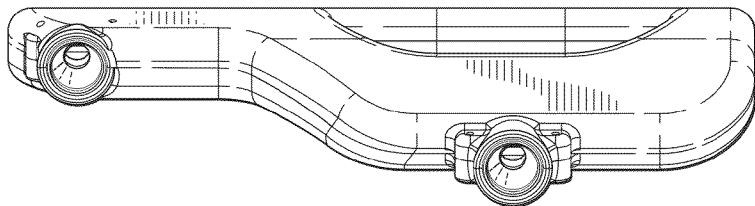


FIG. 5



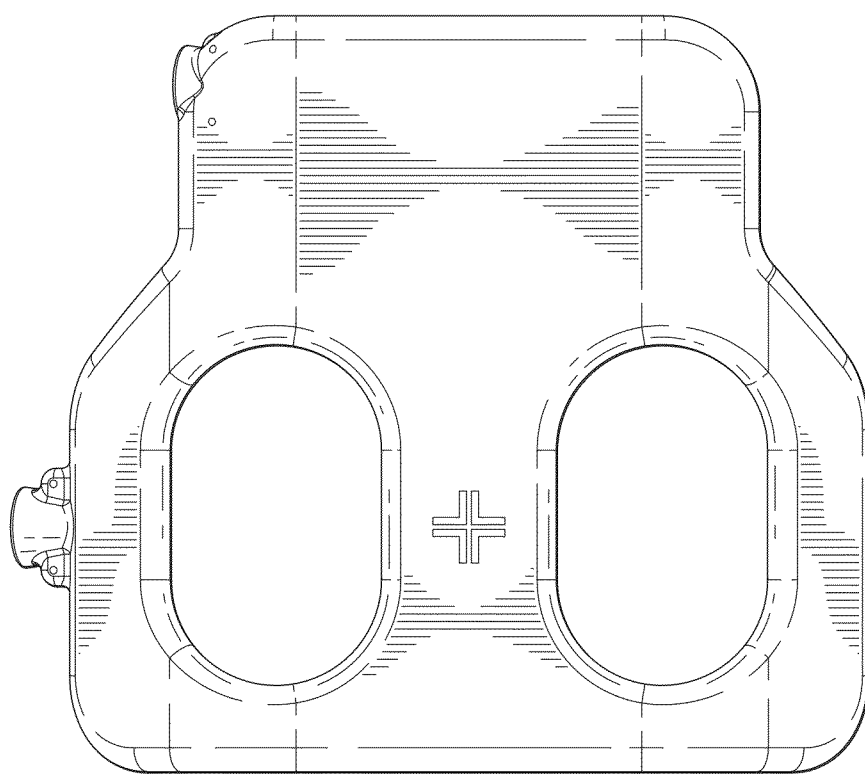


FIG. 6

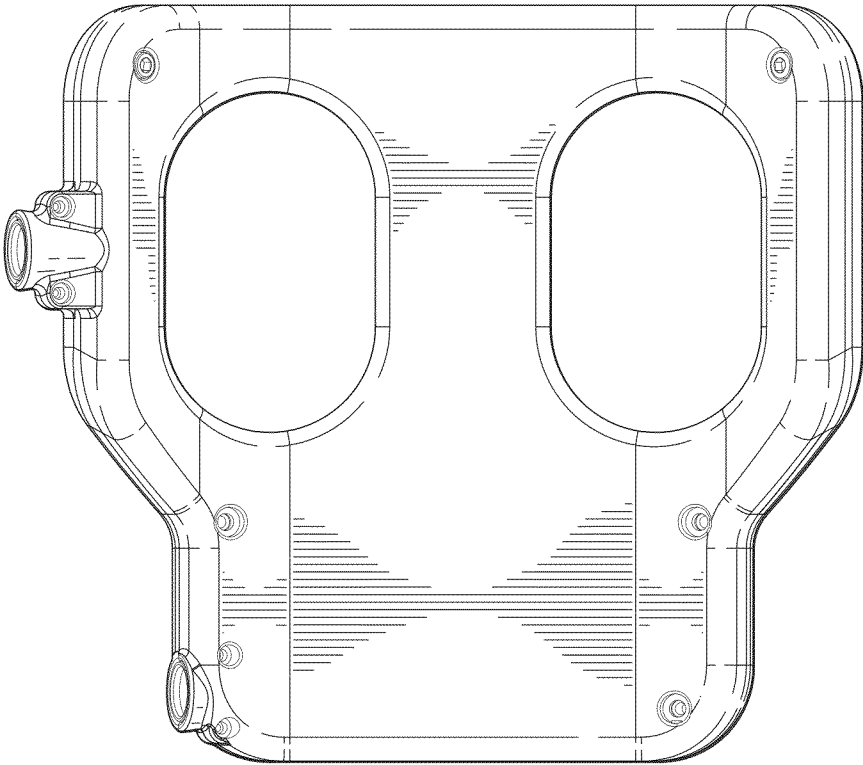


FIG. 7