

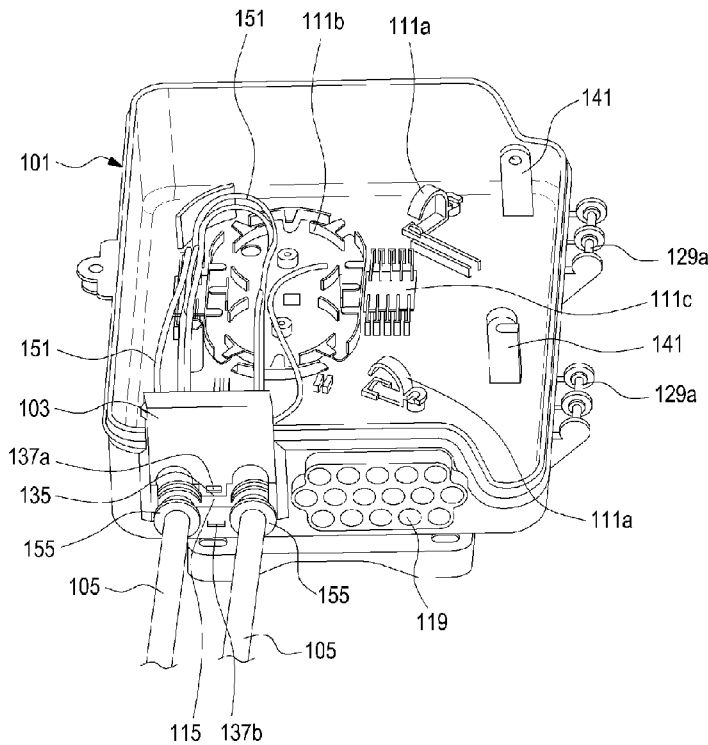


- (51) International Patent Classification: **G02B 6/46** (2006.01)
- (21) International Application Number: PCT/KR2012/001641
- (22) International Filing Date: 7 March 2012 (07.03.2012)
- (25) Filing Language: English
- (26) Publication Language: English
- (30) Priority Data: 10-2011-0021284 10 March 2011 (10.03.2011) KR
- (71) Applicants (for all designated States except US): **SE-HF-KOREA CO., LTD.** [KR/KR]; 2nd Samsung Electronics Co., 94-1, Imsu-dong, Gumi-si, Gyeongsangbuk-do 730-722 (KR). **E-GUN TECHNOLOGY CO., LTD.** [KR/KR]; #413, Hyundai I Valley, Galmachi-ro 244, 31, Jungwon-gu, Seongnam-si, Gyeonggi-do 462-714 (KR).
- (72) Inventors; and
- (75) Inventors/Applicants (for US only): **KWON, Oh-Joon** [KR/KR]; #310-1502, Mokdong 3-danji APT., Mok 5-dong, Yangcheon-gu, Seoul 158-753 (KR). **HUH, Joon** [KR/KR]; #101-402, Sambu APT., 99-13, Samseong 1-dong, Gangnam-gu, Seoul 135-091 (KR). **JANG, Gyeong-Ho** [KR/KR]; #1-514, Yuho N Plusville, Janghyeon-dong, Siheung-si, Gyeonggi-do 429-420 (KR). **AHN, Pyung-Rae** [KR/KR]; #118-1301, Hyundai I-Park APT., 612, Deokso-ri, Wabu-eup, Namyangju-si, Gyeonggi-do 472-919 (KR).
- (74) Agent: **LEE, Keon-Joo**; Mihwa Bldg. 110-2, Myongryun-dong 4-ga, Chongro-gu, Seoul 110-524 (KR).
- (81) Designated States (unless otherwise indicated, for every kind of national protection available): AE, AG, AL, AM, AO, AT, AU, AZ, BA, BB, BG, BH, BR, BW, BY, BZ, CA, CH, CL, CN, CO, CR, CU, CZ, DE, DK, DM, DO, DZ, EC, EE, EG, ES, FI, GB, GD, GE, GH, GM, GT, HN, HR, HU, ID, IL, IN, IS, JP, KE, KG, KM, KN, KP, KZ, LA, LC, LK, LR, LS, LT, LU, LY, MA, MD, ME, MG,

[Continued on next page]

(54) Title: OPTICAL CABLE TERMINAL BOX

[Fig. 3]



(57) Abstract: An optical cable terminal box for distributing an optical cable with a plurality of cores to subscriber lines is provided. The optical cable terminal box may include a housing having a slot, the slot having a first receiving groove formed at an edge of the slot. The optical cable terminal box may also include a cover member coupled to the housing to close the slot, and the cover member may have a second receiving groove formed at an edge of the cover member. When the cover member closes the slot, the first and second grooves may be coupled to each other to form a wiring hole that is configured to pass an optical cable therethrough.

MK, MN, MW, MX, MY, MZ, NA, NG, NI, NO, NZ, OM, PE, PG, PH, PL, PT, QA, RO, RS, RU, RW, SC, SD, SE, SG, SK, SL, SM, ST, SV, SY, TH, TJ, TM, TN, TR, TT, TZ, UA, UG, US, UZ, VC, VN, ZA, ZM, ZW.

SE, SI, SK, SM, TR), OAPI (BF, BJ, CF, CG, CI, CM, GA, GN, GQ, GW, ML, MR, NE, SN, TD, TG).

Published:

- with international search report (*Art. 21(3)*)
- before the expiration of the time limit for amending the claims and to be republished in the event of receipt of amendments (*Rule 48.2(h)*)

(84) Designated States (*unless otherwise indicated, for every kind of regional protection available*): ARIPO (BW, GH, GM, KE, LR, LS, MW, MZ, NA, RW, SD, SL, SZ, TZ, UG, ZM, ZW), Eurasian (AM, AZ, BY, KG, KZ, MD, RU, TJ, TM), European (AL, AT, BE, BG, CH, CY, CZ, DE, DK, EE, ES, FI, FR, GB, GR, HR, HU, IE, IS, IT, LT, LU, LV, MC, MK, MT, NL, NO, PL, PT, RO, RS,

(88) Date of publication of the international search report:

15 November 2012

A. CLASSIFICATION OF SUBJECT MATTER**G02B 6/46(2006.01)i**

According to International Patent Classification (IPC) or to both national classification and IPC

B. FIELDS SEARCHED

Minimum documentation searched (classification system followed by classification symbols)

G02B 6/46; G02B 6/44

Documentation searched other than minimum documentation to the extent that such documents are included in the fields searched

Korean utility models and applications for utility models

Japanese utility models and applications for utility models

Electronic data base consulted during the international search (name of data base and, where practicable, search terms used)

eKOMPASS(KIPO internal) & Keywords: fiber distribution, 분배함

C. DOCUMENTS CONSIDERED TO BE RELEVANT

Category*	Citation of document, with indication, where appropriate, of the relevant passages	Relevant to claim No.
A	KR 10-2010-0027636 A (SK BROADBAND CO., LTD. et al.) 11 March 2010 See abstract, figures 2-3, claim 1	1-15
A	WO 2010-036549 A1 (3M INNOVATIVE PROPERTIES COMPANY et al.) 01 April 2010 See abstract, figures 6A-6B, claim 1	1-15
A	KR 20-0423984 Y1 (NOB COM CO.,LTD.) 14 August 2006 See abstract, figure 1, claim 1	1-15

 Further documents are listed in the continuation of Box C. See patent family annex.

* Special categories of cited documents:

"A" document defining the general state of the art which is not considered to be of particular relevance

"E" earlier application or patent but published on or after the international filing date

"L" document which may throw doubts on priority claim(s) or which is cited to establish the publication date of citation or other special reason (as specified)

"O" document referring to an oral disclosure, use, exhibition or other means

"P" document published prior to the international filing date but later than the priority date claimed

"T" later document published after the international filing date or priority date and not in conflict with the application but cited to understand the principle or theory underlying the invention

"X" document of particular relevance; the claimed invention cannot be considered novel or cannot be considered to involve an inventive step when the document is taken alone

"Y" document of particular relevance; the claimed invention cannot be considered to involve an inventive step when the document is combined with one or more other such documents, such combination being obvious to a person skilled in the art

"&" document member of the same patent family

Date of the actual completion of the international search

19 SEPTEMBER 2012 (19.09.2012)

Date of mailing of the international search report

20 SEPTEMBER 2012 (20.09.2012)

Name and mailing address of the ISA/KR

Korean Intellectual Property Office
189 Cheongsa-ro, Seo-gu, Daejeon Metropolitan
City, 302-701, Republic of Korea

Facsimile No. 82-42-472-7140

Authorized officer

KANG Sung Chul

Telephone No. 82-42-481-5666



INTERNATIONAL SEARCH REPORT

Information on patent family members

International application No.

PCT/KR2012/001641

Patent document cited in search report	Publication date	Patent family member(s)	Publication date
KR 10-2010-0027636 A	11.03.2010	None	
WO 2010-036549 A1	01.04.2010	CN 102165352 A EP 2331996 A1 JP 2012-503785 A MX 2011002580 A US 2011-0164854 A1	24.08.2011 15.06.2011 09.02.2012 26.04.2011 07.07.2011
KR 20-0423984 Y1	14.08.2006	None	