

(19) World Intellectual Property
Organization
International Bureau



(43) International Publication Date
18 November 2004 (18.11.2004)

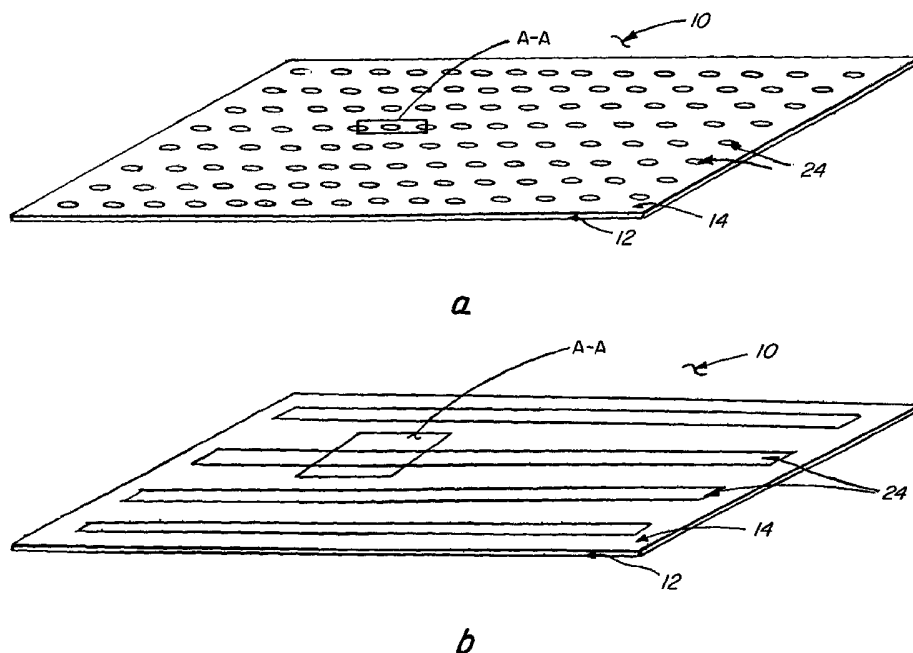
PCT

(10) International Publication Number
WO 2004/100208 A3

- (51) International Patent Classification⁷: **H01J 49/04**
- (21) International Application Number:
PCT/US2004/013709
- (22) International Filing Date: 30 April 2004 (30.04.2004)
- (25) Filing Language: English
- (26) Publication Language: English
- (30) Priority Data:
10/426,599 30 April 2003 (30.04.2003) US
- (71) Applicant (for all designated States except US):
PERKINELMER LIFE AND ANALYTICAL SCIENCES [US/US]; 549 Albany Street, Boston, MA 02118 (US).
- (72) Inventor; and
- (75) Inventor/Applicant (for US only): **DICESARE, Joseph, L.** [US/US]; 37 Gallows Hill Road, Redding, CT 06896 (US).
- (74) Agents: **WHITMYER, Wesley, W., Jr.** et al.; St. Onge Steward Johnston & Reens LLC, 986 Bedford Street, Stamford, CT 06905-5619 (US).
- (81) Designated States (unless otherwise indicated, for every kind of national protection available): AE, AG, AL, AM, AT, AU, AZ, BA, BB, BG, BR, BW, BY, BZ, CA, CH, CN, CO, CR, CU, CZ, DE, DK, DM, DZ, EC, EE, EG, ES, FI, GB, GD, GE, GH, GM, HR, HU, ID, IL, IN, IS, JP, KE, KG, KP, KR, KZ, LC, LK, LR, LS, LT, LU, LV, MA, MD, MG, MK, MN, MW, MX, MZ, NA, NI, NO, NZ, OM, PG, PH, PL, PT, RO, RU, SC, SD, SE, SG, SK, SL, SY, TJ, TM, TN, TR, TT, TZ, UA, UG, US, UZ, VC, VN, YU, ZA, ZM, ZW.
- (84) Designated States (unless otherwise indicated, for every kind of regional protection available): ARIPO (BW, GH, GM, KE, LS, MW, MZ, NA, SD, SL, SZ, TZ, UG, ZM, ZW), Eurasian (AM, AZ, BY, KG, KZ, MD, RU, TJ, TM), European (AT, BE, BG, CH, CY, CZ, DE, DK, EE, ES, FI, FR, GB, GR, HU, IE, IT, LU, MC, NL, PL, PT, RO, SE, SI, SK, TR), OAPI (BF, BJ, CF, CG, CI, CM, GA, GN, GQ, GW, ML, MR, NE, SN, TD, TG).
- Published:
— with international search report

[Continued on next page]

(54) Title: SAMPLE PLATE FOR MATRIX-ASSISTED LASER DESORPTION AND IONIZATION MASS SPECTROMETRY



(57) Abstract: A sample plate for mass spectrometric analysis of a specimen is provided comprising a substrate having an electrically conductive surface, a mask applied to the electrically conductive surface. The mask is applied to the substrate with a rough surface to form at least one sample site. The sample site comprises a central portion formed from the electrically conductive surface and a marginal portion formed from the mask where the marginal portion is more hydrophobic than the central portion.

WO 2004/100208 A3



— *before the expiration of the time limit for amending the claims and to be republished in the event of receipt of amendments*

For two-letter codes and other abbreviations, refer to the "Guidance Notes on Codes and Abbreviations" appearing at the beginning of each regular issue of the PCT Gazette.

(88) Date of publication of the international search report:
29 December 2005

INTERNATIONAL SEARCH REPORT

International Application No
PCT/US2004/013709

A. CLASSIFICATION OF SUBJECT MATTER IPC 7 H01J49/04		
According to International Patent Classification (IPC) or to both national classification and IPC		
B. FIELDS SEARCHED Minimum documentation searched (classification system followed by classification symbols) IPC 7 H01J		
Documentation searched other than minimum documentation to the extent that such documents are included in the fields searched		
Electronic data base consulted during the international search (name of data base and, where practical, search terms used) EPO-Internal, WPI Data, PAJ, INSPEC		
C. DOCUMENTS CONSIDERED TO BE RELEVANT		
Category °	Citation of document, with indication, where appropriate, of the relevant passages	Relevant to claim No.
X	WO 99/39829 A (MERCK & CO., INC; GARYANTES, TINA) 12 August 1999 (1999-08-12) page 4, lines 16-27; figures 6A-6B page 7, lines 25-35 page 15, line 35 - page 16, line 22 page 18, lines 3-31 page 22, lines 28-35	1-3, 5-18, 29, 30
A	----- US 5 859 431 A (COTRELL ET AL) 12 January 1999 (1999-01-12) the whole document	1-30
A	----- US 2002/045270 A1 (SCHURENBERG MARTIN ET AL) 18 April 2002 (2002-04-18) the whole document ----- -/---	1-30
<input checked="" type="checkbox"/> Further documents are listed in the continuation of box C. <input checked="" type="checkbox"/> Patent family members are listed in annex.		
° Special categories of cited documents :		
"A" document defining the general state of the art which is not considered to be of particular relevance "E" earlier document but published on or after the international filing date "L" document which may throw doubts on priority claim(s) or which is cited to establish the publication date of another citation or other special reason (as specified) "O" document referring to an oral disclosure, use, exhibition or other means "P" document published prior to the international filing date but later than the priority date claimed	"T" later document published after the international filing date or priority date and not in conflict with the application but cited to understand the principle or theory underlying the invention "X" document of particular relevance; the claimed invention cannot be considered novel or cannot be considered to involve an inventive step when the document is taken alone "Y" document of particular relevance; the claimed invention cannot be considered to involve an inventive step when the document is combined with one or more other such documents, such combination being obvious to a person skilled in the art. "&" document member of the same patent family	
Date of the actual completion of the international search <p style="text-align: center;">27 October 2005</p>	Date of mailing of the international search report <p style="text-align: center;">11/11/2005</p>	
Name and mailing address of the ISA European Patent Office, P.B. 5818 Patentlaan 2 NL - 2280 HV Rijswijk Tel. (+31-70) 340-2040, Tx. 31 651 epo nl, Fax: (+31-70) 340-3016	Authorized officer <p style="text-align: center;">Loiseleur, P</p>	

INTERNATIONAL SEARCH REPORT

International Application No
PCT/US2004/013709

C.(Continuation) DOCUMENTS CONSIDERED TO BE RELEVANT		
Category °	Citation of document, with indication, where appropriate, of the relevant passages	Relevant to claim No.
A	US 6 287 872 B1 (SCHURENBERG MARTIN ET AL) 11 September 2001 (2001-09-11) cited in the application the whole document -----	1-30

INTERNATIONAL SEARCH REPORT

International Application No
PCT/US2004/013709

Patent document cited in search report		Publication date	Patent family member(s)		Publication date
WO 9939829	A	12-08-1999	CA	2318881 A1	12-08-1999
			EP	1060022 A1	20-12-2000
			JP	2002502955 T	29-01-2002
US 5859431	A	12-01-1999	EP	0589990 A1	06-04-1994
			GB	2257295 A	06-01-1993
			WO	9300700 A1	07-01-1993
			JP	6508472 T	22-09-1994
US 2002045270	A1	18-04-2002	DE	10043042 A1	21-03-2002
			GB	2370114 A	19-06-2002
US 6287872	B1	11-09-2001	DE	19754978 A1	01-07-1999
			GB	2332273 A	16-06-1999