

(19) World Intellectual Property Organization
International Bureau



(43) International Publication Date
2 June 2005 (02.06.2005)

PCT

(10) International Publication Number
WO 2005/050625 A3

(51) International Patent Classification:
G06F 15/16 (2006.01) G06F 17/00 (2006.01)

(74) Agent: CANNON, Alan, W.; Law Office of Alan W. Cannon, 834 South Wolfe Road, Sunnyvale, CA 94086 (US).

(21) International Application Number:
PCT/US2004/037608

(81) Designated States (unless otherwise indicated, for every kind of national protection available): AE, AG, AL, AM, AT, AU, AZ, BA, BB, BG, BR, BW, BY, BZ, CA, CH, CN, CO, CR, CU, CZ, DE, DK, DM, DZ, EC, EE, EG, ES, FI, GB, GD, GE, GH, GM, HR, HU, ID, IL, IN, IS, JP, KE, KG, KP, KR, KZ, LC, LK, LR, LS, LT, LU, LV, MA, MD, MG, MK, MN, MW, MX, MZ, NA, NI, NO, NZ, OM, PG, PH, PL, PT, RO, RU, SC, SD, SE, SG, SK, SL, SY, TJ, TM, TN, TR, TT, TZ, UA, UG, US, UZ, VC, VN, YU, ZA, ZM, ZW.

(22) International Filing Date:
13 November 2004 (13.11.2004)

(25) Filing Language: English

(26) Publication Language: English

(30) Priority Data:
60/520,481 14 November 2003 (14.11.2003) US

(71) Applicant (for all designated States except US): SENVID, INC. [US/US]; 2445 Faber Place, Suite 200, Palo Alto, CA 94303-3347 (US).

(84) Designated States (unless otherwise indicated, for every kind of regional protection available): ARIPO (BW, GH, GM, KE, LS, MW, MZ, NA, SD, SL, SZ, TZ, UG, ZM, ZW), Eurasian (AM, AZ, BY, KG, KZ, MD, RU, TJ, TM), European (AT, BE, BG, CH, CY, CZ, DE, DK, EE, ES, FI, FR, GB, GR, HU, IE, IS, IT, LU, MC, NL, PL, PT, RO, SE, SI, SK, TR), OAPI (BF, BJ, CF, CG, CI, CM, GA, GN, GQ, GW, ML, MR, NE, SN, TD, TG).

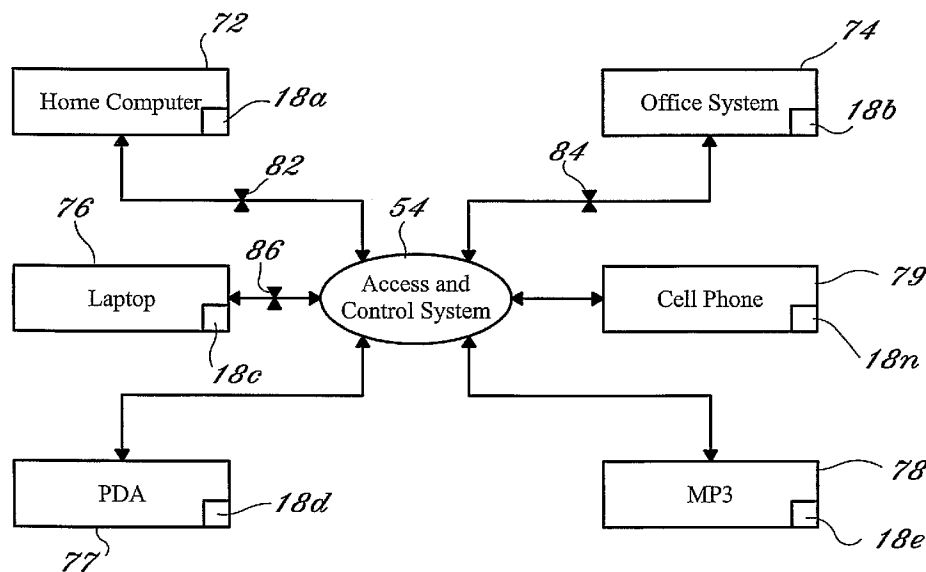
(72) Inventors; and

(75) Inventors/Applicants (for US only): HESSELINK, Lambertus [NL/US]; 101 Green Oaks Drive, Atherton, CA 94027 (US). RIZAL, Dharmarus [ID/US]; 100 N. Whisman Road #821, Mountain View, CA 94043 (US). BJORNSON, Eric, S. [US/US]; 550 Dawn Drive, Sunnyvale, CA 94087 (US).

Published:
— with international search report

[Continued on next page]

(54) Title: MANAGED PEER-TO-PEER APPLICATIONS IN A SECURE NETWORK



(57) Abstract: Applications, systems and methods of efficiently accessing and controlling data of devices among multiple computers over a network. Access and control system (54) manages the synchronizing of version of files between a plurality of heterogeneous devices (72, 74, 76, 77, 78, 79). The computers may be located behind different firewalls without detriment to the functionality of the present applications, systems and methods. Peer applications synchronize file structures from one computer to another computer (18a, 18b, 18c, 18d, 18e, 18n). Files are synchronized using Delta files and Inverse Delta files.

WO 2005/050625 A3



— *before the expiration of the time limit for amending the claims and to be republished in the event of receipt of amendments*

(88) Date of publication of the international search report:
27 March 2008

INTERNATIONAL SEARCH REPORT

International application No.

PCT/US04/37608

A. CLASSIFICATION OF SUBJECT MATTER
 IPC: **G06F 15/16(2006.01),17/00(2006.01)**

USPC: 707/203;709/248
 According to International Patent Classification (IPC) or to both national classification and IPC

B. FIELDS SEARCHED

Minimum documentation searched (classification system followed by classification symbols)
 U.S. : 707/203; 709/225, 248; 726/11

Documentation searched other than minimum documentation to the extent that such documents are included in the fields searched

Electronic data base consulted during the international search (name of data base and, where practicable, search terms used)
 Please See Continuation Sheet

C. DOCUMENTS CONSIDERED TO BE RELEVANT

Category *	Citation of document, with indication, where appropriate, of the relevant passages	Relevant to claim No.
X --- Y	US 6,571,245 B1 (HUANG et al.) 27 May 2003 (27.05.2003), columns 4, 11-12	1-6, 9-14, 16, 21-22, 24-26, 135, 137-139, 160-165, 181, 183, 186, 187, 201, 203-208, 210,211, 215-217 ----- 7, 8, 15, 17-20, 23, 49- 50, 136, 182, 184, 185, 202, 209, 212
Y	US 6,104,716 A (CRICHTON et al.) 15 August 2000 (15.08.2000), columns 3, 15	7, 8, 15, 17-20, 23, 49- 50, 136, 182, 184, 185, 202

Further documents are listed in the continuation of Box C. See patent family annex.

* Special categories of cited documents:			
"A"	document defining the general state of the art which is not considered to be of particular relevance	"T"	later document published after the international filing date or priority date and not in conflict with the application but cited to understand the principle or theory underlying the invention
"E"	earlier application or patent published on or after the international filing date	"X"	document of particular relevance; the claimed invention cannot be considered novel or cannot be considered to involve an inventive step when the document is taken alone
"L"	document which may throw doubts on priority claim(s) or which is cited to establish the publication date of another citation or other special reason (as specified)	"Y"	document of particular relevance; the claimed invention cannot be considered to involve an inventive step when the document is combined with one or more other such documents, such combination being obvious to a person skilled in the art
"O"	document referring to an oral disclosure, use, exhibition or other means	"&"	document member of the same patent family
"P"	document published prior to the international filing date but later than the priority date claimed		

Date of the actual completion of the international search 04 January 2008 (04.01.2008)	Date of mailing of the international search report 17 JAN 2008
---	--

Name and mailing address of the ISA/US Mail Stop PCT, Attn: ISA/US Commissioner for Patents P.O. Box 1450 Alexandria, Virginia 22313-1450 Facsimile No. (571) 273-3201	Authorized officer Patrice Winder Telephone No. 703-305-3900
---	--

INTERNATIONAL SEARCH REPORT

International application No.

PCT/US04/37608

Box No. II Observations where certain claims were found unsearchable (Continuation of item 2 of first sheet)

This international search report has not been established in respect of certain claims under Article 17(2)(a) for the following reasons:

1. Claims Nos.:
because they relate to subject matter not required to be searched by this Authority, namely:

2. Claims Nos.:
because they relate to parts of the international application that do not comply with the prescribed requirements to such an extent that no meaningful international search can be carried out, specifically:

3. Claims Nos.:
because they are dependent claims and are not drafted in accordance with the second and third sentences of Rule 6.4(a).

Box No. III Observations where unity of invention is lacking (Continuation of item 3 of first sheet)

This International Searching Authority found multiple inventions in this international application, as follows:
Please See Continuation Sheet

1. As all required additional search fees were timely paid by the applicant, this international search report covers all searchable claims.
2. As all searchable claims could be searched without effort justifying additional fees, this Authority did not invite payment of any additional fees.
3. As only some of the required additional search fees were timely paid by the applicant, this international search report covers only those claims for which fees were paid, specifically claims Nos.:

4. No required additional search fees were timely paid by the applicant. Consequently, this international search report is restricted to the invention first mentioned in the claims; it is covered by claims Nos.: 1-26,49,50,135-165,181-187,201-212 and 215-218

- Remark on Protest**
- The additional search fees were accompanied by the applicant's protest and, where applicable, the payment of a protest fee.
- The additional search fees were accompanied by the applicant's protest but the applicable protest fee was not paid within the time limit specified in the invitation.
- No protest accompanied the payment of additional search fees.

INTERNATIONAL SEARCH REPORT

International application No.
PCT/US04/37608

C (Continuation). DOCUMENTS CONSIDERED TO BE RELEVANT

Category *	Citation of document, with indication, where appropriate, of the relevant passages	Relevant to claim No.
Y	US 6,012,086 A (LOWELL) 04 January 2000 (04.01.2000), columns 4-5	49, 50, 209, 212

INTERNATIONAL SEARCH REPORT

International application No.
PCT/US04/37608

BOX III. OBSERVATIONS WHERE UNITY OF INVENTION IS LACKING

This application contains the following inventions or groups of inventions which are not so linked as to form a single general inventive concept under PCT Rule 13.1. In order for all inventions to be examined, the appropriate additional examination fees must be paid.

Group 1, claim(s) 1-26, 49-50, 135-139, 160-165, 181-187, 201-212, 215-217, drawn to integrating a file structure from a first computer into a file structure of a second computer.

Group 2, claim(s) 27-38, 140-159, 218, drawn to sending files between a first computer and a second computer by a file transfer protocol.

Group 3, claim(s) 39-48, 219, drawn to implementing remote control by integrating a remote desktop.

Group 4, claim(s) 51-134, 188-197, drawn to managing subscriptions, validating entries between local storage device and remote storage device.

Group 5, claim(s) 166-172, drawn to accessing printers over a network.

Group 6, claim(s) 173-180, drawn to tracking file transactions and modifications.

The inventions listed as Groups 1-6 do not relate to a single general inventive concept under PCT Rule 13.1 because, under PCT Rule 13.2, they lack the same or corresponding special technical features for the following reasons: each group requires a search for features that are not within the scope of a search for the features of the other groups.

Continuation of B. FIELDS SEARCHED Item 3:

DERWENT WPI (using BRS)

search terms: firewall, aaa server, authentication server, synchronize, consistent, file, document