



US00D475449S

(12) **United States Design Patent** (10) **Patent No.:** **US D475,449 S**
Stout, Jr. (45) **Date of Patent:** **** Jun. 3, 2003**

- (54) **DUCT TAP WITH AN INDENTED END**
- (75) Inventor: **William K. Stout, Jr.,** Mason, OH (US)
- (73) Assignee: **Eastern Sheet Metal LLC,** Cincinnati, OH (US)
- (*) Notice: This patent is subject to a terminal disclaimer.
- (**) Term: **14 Years**
- (21) Appl. No.: **29/138,820**
- (22) Filed: **Mar. 20, 2001**

EP	0273221	B1	7/1988
EP	03899462	A1	9/1990
EP	0758066	B1	2/1997
FR	2015241		4/1970
GB	1587018		3/1981
IT	1285018		3/1998
NO	174861		4/1994
SE	13987		1/1974
SE	17788		4/1976
SE	19819		4/1977
SE	25473		4/1980
SE	25610		4/1980
SE	26059		9/1980
SE	26995		12/1980
WO	WO9415133		7/1994

- (51) **LOC (7) Cl.** **23-04**
- (52) **U.S. Cl.** **D23/393; D23/266**
- (58) **Field of Search** **D23/259, 262, D23/263, 266, 386, 387, 391, 393, 394, 138/111-117, DIG. 4, DIG. 11, 177; 285/47, 123.15, 123.16, 110, 374, 347, 232-234, 123.1, 123.3-123.7, 123.9, 122.1, 125.1, 129.1, 129.2, 131.1, 132.1, 133.11, 133.3, 133.6, 136.1, 139.1, 139.2, 139.3, 141.1, 142.1, 143.1, 148.22, 148.23, 148.24, 148.25, 189, 197-200, 332, 332.1, 334.1, 334.5, 405, 424; 454/228-236, 243, 270, 903, 906; 126/307 R, 312, 307 A, 314-317**

- (56) **References Cited**
- U.S. PATENT DOCUMENTS**
- 549,352 A * 11/1895 Folger 285/43
- D25,709 S 6/1896 Pratt
- 690,778 A * 1/1902 Schroth 126/314

- (List continued on next page.)
- FOREIGN PATENT DOCUMENTS**
- DE 2840962 4/1979
- DK 150025 B 11/1986
- EP 092881 A2 11/1983

OTHER PUBLICATIONS

U.S. patent application Ser. No. 29/138,761.
U.S. patent application Ser. No. 29/138,838.

(List continued on next page.)

Primary Examiner—Mitchell Siegel
Assistant Examiner—C. Tuttle
(74) *Attorney, Agent, or Firm*—Dinsmore & Shohl LLP

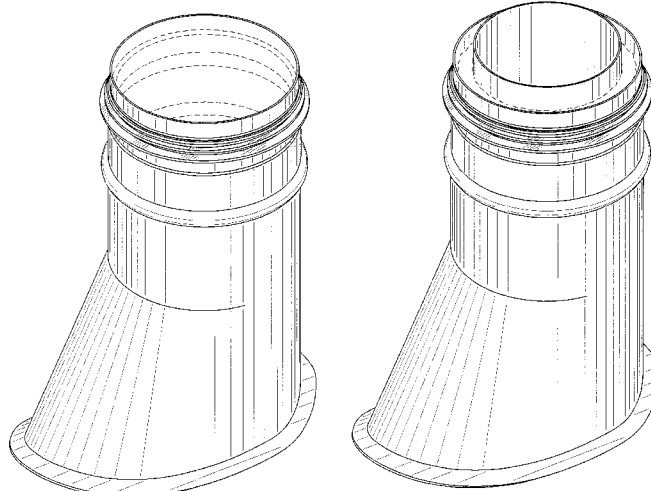
(57) **CLAIM**

The ornamental design for a duct tap with an indented end, as shown and described.

DESCRIPTION

FIG. 1 is a front right perspective view of a first embodiment of the duct tap with an indented end; the front left perspective view being a mirror image of FIG. 1; FIG. 2 is a front elevational view of the duct tap of FIG. 1; FIG. 3 is a front right perspective view of a second embodiment of the duct tap with an indented end; the front left perspective view being a mirror image of FIG. 3; and, FIG. 4 is a front elevational view of the duct tap of FIG. 3. The broken lines shown in FIGS. 1 and 3 are for illustrative purposes only and form no part of the claimed design.

1 Claim, 4 Drawing Sheets



U.S. PATENT DOCUMENTS

1,565,918 A 12/1925 Fitzgerald
 1,570,974 A 1/1926 Stevens
 2,101,311 A * 12/1937 Duncan 285/288.1
 2,314,386 A 3/1943 Brend
 2,544,108 A 3/1951 Richardson
 2,616,728 A * 11/1952 Pitt 285/47
 2,907,592 A * 10/1959 Bailey 285/219
 2,930,635 A 3/1960 Woodling
 3,015,510 A 1/1962 Bates
 D234,847 S 4/1975 Hoffman
 3,955,834 A 5/1976 Ahlrot
 4,007,941 A 2/1977 Stancati
 4,050,703 A 9/1977 Tuvevsson et al.
 4,147,382 A * 4/1979 Wachter 285/189
 4,193,246 A 3/1980 Schiefer et al.
 4,216,981 A 8/1980 Jensen
 4,369,159 A 1/1983 Irmer
 D273,702 S 5/1984 Widerby et al.
 4,569,110 A * 2/1986 Goettel 29/890.11
 4,664,421 A 5/1987 Jones
 4,708,374 A * 11/1987 Cox 285/136.1 X
 4,887,851 A * 12/1989 Rush et al. 285/158
 5,080,403 A * 1/1992 Paoluccio 285/229
 5,314,212 A * 5/1994 Sanders 285/197
 5,390,961 A * 2/1995 Guthrie 285/47
 5,405,174 A 4/1995 Sondén et al.
 5,407,122 A 4/1995 Stefansson et al.
 D360,018 S 7/1995 Sondén et al.
 D360,019 S 7/1995 Sondén et al.
 D360,020 S 7/1995 Sondén et al.
 D360,021 S 7/1995 Sondén et al.
 D361,829 S 8/1995 Sondén et al.
 D362,299 S 9/1995 Sondén et al.
 D362,300 S 9/1995 Sondén et al.
 5,452,922 A * 9/1995 Ziu 285/133.1
 D363,115 S 10/1995 Lennartsson
 5,473,815 A 12/1995 Sonden et al.
 D367,316 S 2/1996 Sondén et al.
 D368,304 S 3/1996 Morrison
 5,531,460 A 7/1996 Stefansson et al.
 D377,829 S 2/1997 Andresen
 5,599,600 A 2/1997 Rau
 5,649,662 A 7/1997 Krichau et al.
 D383,053 S 9/1997 Schrader et al.
 D383,195 S 9/1997 Sondén et al.
 D383,196 S 9/1997 Sondén et al.
 D386,246 S 11/1997 Sondén et al.
 D402,354 S 12/1998 Strong et al.
 D407,802 S 4/1999 Hatfield et al.
 D427,667 S 7/2000 Stout, Jr.

D427,668 S 7/2000 Stout, Jr.
 D427,673 S 7/2000 Stout, Jr.
 D430,482 S 9/2000 Stout, Jr.
 D435,090 S 12/2000 Stout, Jr.
 D437,034 S 1/2001 Stout, Jr.
 6,170,883 B1 1/2001 Mattsson et al.
 D447,223 S 8/2001 Mattsson et al.
 D454,949 S 3/2002 Mattsson et al.
 D456,071 S 4/2002 Mattsson et al.
 D456,072 S 4/2002 Mattsson et al.
 D461,887 S 8/2002 Mattsson et al.
 6,431,609 B1 8/2002 Andersson

OTHER PUBLICATIONS

U.S. patent application Ser. No. 29/138,847.
 U.S. patent application Ser. No. 29/138,785.
 U.S. patent application Ser. No. 29/138,839.
 U.S. patent application Ser. No. 29/138,830.
 U.S. patent application Ser. No. 29/138,819.
 U.S. patent application Ser. No. 29/138,818.
 U.S. patent application Ser. No. 29/138,782.
 U.S. patent application Ser. No. 29/138,790.
 U.S. patent application Ser. No. 29/138,783.
 U.S. patent application Ser. No. 29/138,786.
 U.S. patent application Ser. No. 29/138,771.
 U.S. patent application Ser. No. 29/138,760.
 U.S. patent application Ser. No. 29/138,836.
 U.S. patent application Ser. No. 29/138,764.
 U.S. patent application Ser. No. 29/138,668.
 U.S. patent application Ser. No. 29/138,772.
 U.S. patent application Ser. No. 29/138,784.
 U.S. patent application Ser. No. 29/138,781.
 U.S. patent application Ser. No. 29/138,842.
 U.S. patent application Ser. No. 29/138,837.
 U.S. patent application Ser. No. 29/138,763.
 U.S. patent application Ser. No. 29/138,829.
 U.S. patent application Ser. No. 29/138,762.
 “Sistema Di Tenuta Ring”, Issued by Climovent System, an Italian Company; pp. 1–6 (Undated).
 “Veloduct” catalog 1997, ABB Ventilation Products AB, Division Veloduct.
 Hallstroms Verkstader 2 page advertisement and an English translation of portions thereof. Mar. 21, 2000.
Ducts an Fittings Product Brochure, Lindab Ltd., Northampton, Great Britain (undated), front and back covers and pp. 3–52.

* cited by examiner

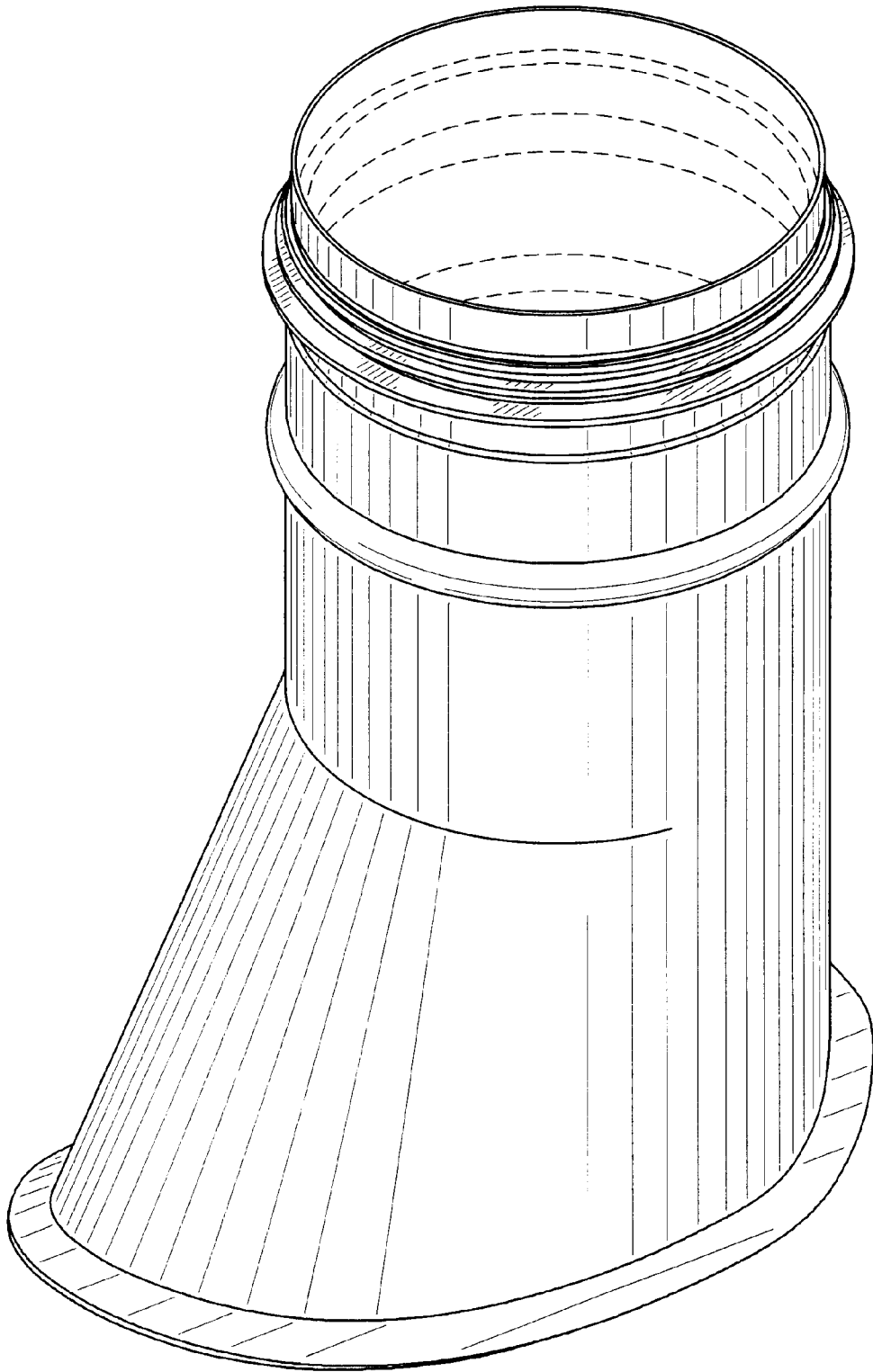


FIG. 1

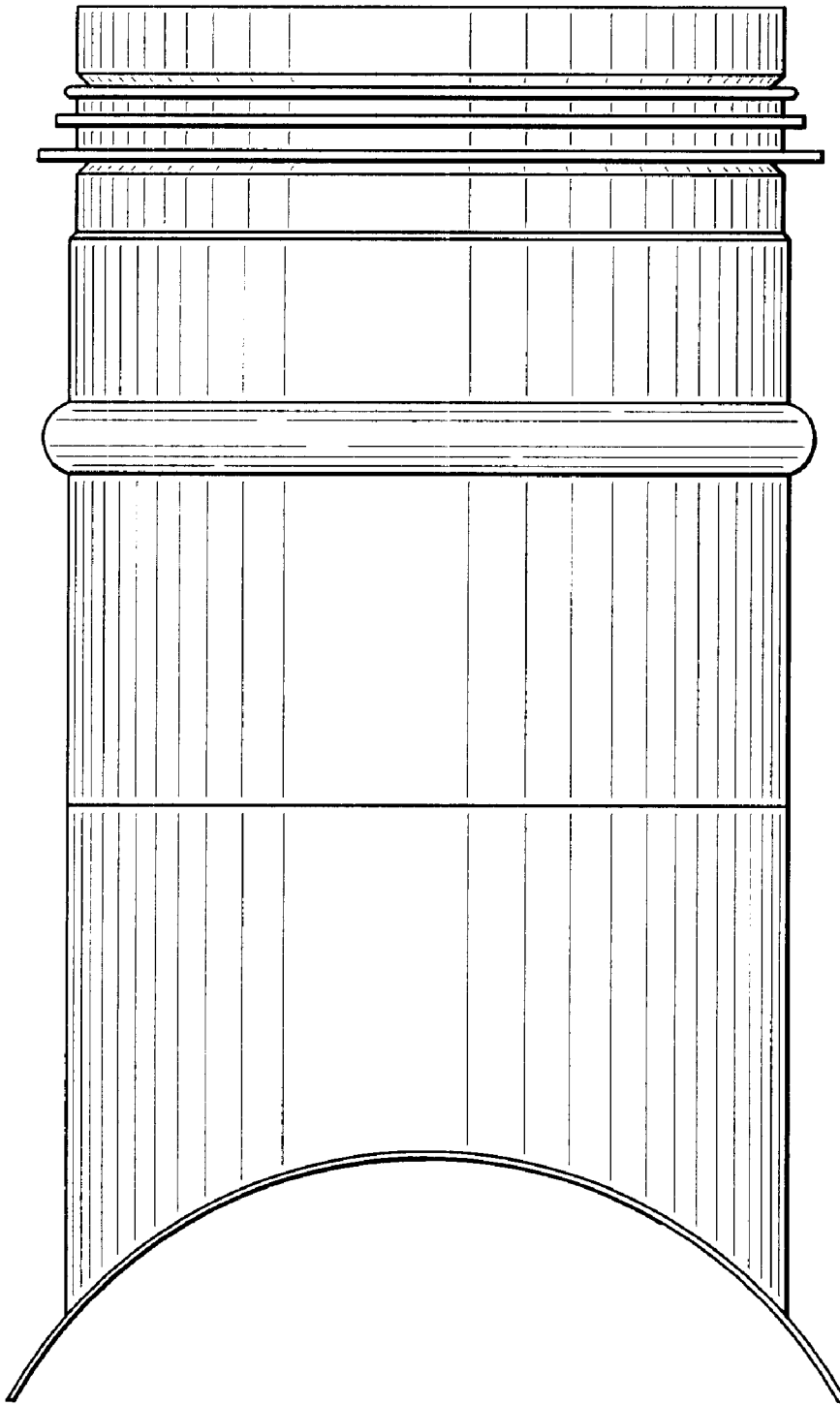


FIG. 2

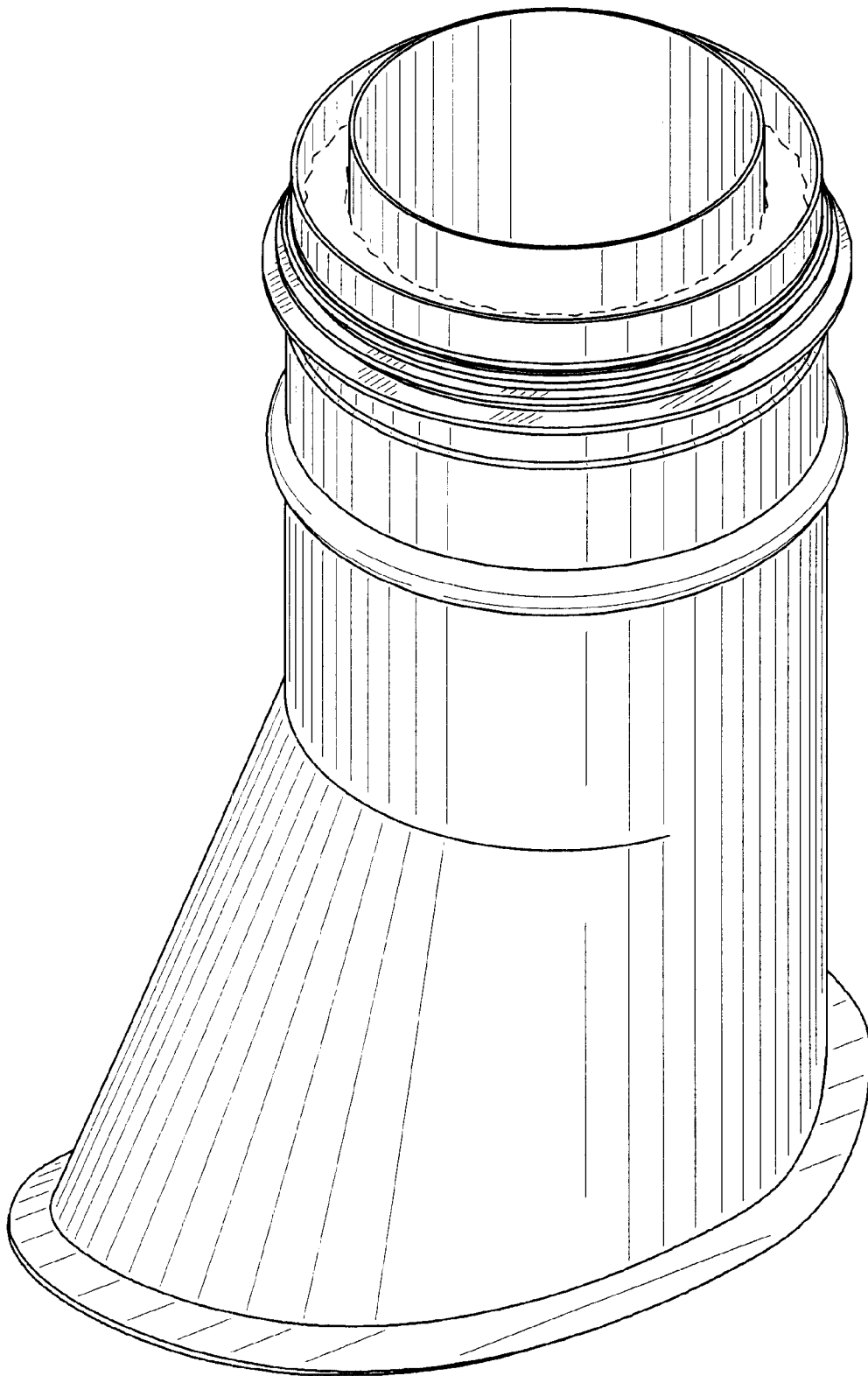


FIG. 3

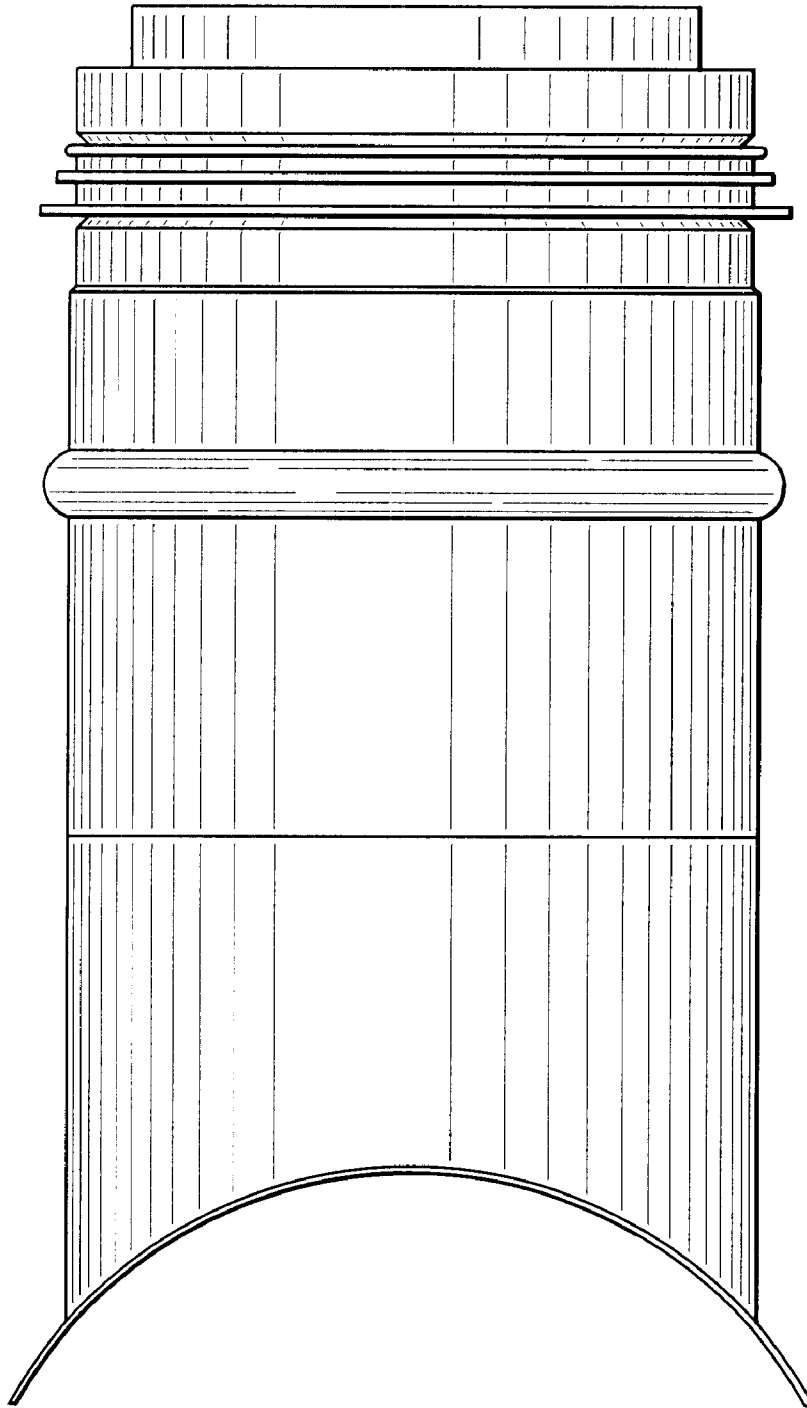


FIG. 4