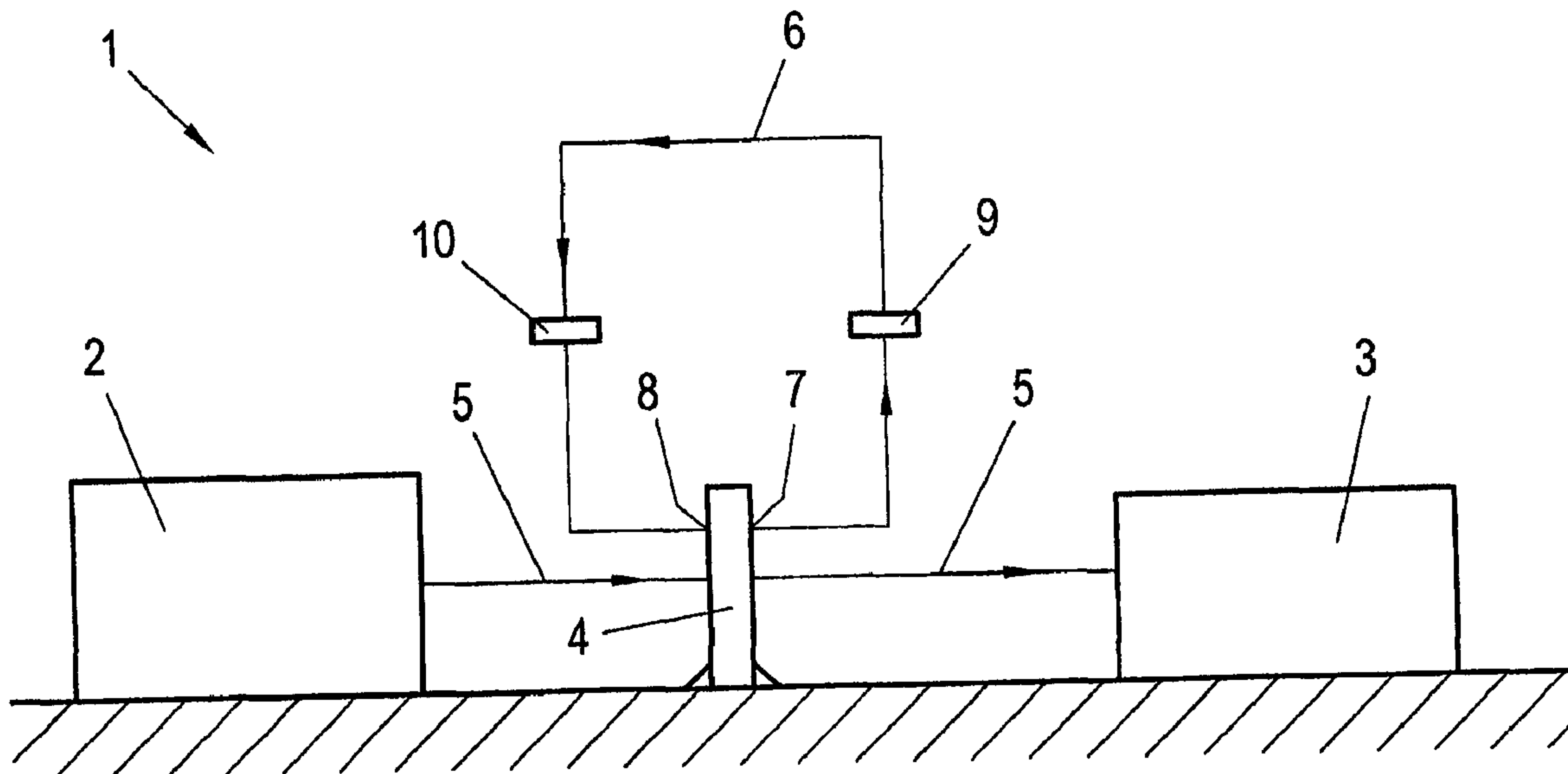




(22) **Date de dépôt/Filing Date:** 2011/04/14  
(41) **Mise à la disp. pub./Open to Public Insp.:** 2011/10/20  
(45) **Date de délivrance/Issue Date:** 2019/09/10  
(62) **Demande originale/Original Application:** 2 796 001  
(30) **Priorités/Priorities:** 2010/04/14 (ATA 596/2010);  
2010/04/14 (ATA 597/2010)

(51) **Cl.Int./Int.Cl. C10G 9/40** (2006.01)  
(72) **Inventeurs/Inventors:**  
DELGADO CASTILLO, JOSE MIGUEL, AT;  
VENECIANO RIVERA, ANIBAL LUIS, AT;  
NUERK, RUEDIGER UWE, AT;  
CHERNIKOV, FEDOR, RU  
(73) **Propriétaire/Owner:**  
PRISTEC AG, AT  
(74) **Agent:** MARKS & CLERK

(54) **Titre : UNE METHODE DE REGLAGE DU POINT FONCTIONNEL D'UN GENERATEUR D'ONDE DE PRESSION**  
(54) **Title: A METHOD FOR ADJUSTING THE OPERATING POINT OF A PRESSURE WAVE GENERATOR**



(57) **Abrégé/Abstract:**

A method is disclosed for adjusting the operating point of a pressure wave generator for treating a liquid, in particular a mineral oil with pressure waves of a first frequency for increasing the portion of low-boiling fractions in the liquid characterized in that the pressure wave generator is communicated with a liquid, in particular water, via flowed-through pipings and the frequency of application is varied and the operating point is determined as a maximum in temperature rise of the liquid after passing the pressure wave generator as a function of the frequency of application.

## Abstract

A method is disclosed for adjusting the operating point of a pressure wave generator for treating a liquid, in particular a mineral oil with pressure waves of a first frequency for increasing the portion of low-boiling fractions in the liquid characterized in that the pressure wave generator is communicated with a liquid, in particular water, via flowed-through pipings and the frequency of application is varied and the operating point is determined as a maximum in temperature rise of the liquid after passing the pressure wave generator as a function of the frequency of application.

A Method for Adjusting the Operating Point of a Pressure  
Wave Generator

This is a divisional application of Canadian Patent  
5 Application Serial No. 2, 796, 001 filed on April 14, 2011.

The invention relates to a method for adjusting the  
operating point of a pressure wave generator for treating a  
liquid.

10

It should be understood that the expression "the invention"  
and the like used herein may refer to subject matter  
claimed in either the parent or the divisional  
applications.

15

Further, a method is described for the treatment of a  
liquid, in particular a mineral oil, for increasing the  
portion of low-boiling fractions, wherein said treatment  
comprises generating pressure waves having a first  
20 frequency, subjecting the liquid to said pressure waves in  
a region of application and feeding the so-treated liquid  
to a tank.

Further, a device is described for the treatment of a  
25 liquid, in particular a mineral oil, for increasing the  
portion of low-boiling fractions, in particular for  
carrying out the method, comprising a pressure wave  
generator for generating a pressure wave having a first  
frequency, said pressure wave generator being arranged to

subject the liquid to said pressure waves in a region of application.

A method for the treatment of a liquid and a corresponding  
5 device have become known for example from European patent  
application EP 1 260 266 A1 and serves to destabilize and  
break up chemical bonds in liquids such as mineral oils and  
like substances in order to obtain an increased portion of  
10 short-chain and hence low-boiling fractions in the course  
of refining. For this purpose mechanical oscillation energy  
is brought into the liquid in the form of pressure waves  
which leads to a destruction of chemical bonds and hence to  
the chain-break of long-chained, high-boiling molecule  
fractions. Although the molecular processes that actually  
15 occur are not yet completely understood, it is certain that  
with an appropriate treatment of crude oil and other  
mineral oils with pressure waves having a specific  
frequency the distillation profile is favourably shifted  
towards short-chain, low-boiling fractions so that the  
20 yield of high value products from crude oil and mineral  
oils can be increased. Currently it is assumed that due to  
the oscillation energy a resonance excitation occurs in the  
liquid with an appropriate choice of the oscillation  
frequency, which is responsible for said chain-break.

25

In EP 1 260 266 A1 a rotor is described as the source of  
mechanical oscillation, in which rotor the liquid to be  
treated is directed into a hollow of a rotatably mounted  
member in which the liquid flows radially outwards and from  
30 which the liquid is directed through radial openings in the

rotor into an annular gap, the radial openings being arranged in an even manner on the outer surface of the rotor. By the fast rotation of the rotor the liquid in the gap is subjected to oscillating pressure waves having a frequency that is a function of the rotational speed and the number of openings on the outer surface of the rotor so that considerable energy quantities are brought into the liquid and the chemical bonds are destabilized or broken.

10 It is an object of the present invention to provide a method for adjusting the operating point of a pressure wave generator for treating a liquid, in particular a mineral oil, for increasing the portion of low-boiling fractions.

15 To solve this object, the inventive method for adjusting the operating point of a pressure wave generator for treating a liquid, in particular a mineral oil with pressure waves of a first frequency for increasing the portion of low-boiling fractions in the liquid is carried out in that the pressure wave generator is communicated with a liquid, in particular water via flowed-through pipings and the frequency of application is varied and the operating point is determined as a maximum in temperature rise of the liquid after passing the pressure wave generator as a function of the frequency of application.

20  
25

Applicant unexpectedly has made the observation that when the pressure wave generator is operated at a frequency that induces a sudden increase of the temperature of the water communicating with the pressure wave generator then also

30

the actual treatment of the mineral oil is carried out particularly effective. Hence the inventive method affords an especially simple possibility of calibration of the pressure wave generator.

5

The inventive method may be used for calibrating a pressure wave generator prior to use of the pressure generator for carrying out the method as described below. The method is useful for the more effective pretreatment of the liquid in order to further increase the portion of low-boiling fractions. Furthermore, a device for carrying out the method is described.

The method for the treatment of a liquid, in particular a mineral oil, for increasing the portion of low-boiling fractions, wherein said treatment comprises generating pressure waves having a first frequency, subjecting the liquid to said pressure waves in a region of application and feeding the so-treated liquid to a tank, is devised such that at least one pipe flowed through by the treated liquid and immediately following said region of application is excited to oscillations of a second frequency, which is the resonance frequency of the excited system.

Departing from the above mentioned state of the art applicant has observed that an even more effective pretreatment of the liquid or an even further destabilization of the chemical bonds in the liquid occurs if, in addition to application of said pressure waves having the first frequency, the whole system, which

consists of or comprises the pressure wave generator and the pipings leading to and leading away from the pressure wave generator and, of course, containing the liquid flowing through the system is excited to vibrations of a  
5 second frequency. This second frequency is a resonance frequency of the entire system, which frequency depends not only on the length, strength, weight and geometry of the pipings, in particular of the recirculation pipe, and all other appliances but also on the damping properties of the  
10 ground on which the installation is built. When it is succeeded in performing the application of pressure waves with a particular first frequency that is considered favorable and at the same time excite the whole system to vibrations of a second resonance frequency a particularly  
15 effective pretreatment of the liquid occurs and a particularly high portion of the desired low-boiling fractions is obtained in the subsequent distillation or rectification step. The resonance state of the overall system with said second frequency, however, does not in all  
20 cases occur offhand and the parameters of operations have to be kept within certain limits during the treatment in order to maintain a resonance state that has been achieved depending on the amounts of liquid to be treated being delivered through the pipings and the oscillator and its  
25 density and viscosity.

Preferably said pressure waves having the first frequency are brought into the liquid by the aid of a pressure wave generator connected with the liquid to be treated via  
30 flowed through pipings and the system consisting of the

5 piping and, as the case may be, the pressure wave generator is excited to vibrations of the second frequency. The first frequency together with the second frequency act to destabilize chemical bonds in the liquid to be treated, which leads to a distillation profile, which is shifted towards low-boiling fractions of mineral oil.

10 In order to reliably achieve the resonance state, the method is preferably devised such that a portion of the liquid is withdrawn after passing said region of application and before reaching the tank and that said withdrawn portion of the liquid is refeed to said region of application via a recirculation pipe, the pressure in the recirculation pipe being adjusted by the aid of at least  
15 one adjustable throttle valve. In the described method the application of pressure waves having the first frequency is carried out at frequencies of oscillation known per se from the state of the art, wherein normally no resonance of the overall system occurs. However, by recirculating a portion  
20 of the liquid after it has passed the region of application of pressure waves and by varying the pressure in the recirculation pipe by the aid of at least one adjustable throttle valve, which leads to appropriate overpressures and underpressures at the site of withdrawal or the site of  
25 refeed, it is accomplished to vary the pressure waves emitted by the pressure wave generator into the overall system in such a way that a resonance of the overall system occurs which remains stable over a certain range of operation parameters as have been mentioned already above.  
30 In addition to the mentioned overpressures and

underpressures it seems that also the actual pressure of the liquid within the pressure wave generator may be critical for establishing the resonance state, so that the at least one adjustable throttle valve can also be seen as  
5 a means to adjust the exact pressure in the pressure wave generator in order to achieve the resonance state. This particular pressure depends on various factors as already mentioned above. In the resonance state the throughput and the physical properties of the liquid to be treated can  
10 hence vary within certain limits without losing the resonance state. Also in the resonance state refeeding of the liquid to be treated via the recirculation pipe can be discontinued or shut down. The described mode of operation is again necessary only when the resonance state has been  
15 lost due to overly important changes of the parameters of operation and this state has to be induced anew. On the other hand it can be useful to keep a certain flow through the recirculation pipe. As a consequence a part of the liquid to be treated passes the pressure wave generator  
20 several times thereby being subjected to the pressure waves of the first frequency not only once, which leads to an even more intense destabilization of the chemical bonds in the liquid.

25 The first frequency preferably is chosen in the region between 2 kHz and 150 kHz, in particular between 2 kHz and 20 kHz, which has been found as a range of frequency where destabilization of chemical bonds is maximum. The second frequency normally is different from the first frequency  
30 and may well be as high as  $10^{15}$  Hz. According to a preferred

embodiment, the second frequency is applied to the excited system by the aid of an auxiliary oscillator. By the aid of the auxiliary oscillator the second frequency can be deliberately induced to the entire system in order to  
5 reliably and quickly achieve the resonance state.

In principle mechanical, electromechanical, piezoelectric and other acoustic emitters can be used as the pressure wave generator. According to a preferred embodiment the  
10 method, however, is devised such that the pressure wave generator comprises a rotor flowed through by the liquid to be treated and mounted in a housing, whereby such rotors can also be seen in the mentioned state of the art according to EP 1 260 266 A1. A more detailed description  
15 is provided below.

In practice a mode of operation has turned out to be particularly preferable in which the pressure in the recirculation pipe is adjusted by the aid of two  
20 continuously adjustable throttle valves. The two continuously adjustable throttle valves are arranged in the direction of flow in the recirculation pipe consecutively so that the pressure in the recirculation pipe at the site of withdrawal after the pressure wave generator can be  
25 adjusted separately from the pressure at the site of refeed. This offers utmost properties of manipulation so that the resonance state can quickly be achieved by experienced personnel.

The preferred device for the treatment of a liquid, in particular a mineral oil, for increasing the portion of low-boiling fractions, in particular for carrying out the method described above, comprises a pressure wave generator  
5 for generating a pressure wave having a first frequency, said pressure wave generator being arranged to subject the liquid to said pressure waves in a region of application, and is characterized in that at least one pipe is arranged to be flowed through by the treated liquid and arranged to  
10 immediately follow said region of application, wherein means for exciting said pipe to oscillations of a second frequency are provided, which is the resonance frequency of the excited system.

15 According to a preferred embodiment a recirculation pipe is provided for withdrawing a portion of the treated liquid downstream of the pressure wave generator at a site of withdrawal and for refeeding the treated liquid to the pressure wave generator at a site of refeed upstream of the  
20 pressure wave generator, whereby at least one adjustable throttle valve is arranged in the recirculation pipe for adjustment of pressure.

According to a preferred embodiment the device is further  
25 embodied such that the pressure wave generator is connected via flowed-through pipings with the liquid to be treated, in particular mineral oil.

Preferably the device is embodied such that the pressure  
30 wave generator takes the form of a rotor flowed through by

the liquid to be treated and mounted in a housing, the rotor being mounted for rotation with its axle and is embodied as a disc with a ring-shaped wall, in which a plurality of openings is arranged at even distances from each other along the ring-shaped wall and a stator arranged coaxially to the rotor is mounted to form an annular gap between the stator and the ring-shaped wall of the rotor.

For some applications it can be useful to generate not only one first frequency but an additional frequency to destabilize chemical bonds that are generally not affected by the frequency generated by the interaction between the ring-shaped wall of the rotor and stator. To this end the device is advantageously devised such that the rotor has a disc arranged coaxially with and inside the ring-shaped wall, the disc having a plurality of openings at even distances from each other. If desired the disc can additionally be mounted rotatably against the ring-shaped wall. In this case the disc and the ring-shaped wall of the rotor, by their relative rotatability form an additional system that acts just as the ring-shaped wall of the rotor and the stator. Either way, by choosing an appropriate distance between the evenly spaced openings on the disc a desired additional frequency can be generated. This additional frequency is not to be confused with the second frequency, which is the resonance frequency of the excited system.

In Table 1 data are represented of test runs performed with crude oil and two different types of pressure wave

generators. The values for density and API° represent the density of the crude oil. In addition to the viscosity of the sample, Wt % shows the portion of light, low-boiling fractions.

5

Line 1 shows the data for an untreated sample of crude oil. Lines 2 and 3 show that after treatment with two different types of pressure wave generators, Line 2 representing treatment with the rotor as described in Fig. 2 and line 3 representing treatment with the rotor described in Fig. 3,  
10 a significant increase in the portion of light fractions of the mineral oil was obtained, so that from a sample of crude oil high-value fractions can be obtained.

15 Table 1:

Description	Density (15°C)	API°	Viscosity	Wt%
1 Reference sample (fresh crude)	0,9282	20,64	254,96	33,69
2 Treated sample with hydrogen activator	0,9187	22,37	121,79	46,98
3 Treated sample with carbon activator	0,8890	26,50	30,47	56,99

In the following the invention will be described in more detail in the drawing by way of a schematically illustrated  
20 embodiment.

In Fig.1 a device for carrying out a method for treating a liquid, for example a mineral oil is denoted by 1. The device comprises a crude oil tank 2 and a product  
25 receptacle 3. The crude oil or mineral oil is pumped or

flows from the tank 2 into the receptacle 3 and in doing so passes a pressure wave generator or an oscillator 4, for example in the form of a rotor. Corresponding pipings are denoted by 5. For establishing the resonance state a  
5 recirculation pipe 6 is provided which withdraws a portion of the liquid at the site of withdrawal 7 from the oscillator and refeeds this portion of liquid to the oscillator at the site of refeed 8. The pressure at the site of withdrawal 7 can be adjusted via an adjustable  
10 throttle valve 9. Irrespective of the pressure drop at the adjustable throttle valve 9 the pressure can further be reduced over the adjustable throttle valve 10 in order to adjust a desired pressure at the site of refeed 8. Depending on the throughput through the pipings 5 and the  
15 oscillator 4 and further depending on the physical properties of the conveyed liquid to be treated a propagation of pressure waves emitted by the oscillator 4 into the system of pipings 5 occurs with certain adjustments of the adjustable throttle valves 9 and 10 so  
20 that a resonance state is achieved in the whole system which causes the desired destabilization of the chemical bonds in the liquid to be treated.

In Fig.2 a rotor is depicted which can be used for carrying  
25 out the method. The oscillator 4 in addition to a drive 12 and an appropriate power transmission 13 comprises a rotor housing 14 and a rotor 15 that cooperates with a stator 16 mounted to the rotor housing 14. Between the rotor 15 and the stator 16 an annular gap 17 is formed. The liquid to be  
30 treated is guided into an inlet opening 19 in the direction

of arrow 18 and comes into the interior 20 of the rotor. Due to the centrifugal forces that occur with rotation of the rotor 15 the liquid to be treated in the interior 20 is conveyed towards the stator 16 and can flow into the annular gap 17 via the openings 21 in the rotor 15, the openings 21 being arranged at even distances along the circumference of the rotor 15. The annular gap 17 in Fig.2 is depicted very large in relation to the rotor 15 and in fact the gap between the rotor 15 and the stator 16 is only a few millimeters, so that in this region due to the rotation of the rotor 15 and the arrangement of the openings 21, pressure waves having a certain frequency are produced so that a considerable energy amount is brought into the liquid to be treated for destabilizing the chemical bonds. The pretreated liquid can be withdrawn via an opening 22 and be conveyed into a product receptacle. The recirculation pipe is connected to the rotor housing 14 at appropriate sites, which in Fig.1 are denoted by 7 and 8. This kind of rotor is used particularly for destabilizing chemical bonds between neighboring carbon atoms in molecules contained in a liquid to be treated and the rotor of this type is hence termed "carbon activator".

In Fig. 3 an alternative embodiment of the rotor 15 is depicted. On the rotor 15, an additional disc 23 is mounted to the rotor 15. By this measure, an auxiliary frequency is generated that serves to destabilize chemical bonds that are generally unaffected by the frequency generated between the rotor 15 and the stator 16. Both of these frequencies, however, are to be considered first frequencies within the

terminology of this application, since the second frequency is a resonance frequency of the entire system. This kind of rotor is used particularly for destabilizing chemical bonds between carbon atoms and hydrogen atoms in molecules contained in a liquid to be treated and the rotor of this type is hence termed "hydrogen activator".

Fig. 4 shows data from a test run and the temperature measured at a site upstream of the oscillator is denoted by 24 and the temperature measured downstream of the oscillator is denoted by 25. The rotary speed in the test run was fixed at 2990 rpm which brought about a maximum rise in the temperature of the water between the two curves after about 200 seconds of operation, the maximum temperature difference amounting to at about 10°C. In Fig. 5, the same test equipment was run at 3590 rpm. Here, a maximum rise in the temperature of the water between the two curves occurred after about 300 seconds amounting to at about 35°C. These parameter of operations where hence determined to be optimum for the treatment of the mineral oil.

The embodiments of the invention in which an exclusive property or privilege is claimed are defined as follows:

1. A method for adjusting the operating point of a pressure wave generator for treating a first liquid with pressure waves of a first frequency for increasing the portion of low-boiling fractions in the first liquid, wherein the pressure wave generator is communicated with a second liquid via flowed-through pipings and the frequency of application is varied and the operating point is determined as a maximum in temperature rise of the second liquid after passing the pressure wave generator as a function of the frequency of application.
2. A method according to claim 1, wherein the first liquid is a mineral oil.
3. A method according to claim 1 or 2, wherein the second liquid is water.

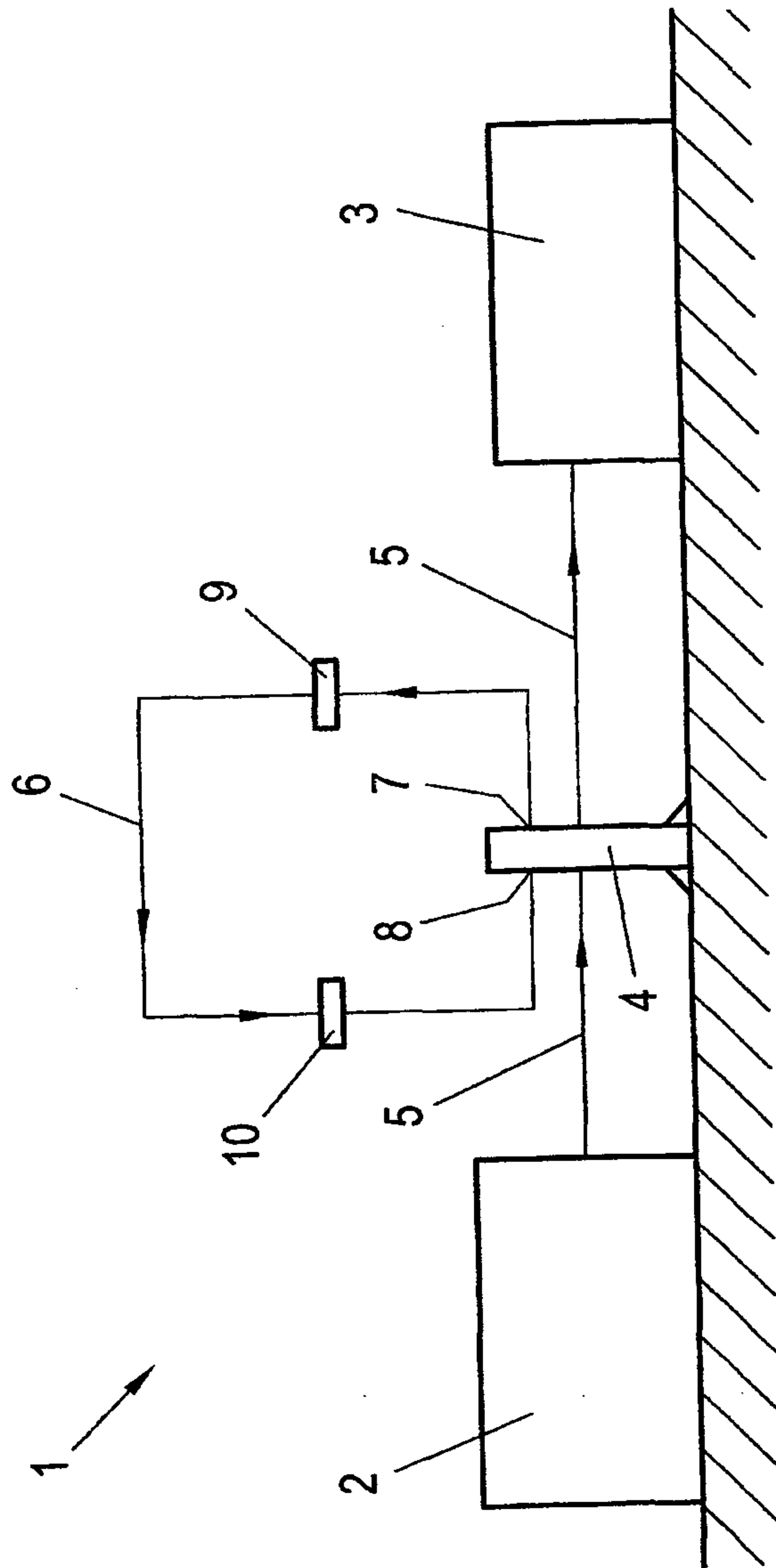


Fig. 1

2/5

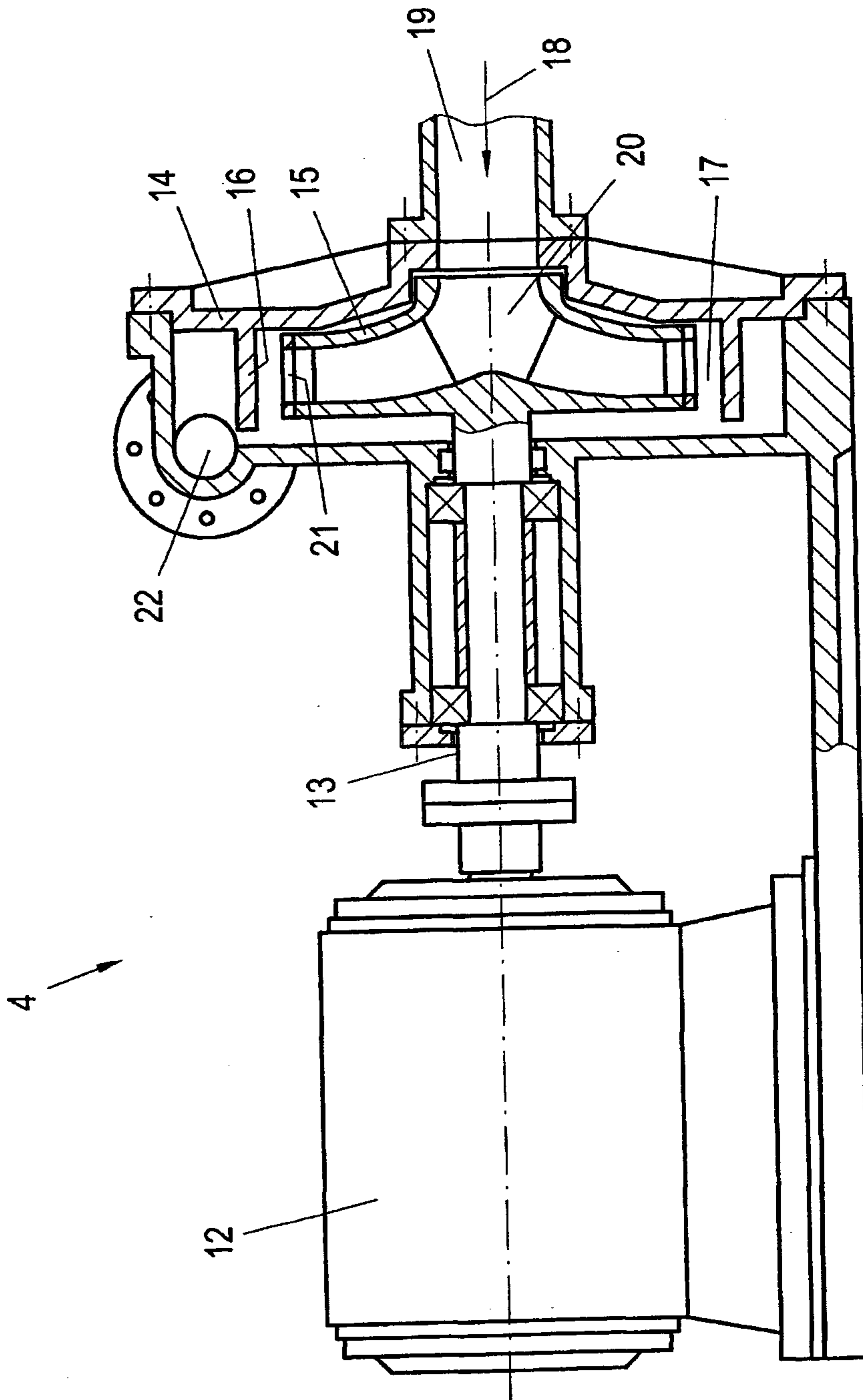


Fig. 2

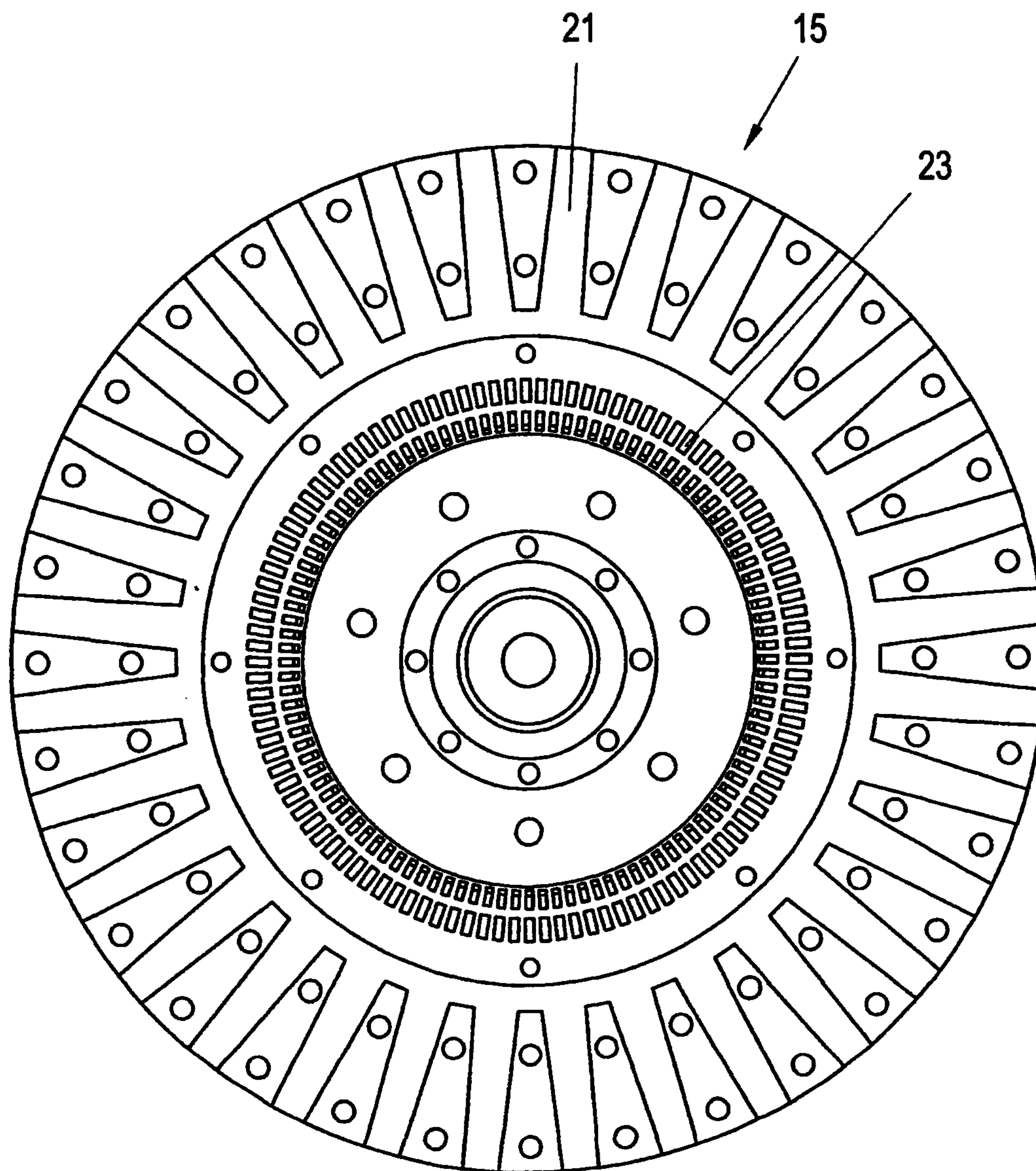


Fig. 3

SUBSTITUTE SHEET (RULE 26)

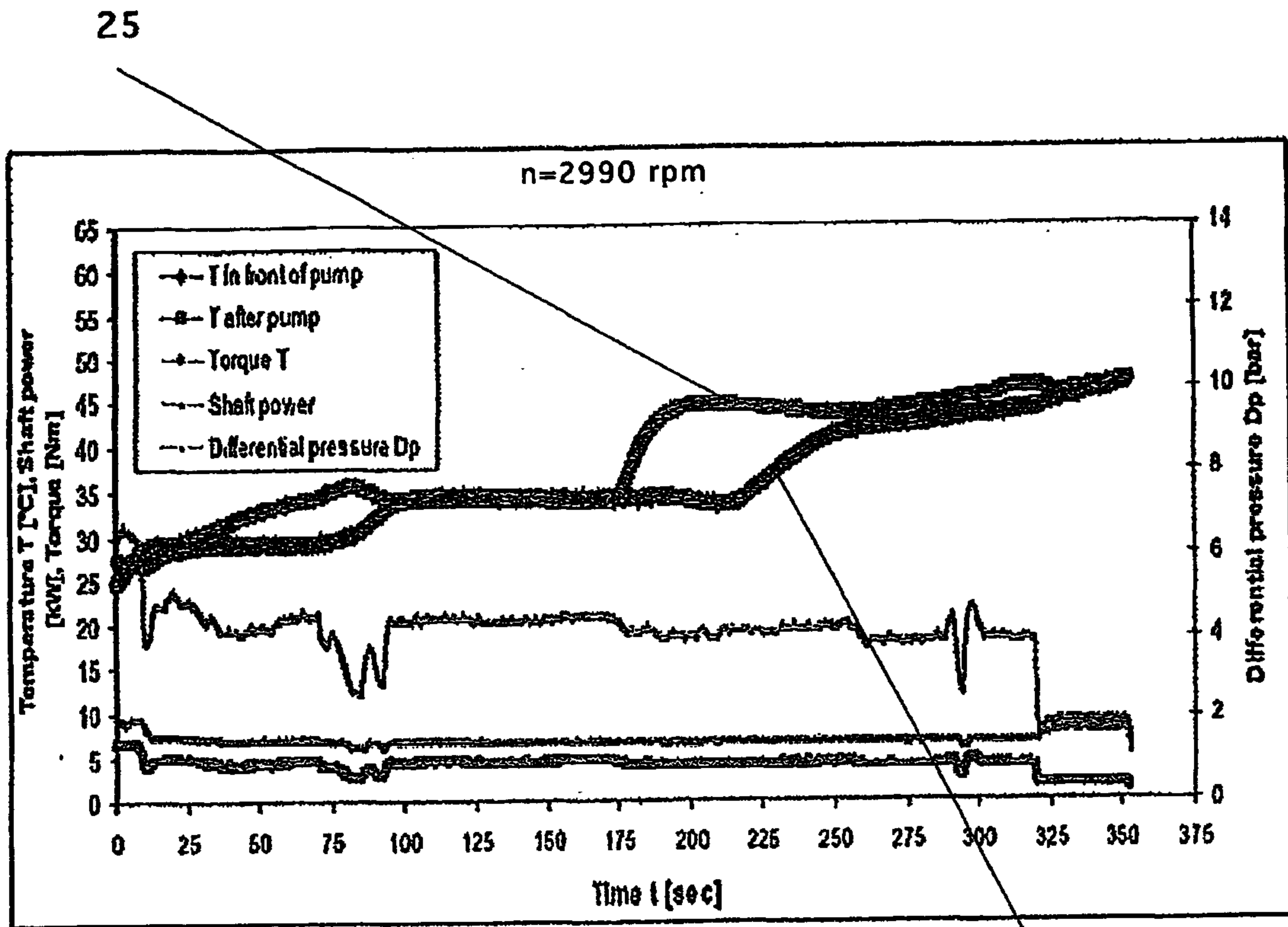


Fig. 4

SUBSTITUTE SHEET (RULE 26)

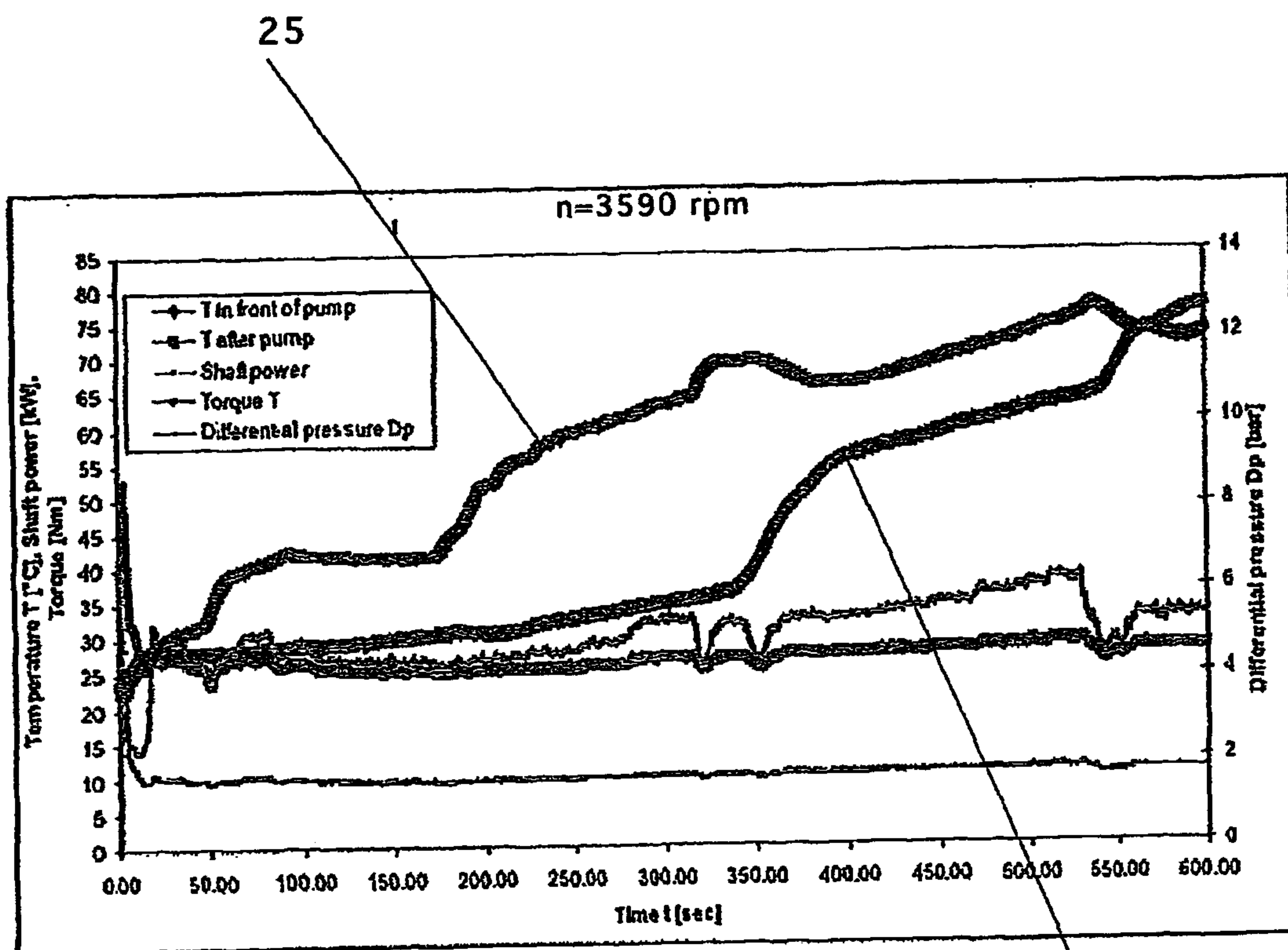


Fig. 5

24

SUBSTITUTE SHEET (RULE 26)

