

(19) World Intellectual Property  
Organization  
International Bureau



(43) International Publication Date  
4 March 2004 (04.03.2004)

PCT

(10) International Publication Number  
**WO 2004/017861 A3**

(51) International Patent Classification<sup>7</sup>: **A61F 2/30**,  
2/42, 2/38

Alan, John [GB/GB]; The Elms, 7 North Deeside Road, Bielside, Aberdeen AB15 9AD (GB). **SHEPHERD, Duncan, Eoin, Thomson** [GB/GB]; Flat 28, Caroline Apartments, Forbes Street, Aberdeen, AB25 2WN (GB).

(21) International Application Number:  
PCT/GB2003/003763

(74) Agent: **MURGITROYD & COMPANY**; Scotland House, 165-169 Scotland Street, Glasgow G5 8PL (GB).

(22) International Filing Date: 26 August 2003 (26.08.2003)

(25) Filing Language: English

(81) Designated States (*national*): AE, AG, AL, AM, AT, AU, AZ, BA, BB, BG, BR, BY, BZ, CA, CH, CN, CO, CR, CU, CZ, DE, DK, DM, DZ, EC, EE, ES, FI, GB, GD, GE, GH, GM, HR, HU, ID, IL, IN, IS, JP, KE, KG, KP, KR, KZ, LC, LK, LR, LS, LT, LU, LV, MA, MD, MG, MK, MN, MW, MX, MZ, NO, NZ, OM, PH, PL, PT, RO, RU, SC, SD, SE, SG, SK, SL, TJ, TM, TN, TR, TT, TZ, UA, UG, US, UZ, VC, VN, YU, ZA, ZM, ZW.

(26) Publication Language: English

(30) Priority Data:  
0219758.0 24 August 2002 (24.08.2002) GB

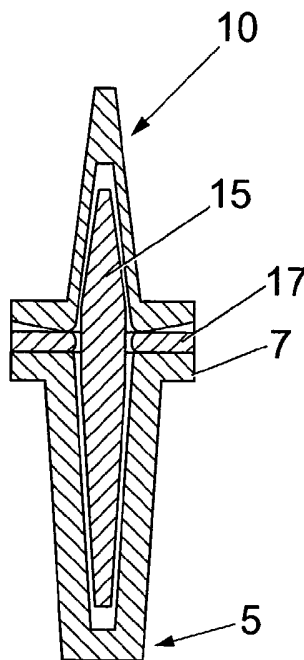
(71) Applicants (*for all designated States except US*):  
**GRAMPIAN UNIVERSITY HOSPITALS NHS TRUST** [GB/GB]; Foresterhill House, Ashgrove Road West, Aberdeen AB25 2ZB (GB). **THE UNIVERSITY COURT OF THE UNIVERSITY OF ABERDEEN** [GB/GB]; Kings College, Aberdeen, AB24 3FX (GB).

(84) Designated States (*regional*): ARIPO patent (GH, GM, KE, LS, MW, MZ, SD, SL, SZ, TZ, UG, ZM, ZW), Eurasian patent (AM, AZ, BY, KG, KZ, MD, RU, TJ, TM), European patent (AT, BE, BG, CH, CY, CZ, DE, DK, EE, ES, FI, FR, GB, GR, HU, IE, IT, LU, MC, NL, PT, RO, SE, SI, SK, TR), OAPI patent (BF, BJ, CF, CG, CI, CM, GA, GN, GQ, GW, ML, MR, NE, SN, TD, TG).

(72) Inventors; and  
(75) Inventors/Applicants (*for US only*): **JOHNSTONE**,

[Continued on next page]

(54) Title: IMPLANTABLE REPLACEMENT JOINT



(57) Abstract: An implantable replacement joint is described. The replacement joint includes first (5) and second (10) components having respective bores, and a flexible member (15) within a cavity formed by the respective bores.

WO 2004/017861 A3

**Declarations under Rule 4.17:**

- *as to applicant's entitlement to apply for and be granted a patent (Rule 4.17(ii)) for the following designations AE, AG, AL, AM, AT, AU, AZ, BA, BB, BG, BR, BY, BZ, CA, CH, CN, CO, CR, CU, CZ, DE, DK, DM, DZ, EC, EE, ES, FI, GB, GD, GE, GH, GM, HR, HU, ID, IL, IN, IS, JP, KE, KG, KP, KR, KZ, LC, LK, LR, LS, LT, LU, LV, MA, MD, MG, MK, MN, MW, MX, MZ, NO, NZ, OM, PH, PL, PT, RO, RU, SC, SD, SE, SG, SK, SL, TJ, TM, TN, TR, TT, TZ, UA, UG, UZ, VC, VN, YU, ZA, ZM, ZW, ARIPO patent (GH, GM, KE, LS, MW, MZ, SD, SL, SZ, TZ, UG, ZM, ZW), Eurasian patent (AM, AZ, BY, KG, KZ, MD, RU, TJ, TM), European patent (AT, BE, BG, CH, CY, CZ, DE, DK, EE, ES, FI, FR, GB, GR, HU, IE, IT, LU, MC, NL, PT, RO, SE, SI, SK, TR), OAPI patent (BF, BJ, CF, CG, CI, CM, GA, GN, GQ, GW, ML, MR, NE, SN, TD, TG)*

- *of inventorship (Rule 4.17(iv)) for US only*

**Published:**

- *with international search report*
- *before the expiration of the time limit for amending the claims and to be republished in the event of receipt of amendments*

**(88) Date of publication of the international search report:**

21 October 2004

*For two-letter codes and other abbreviations, refer to the "Guidance Notes on Codes and Abbreviations" appearing at the beginning of each regular issue of the PCT Gazette.*

# INTERNATIONAL SEARCH REPORT

International Application No PCT/GB 03/03763
-------------------------------------------------

<b>A. CLASSIFICATION OF SUBJECT MATTER</b>				
IPC 7    A61F2/30            A61F2/42            A61F2/38				
According to International Patent Classification (IPC) or to both national classification and IPC				
<b>B. FIELDS SEARCHED</b>				
Minimum documentation searched (classification system followed by classification symbols) IPC 7    A61F				
Documentation searched other than minimum documentation to the extent that such documents are included in the fields searched				
Electronic data base consulted during the international search (name of data base and, where practical, search terms used) EPO-Internal				
<b>C. DOCUMENTS CONSIDERED TO BE RELEVANT</b>				
Category °	Citation of document, with indication, where appropriate, of the relevant passages	Relevant to claim No.		
X	EP 0 115 564 A (SULZER AG) 15 August 1984 (1984-08-15)  page 1, line 1 - page 5, line 20; claims; figures  -----	1-6,9, 14-23, 30,31		
A	US 3 462 765 A (SWANSON ALFRED B) 26 August 1969 (1969-08-26)  claims; figures  -----	1-6,9, 14-23, 30,31		
A	FR 2 724 309 A (PROCERATI) 15 March 1996 (1996-03-15) claims; figures  -----	1-33		
A	US 5 534 033 A (SIMPSON CHARLES L) 9 July 1996 (1996-07-09) claims; figures  -----	1-33		
-/--				
<input checked="" type="checkbox"/> Further documents are listed in the continuation of box C. <span style="margin-left: 100px;"><input checked="" type="checkbox"/> Patent family members are listed in annex.</span>				
° Special categories of cited documents : <table style="width: 100%; border: none;"> <tr> <td style="width: 50%; border: none; vertical-align: top;">                 *A* document defining the general state of the art which is not considered to be of particular relevance                  *E* earlier document but published on or after the international filing date                  *L* document which may throw doubts on priority claim(s) or which is cited to establish the publication date of another citation or other special reason (as specified)                  *O* document referring to an oral disclosure, use, exhibition or other means                  *P* document published prior to the international filing date but later than the priority date claimed             </td> <td style="width: 50%; border: none; vertical-align: top;">                 *T* later document published after the international filing date or priority date and not in conflict with the application but cited to understand the principle or theory underlying the invention                  *X* document of particular relevance; the claimed invention cannot be considered novel or cannot be considered to involve an inventive step when the document is taken alone                  *Y* document of particular relevance; the claimed invention cannot be considered to involve an inventive step when the document is combined with one or more other such documents, such combination being obvious to a person skilled in the art.                  *&amp;* document member of the same patent family             </td> </tr> </table>			*A* document defining the general state of the art which is not considered to be of particular relevance *E* earlier document but published on or after the international filing date *L* document which may throw doubts on priority claim(s) or which is cited to establish the publication date of another citation or other special reason (as specified) *O* document referring to an oral disclosure, use, exhibition or other means *P* document published prior to the international filing date but later than the priority date claimed	*T* later document published after the international filing date or priority date and not in conflict with the application but cited to understand the principle or theory underlying the invention *X* document of particular relevance; the claimed invention cannot be considered novel or cannot be considered to involve an inventive step when the document is taken alone *Y* document of particular relevance; the claimed invention cannot be considered to involve an inventive step when the document is combined with one or more other such documents, such combination being obvious to a person skilled in the art. *&* document member of the same patent family
*A* document defining the general state of the art which is not considered to be of particular relevance *E* earlier document but published on or after the international filing date *L* document which may throw doubts on priority claim(s) or which is cited to establish the publication date of another citation or other special reason (as specified) *O* document referring to an oral disclosure, use, exhibition or other means *P* document published prior to the international filing date but later than the priority date claimed	*T* later document published after the international filing date or priority date and not in conflict with the application but cited to understand the principle or theory underlying the invention *X* document of particular relevance; the claimed invention cannot be considered novel or cannot be considered to involve an inventive step when the document is taken alone *Y* document of particular relevance; the claimed invention cannot be considered to involve an inventive step when the document is combined with one or more other such documents, such combination being obvious to a person skilled in the art. *&* document member of the same patent family			
Date of the actual completion of the international search	Date of mailing of the international search report			
6 August 2004	20/08/2004			
Name and mailing address of the ISA	Authorized officer			
European Patent Office, P.B. 5818 Patentlaan 2 NL - 2280 HV Rijswijk Tel. (+31-70) 340-2040, Tx. 31 651 epo nl, Fax: (+31-70) 340-3016	Kuehne, H-C			

# INTERNATIONAL SEARCH REPORT

International Application No PCT/GB 03/03763
-------------------------------------------------

C.(Continuation) DOCUMENTS CONSIDERED TO BE RELEVANT		
Category °	Citation of document, with indication, where appropriate, of the relevant passages	Relevant to claim No.
A	US 5 062 851 A (BRANEMARK PER-INGVAR) 5 November 1991 (1991-11-05) claims; figures -----	1-33
A	WO 84/04668 A (AMERICAN HOSPITAL SUPPLY CORP) 6 December 1984 (1984-12-06) claims; figures -----	1
A	EP 0 524 874 A (HADES) 27 January 1993 (1993-01-27) claims; figures -----	1
A	WO 94/13228 A (INT POLYMER ENG INC) 23 June 1994 (1994-06-23) claims; figures -----	1
A	BEEVERS D J ET AL: "METACARPOPHALANGEAL JOINT PROSTHESES: A REVIEW OF PAST AND CURRENT DESIGNS" PROCEEDINGS OF THE INSTITUTION OF MECHANICAL ENGINEERS. JOURNAL OF ENGINEERING IN MEDICINE. PART H, MECHANICAL ENGINEERING PUBLICATIONS LTD, LONDON, GB, vol. 207, no. H04, PART H, 1993, pages 195-206, XP000440767 ISSN: 0954-4119 figures 7,8 -----	1

# INTERNATIONAL SEARCH REPORT

Information on patent family members

International Application No

PCT/GB 03/03763

Patent document cited in search report	A	Publication date	Patent family member(s)	Publication date
EP 0115564	A	15-08-1984	CH 657772 A5	30-09-1986
			AT 27903 T	15-07-1987
			DE 3372169 D1	30-07-1987
			EP 0115564 A1	15-08-1984
US 3462765	A	26-08-1969	AT 282049 B	10-06-1970
			BE 708942 A	04-07-1968
			DE 1616142 B1	04-05-1972
			FR 1550013 A	13-12-1968
			GB 1192960 A	28-05-1970
			NL 132715 C	
			NL 6800162 A	08-07-1968
			SE 322864 B	20-04-1970
FR 2724309	A	15-03-1996	FR 2724309 A1	15-03-1996
US 5534033	A	09-07-1996	NONE	
US 5062851	A	05-11-1991	SE 466936 B	04-05-1992
			AT 101330 T	15-02-1994
			AU 642353 B2	14-10-1993
			AU 2073892 A	01-10-1992
			AU 630183 B2	22-10-1992
			AU 5329790 A	01-11-1990
			BR 9001906 A	30-07-1991
			CA 1326739 C	08-02-1994
			CA 1334884 C	28-03-1995
			CN 1047025 A ,B	21-11-1990
			CS 9002008 A2	13-08-1991
			DD 301734 A9	02-09-1993
			DE 59004539 D1	24-03-1994
			DK 396519 T3	13-06-1994
			EP 0396519 A1	07-11-1990
			ES 2018769 T3	16-06-1994
			FI 103865 B1	15-10-1999
			JP 2552752 B2	13-11-1996
			JP 3001854 A	08-01-1991
			KR 9707086 B1	02-05-1997
			MX 173835 B	30-03-1994
			NO 901808 A ,B,	26-10-1990
			SE 8901508 A	26-10-1990
			SK 279513 B6	02-12-1998
			RU 2069548 C1	27-11-1996
			US 5108443 A	28-04-1992
			US 5176709 A	05-01-1993
US 5171284 A	15-12-1992			
ZA 9003084 A	27-02-1991			
WO 8404668	A	06-12-1984	AU 2969384 A	18-12-1984
			CA 1229203 A1	17-11-1987
			EP 0147431 A1	10-07-1985
			IT 1179175 B	16-09-1987
			JP 60501396 T	29-08-1985
			WO 8404668 A1	06-12-1984
EP 0524874	A	27-01-1993	FR 2679440 A1	29-01-1993
			EP 0524874 A1	27-01-1993

# INTERNATIONAL SEARCH REPORT

Information on patent family members

International Application No

PCT/GB 03/03763

Patent document cited in search report	Publication date	Patent family member(s)	Publication date
WO 9413228	A	23-06-1994	
		AT 208593 T	15-11-2001
		AU 677277 B2	17-04-1997
		AU 5802794 A	04-07-1994
		CA 2151917 A1	23-06-1994
		DE 69331147 D1	20-12-2001
		DE 69331147 T2	21-03-2002
		DK 674495 T3	11-03-2002
		EP 0674495 A1	04-10-1995
		WO 9413228 A1	23-06-1994
		US 5480447 A	02-01-1996

---