



US00D508809S

(12) **United States Design Patent**
Palardis

(10) **Patent No.:** **US D508,809 S**

(45) **Date of Patent:** **** Aug. 30, 2005**

(54) **NOVELTY TIRE SEAT CUSHION**

(76) **Inventor:** **Charles S. Palardis**, 213 W. Fern St.,
Tampa, FL (US) 33604

(**) **Term:** **14 Years**

(21) **Appl. No.:** **29/209,675**

(22) **Filed:** **Jul. 20, 2004**

(51) **LOC (8) Cl.** **06-09**

(52) **U.S. Cl.** **D6/597; D6/601**

(58) **Field of Search** D6/595-601, 604,
D6/605, 611, 588, 368, 358, 501, 502;
D3/271.11, 271.12; 297/284.4-284.6, 452.26,
452.21, 452.48, 350, DIG. 1, 219.1, 219.12;
5/653, 654, 655, 655.3, 655.5, 655.9, 656,
657, 490, 907, 417-420, 632, 633, 636,
640, 644, 648

(56) **References Cited**

U.S. PATENT DOCUMENTS

D79,587 S	*	10/1929	Forst	D6/368
D110,708 S	*	8/1938	Nelson	D6/502
D231,879 S	*	6/1974	Veillette	D6/358
D255,743 S	*	7/1980	Randall	D6/596
D277,719 S	*	2/1985	Spaneas	D6/596
D282,036 S	*	1/1986	Ritchie et al.	D6/601

D312,741 S	*	12/1990	Treadwell	D6/601
5,067,771 A	*	11/1991	Ellis	297/378.1
D355,077 S	*	2/1995	Tegner	D6/334
D394,156 S	*	5/1998	Melanson et al.	D3/271.12
D427,791 S	*	7/2000	Peterson	D6/349
D428,269 S	*	7/2000	Peterson	D6/349
D431,136 S	*	9/2000	Palardis	D6/500

* cited by examiner

Primary Examiner—Lucy Lieberman

(74) *Attorney, Agent, or Firm*—David W. Pettis Jr., P.A.

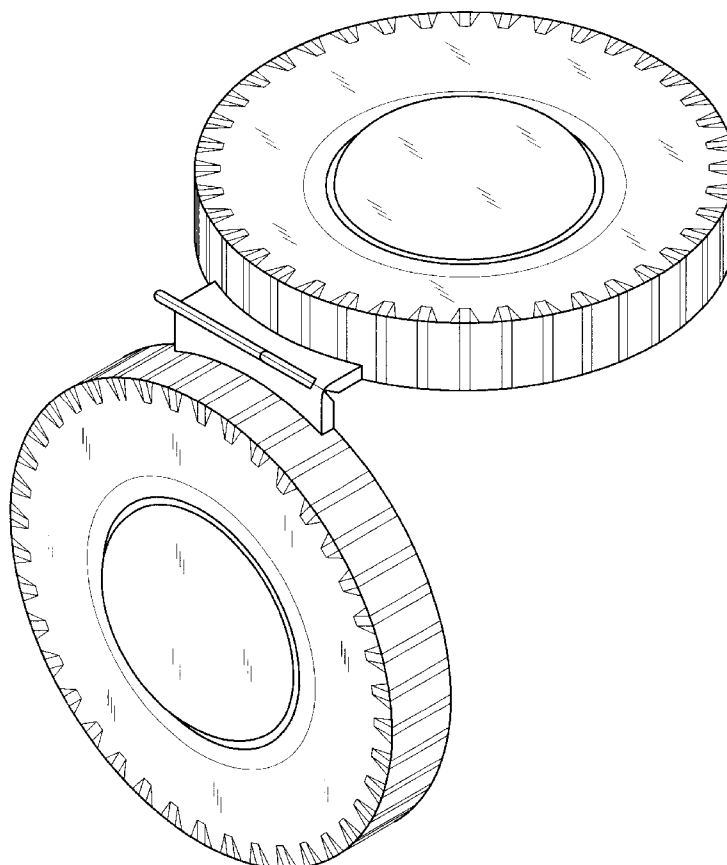
(57) **CLAIM**

The ornamental design for a novelty tire seat cushion, as shown and described.

DESCRIPTION

FIG. 1 is a bottom perspective view of the novelty tire seat cushion of this invention;
 FIG. 2 is a bottom plan view of the novelty tire seat cushion shown in a different position;
 FIG. 3 is a right side view thereof, the left elevational view being a mirror image;
 FIG. 4 is a top plan view thereof; and,
 FIG. 5 is a front elevational view thereof, the rear elevational view being a mirror image.

1 Claim, 3 Drawing Sheets



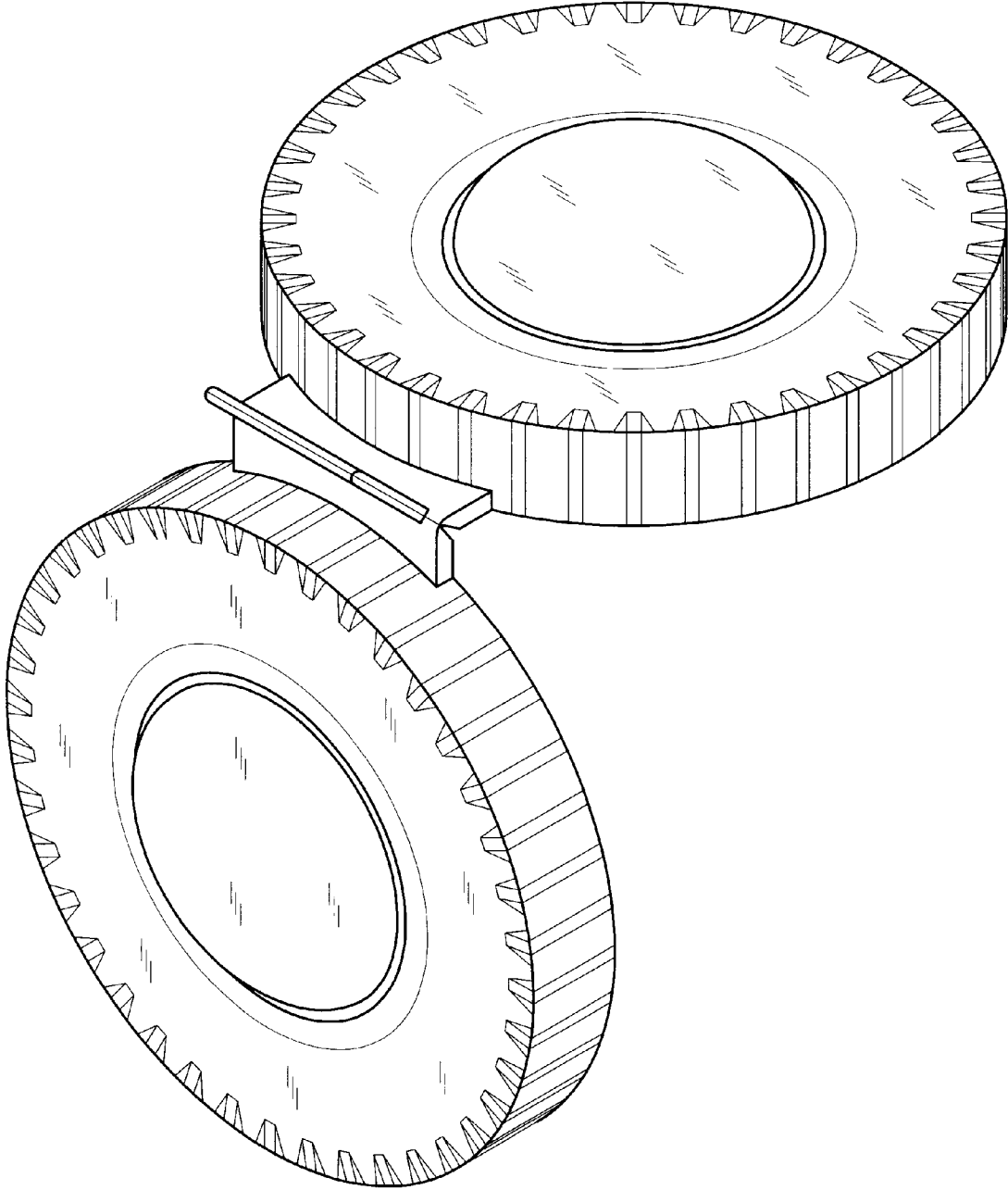


FIG. 1

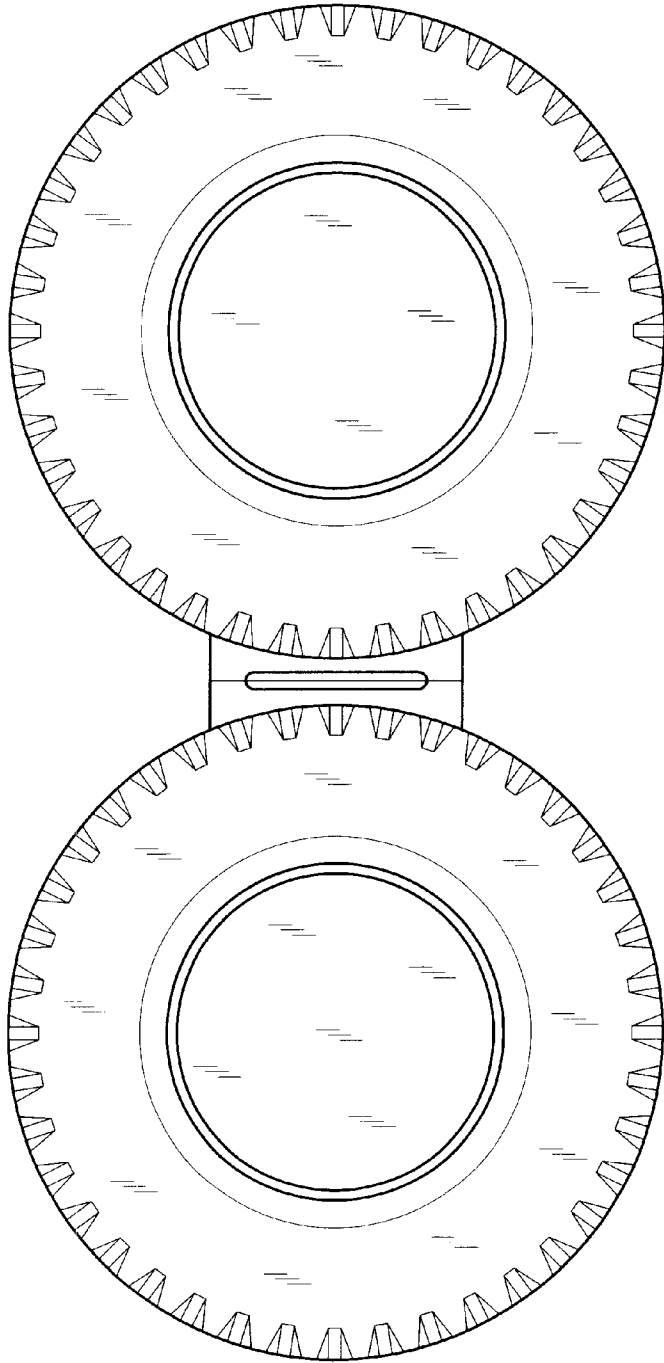


FIG. 2

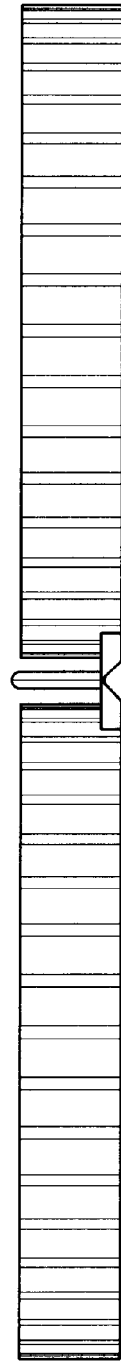


FIG. 3

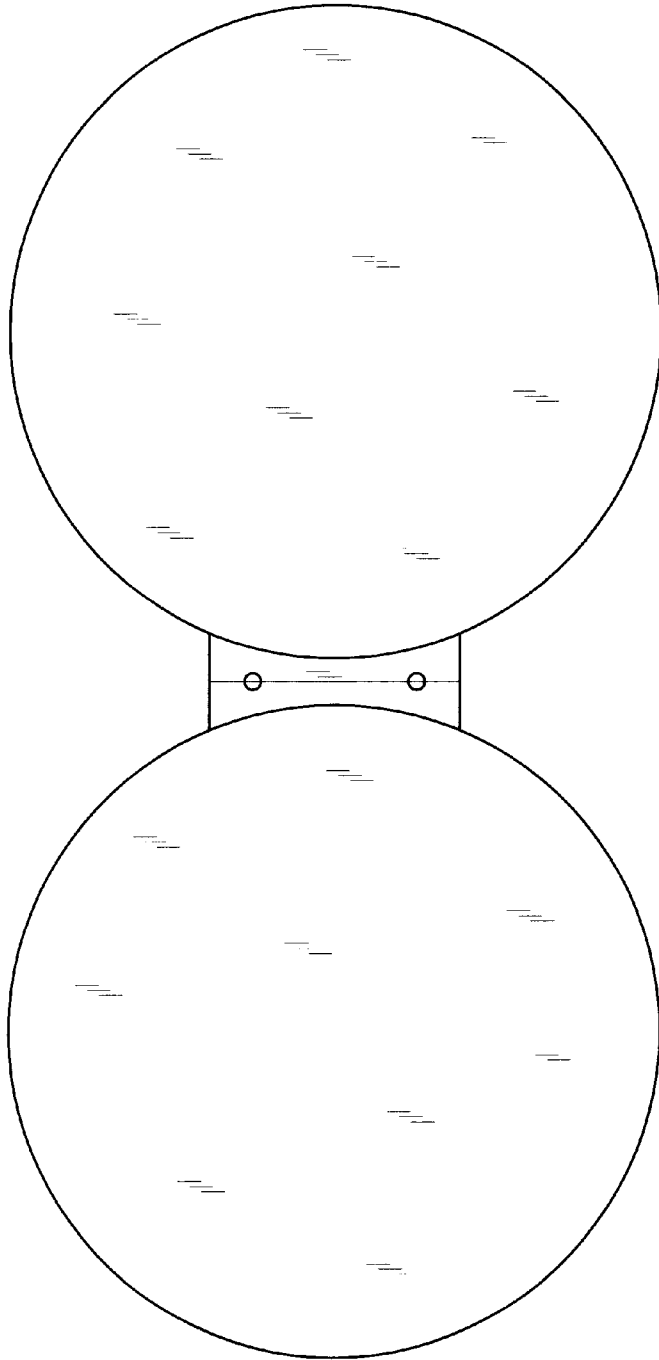


FIG. 4

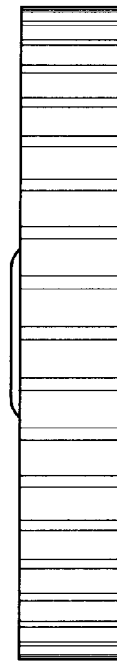


FIG. 5