



US00D697145S

(12) **United States Design Patent**  
**Wong**

(10) **Patent No.:** **US D697,145 S**

(45) **Date of Patent:** **\*\* Jan. 7, 2014**

(54) **FLYING TOY**

(71) Applicant: **Spin Master Ltd.**, Toronto (CA)

(72) Inventor: **Tat Wah Wong**, Shatin (HK)

(73) Assignee: **Spin Master Ltd.**, Toronto (CA)

(\*\*) Term: **14 Years**

(21) Appl. No.: **29/444,420**

(22) Filed: **Jan. 30, 2013**

(30) **Foreign Application Priority Data**

Nov. 23, 2012 (CA) ..... 148698

(51) **LOC (10) Cl.** ..... **21-01**

(52) **U.S. Cl.**  
USPC ..... **D21/436; D21/442; D21/498**

(58) **Field of Classification Search**  
USPC ..... D21/436, 437, 430, 441, 442, 443, 444,  
D21/447, 450, 451, 453, 498, 502;  
D12/16.1, 319, 320, 325, 326, 327,  
D12/328, 329, 345; 244/2, 5, 6, 7 A, 7 R,  
244/12.1, 158.1-158.3, 12.2, 17.11, 17.19,  
244/17.23, 17.25, 17.27, 17.17, 23 C, 30,  
244/31; 446/36, 37, 46-48, 230, 231, 232,  
446/233, 236; 280/1.12; D30/160; 180/7.4;  
312/352; 119/707

See application file for complete search history.

(56) **References Cited**

U.S. PATENT DOCUMENTS

2,835,548 A \* 5/1958 Baumann ..... 312/352  
3,204,891 A \* 9/1965 Orville ..... 244/23 R

3,314,628 A \* 4/1967 Myers ..... 244/17.17  
4,065,873 A \* 1/1978 Jones ..... 446/37  
D257,270 S \* 10/1980 Gabriel ..... D21/498  
D257,271 S \* 10/1980 Gabriel ..... D21/498  
4,505,346 A \* 3/1985 Mueller ..... 180/7.4  
5,115,998 A \* 5/1992 Olive ..... 244/31  
5,645,248 A \* 7/1997 Campbell ..... 244/30  
5,683,060 A \* 11/1997 Iturralde ..... 244/23 C  
6,651,590 B2 \* 11/2003 Willinger et al. .... 119/707  
6,843,699 B2 \* 1/2005 Davis ..... 446/37  
6,976,653 B2 \* 12/2005 Perlo et al. .... 244/12.2  
7,108,228 B1 \* 9/2006 Marshall ..... 244/158.1  
7,273,195 B1 \* 9/2007 Gollhofer ..... 244/17.11  
D563,609 S \* 3/2008 Gick ..... D30/160  
7,416,466 B2 \* 8/2008 Isawa ..... 446/37  
D588,209 S \* 3/2009 Shimizu ..... D21/502  
8,033,498 B2 \* 10/2011 Blackburn ..... 244/17.23  
8,109,802 B2 \* 2/2012 Chui et al. .... 446/36  
2007/0012818 A1 \* 1/2007 Miyazawa et al. .... 244/17.25

\* cited by examiner

*Primary Examiner* — Caron D Veynar

*Assistant Examiner* — Martie K Holtje

(74) *Attorney, Agent, or Firm* — Harris Beach PLLC

(57) **CLAIM**

The ornamental design for a flying toy, as shown and described.

**DESCRIPTION**

FIG. 1 is a perspective view of the flying toy;  
FIG. 2 is a front view of the flying toy shown in FIG. 1;  
FIG. 3 is a rear view of the flying toy shown in FIG. 1;  
FIG. 4 is a right side view of the flying toy shown in FIG. 1;  
FIG. 5 is a left side view of the flying toy shown in FIG. 1;  
FIG. 6 is a top view of the flying toy shown in FIG. 1; and  
FIG. 7 is a bottom view of the flying toy shown in FIG. 1.

**1 Claim, 7 Drawing Sheets**

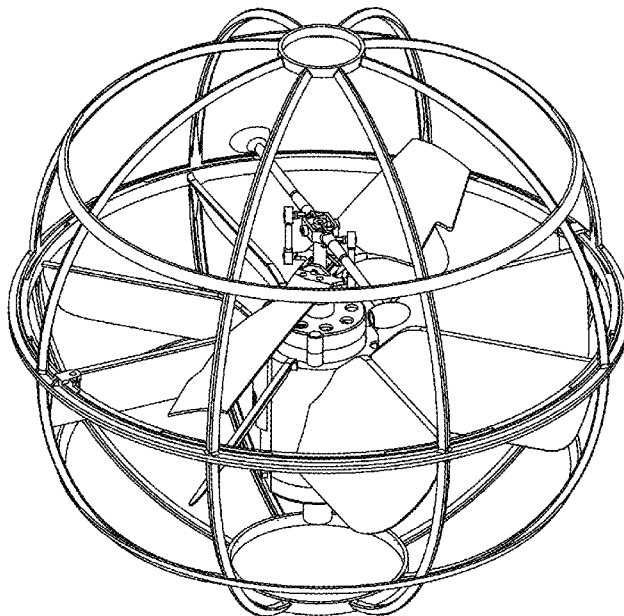


FIG. 1

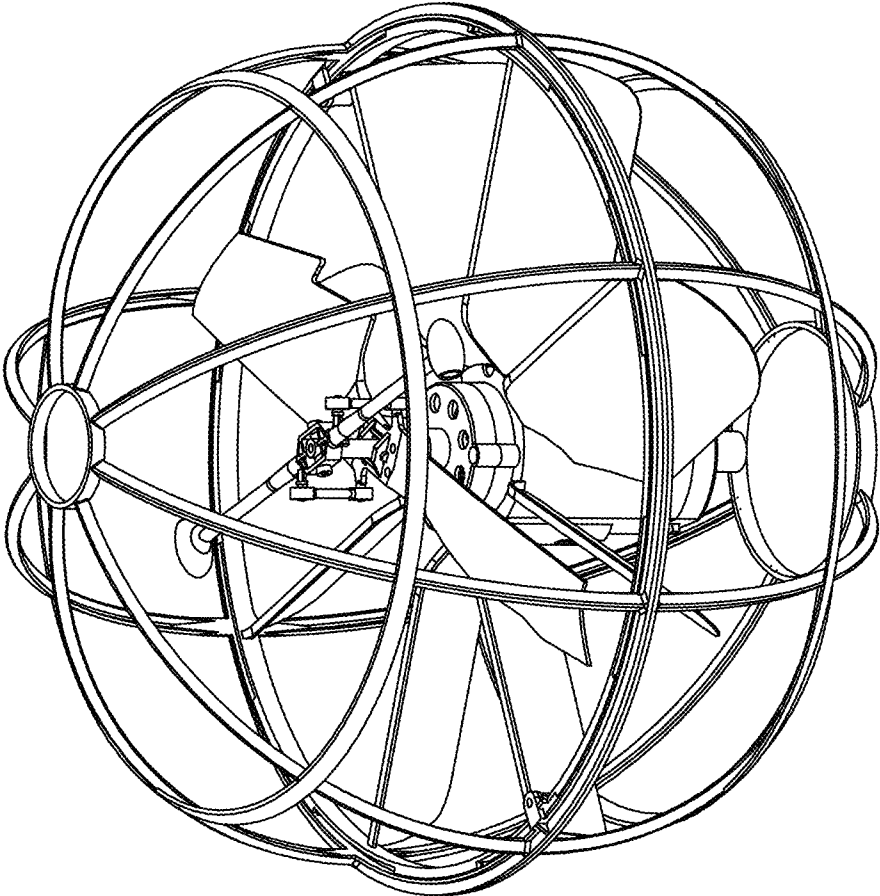


FIG. 2

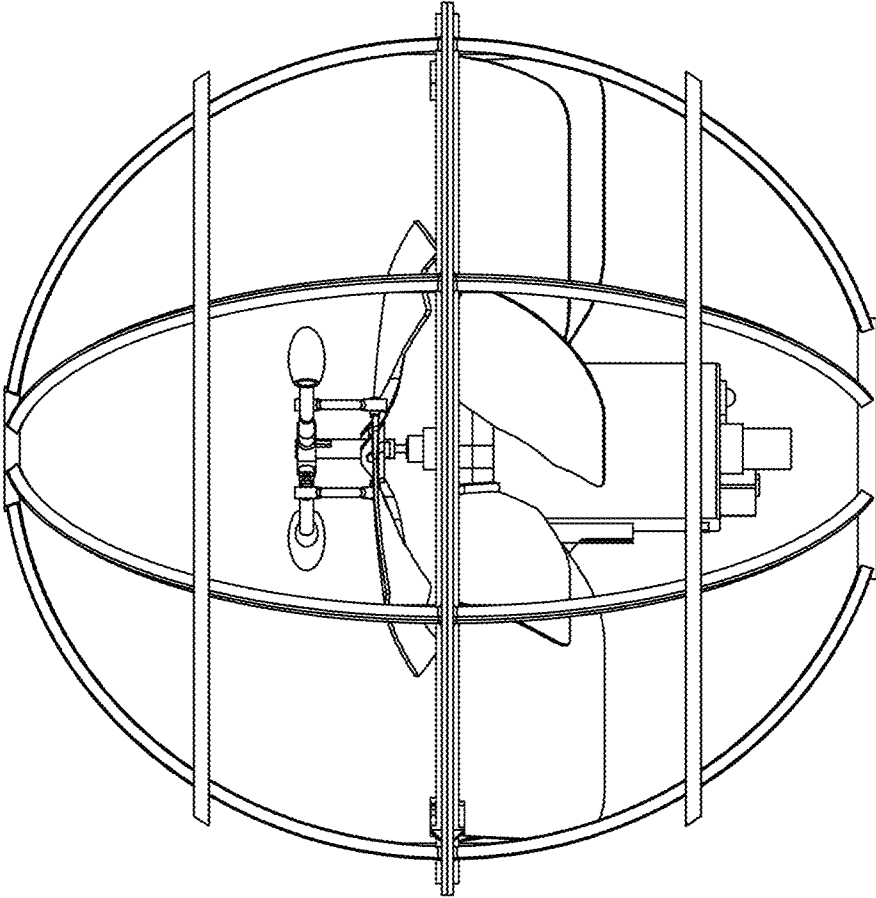
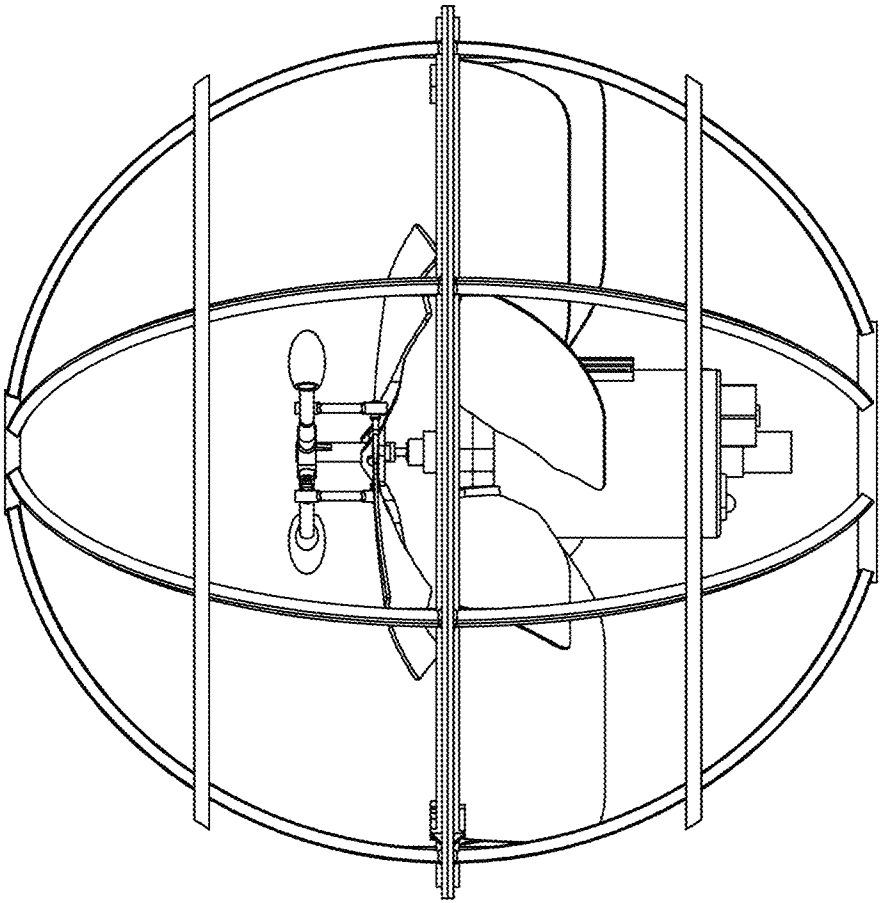


FIG. 3



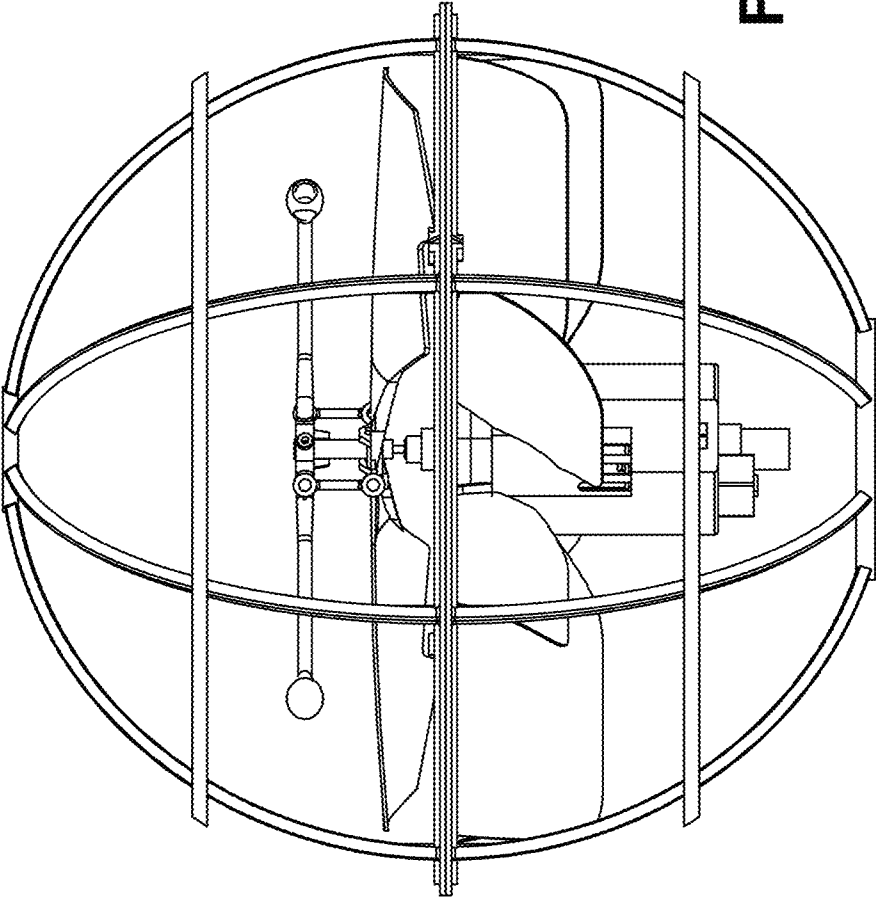


FIG. 4

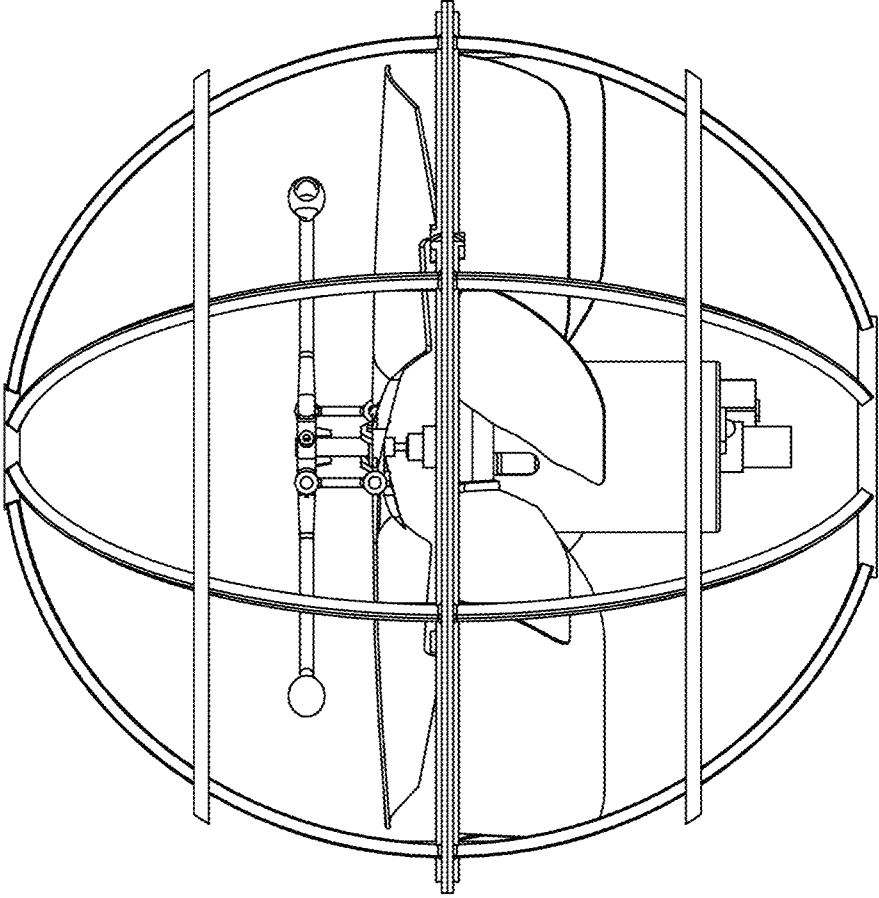


FIG. 5

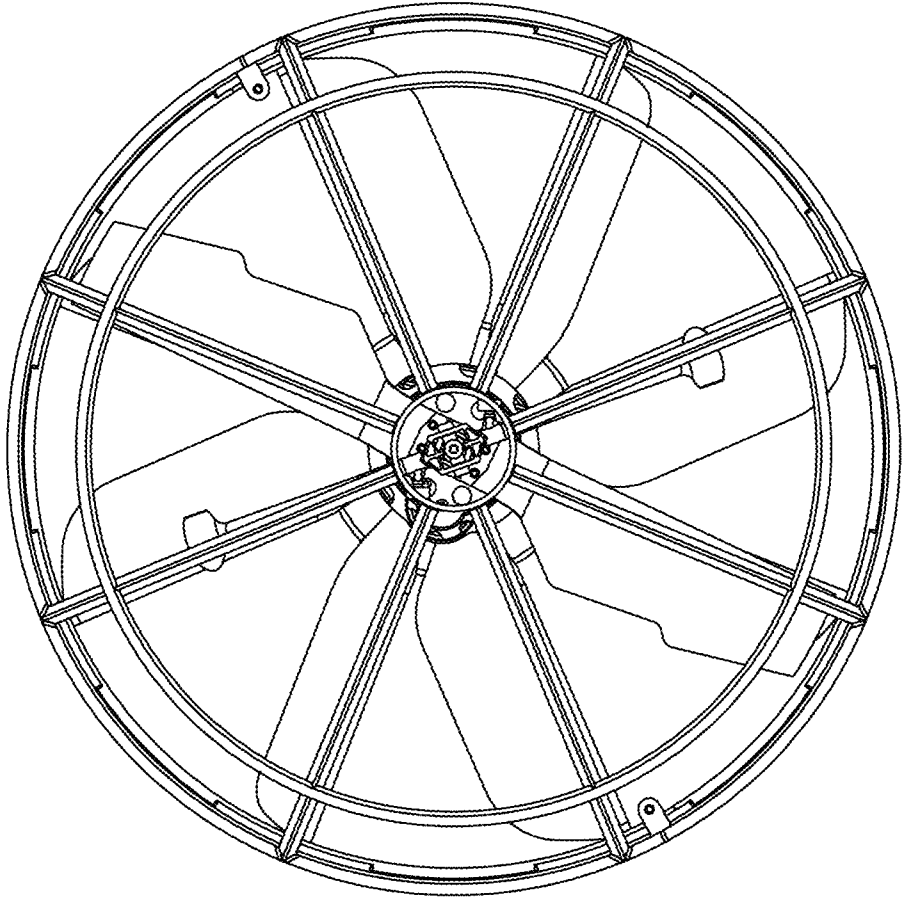


FIG. 6

FIG. 7

