



US00D844557S

(12) **United States Design Patent**  
**Wang**

(10) **Patent No.:** **US D844,557 S**

(45) **Date of Patent:** **\*\* Apr. 2, 2019**

(54) **LIGHTING BATTERY**

(71) Applicant: **SHEN ZHEN ORIENTAL VISION BATTERY CO., LTD**, Shenzhen (CN)

(72) Inventor: **Kunli Wang**, Meitan (CN)

(\*\*) Term: **15 Years**

(21) Appl. No.: **29/629,351**

(22) Filed: **Dec. 13, 2017**

(51) **LOC (11) Cl.** ..... **13-02**

(52) **U.S. Cl.**  
USPC ..... **D13/103**

(58) **Field of Classification Search**  
USPC ..... D13/102-108, 110, 118, 119, 184, 199  
CPC .... Y02E 60/12; Y02E 60/122; Y02E 60/124;  
Y02E 60/50; H01M 2/02; H01M 2/022;  
H01M 2/0202; H01M 2/0207; H01M  
2/0212; H01M 2/1061; H01M 2/1022;  
H01M 2/1055; H01M 2/1066; H01M  
2/105; H01M 2/204; H01M 10/4257;  
H01M 10/0436; H01M 10/48  
See application file for complete search history.

(56) **References Cited**

**U.S. PATENT DOCUMENTS**

D413,858 S *	9/1999	Murakami	.....	D13/103
D427,142 S *	6/2000	Luh	.....	D13/103
D428,385 S *	7/2000	Luh	.....	D13/103
D459,297 S *	6/2002	Searle	.....	D13/103
D481,993 S *	11/2003	Searle	.....	D13/103
D495,819 S *	9/2004	Krieger	.....	D26/104
D539,216 S *	3/2007	Hamaguchi	.....	D13/103
D550,612 S *	9/2007	Harada	.....	D13/103
D551,616 S *	9/2007	Shimizu	.....	D13/103
D577,333 S *	9/2008	Daniel	.....	D13/103
D593,488 S *	6/2009	Harrison	.....	D13/103
D598,374 S *	8/2009	Sasada	.....	D13/108
D664,092 S *	7/2012	Gea Suarez	.....	D13/103
D670,244 S *	11/2012	Workman	.....	D13/110
D685,735 S *	7/2013	Wang	.....	D13/110

D686,155 S *	7/2013	Nguyen	.....	D13/103
D762,564 S *	8/2016	Patton	.....	D13/103
D774,452 S *	12/2016	Rost	.....	D13/103
D780,115 S *	2/2017	Huang	.....	D13/107
9,793,572 B2 *	10/2017	Lee	.....	H01M 10/0431
D822,591 S *	7/2018	Wu	.....	D13/103
2010/0221599 A1 *	9/2010	Sumihiro	.....	H01M 2/027 429/174
2016/0260955 A1 *	9/2016	Jo	.....	H01M 2/30

**OTHER PUBLICATIONS**

Amazon.com: Fenix ARB-L18-3500U. Published Sep. 4, 2017. Retrieved from the internet at <https://www.amazon.com/ARB-L18-3500U-3500mAh-rechargeable-charging-Edisonbright/dp/B071HDP5NZ/>, Oct. 27, 2018. 1 page. (Year: 2017).\*

\* cited by examiner

*Primary Examiner* — Rosemary K Tarcza  
*Assistant Examiner* — Christy M Nemeth  
(74) *Attorney, Agent, or Firm* — W&K IP(Wayne & King)

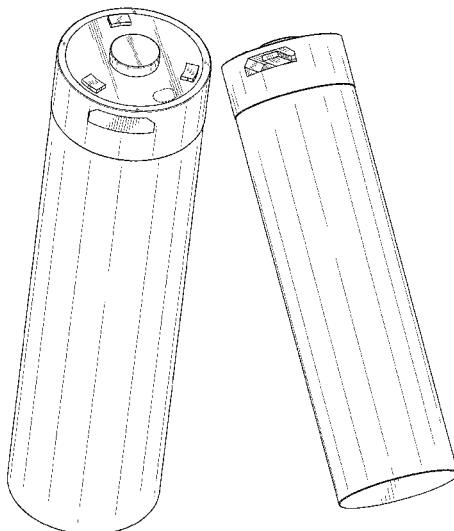
(57) **CLAIM**

The ornamental design for a lighting battery, as shown and described.

**DESCRIPTION**

FIG. 1 is a top perspective view of a lighting battery showing my new design;  
FIG. 2 is a bottom perspective view thereof;  
FIG. 3 is a front view thereof;  
FIG. 4 is a rear view thereof;  
FIG. 5 is a left side view thereof;  
FIG. 6 is a right side view thereof;  
FIG. 7 is a top view thereof; and,  
FIG. 8 is a bottom view thereof.  
The broken lines in the drawings are for the purpose of illustrating portions of the lighting battery that form no part of the claimed design.

**1 Claim, 8 Drawing Sheets**



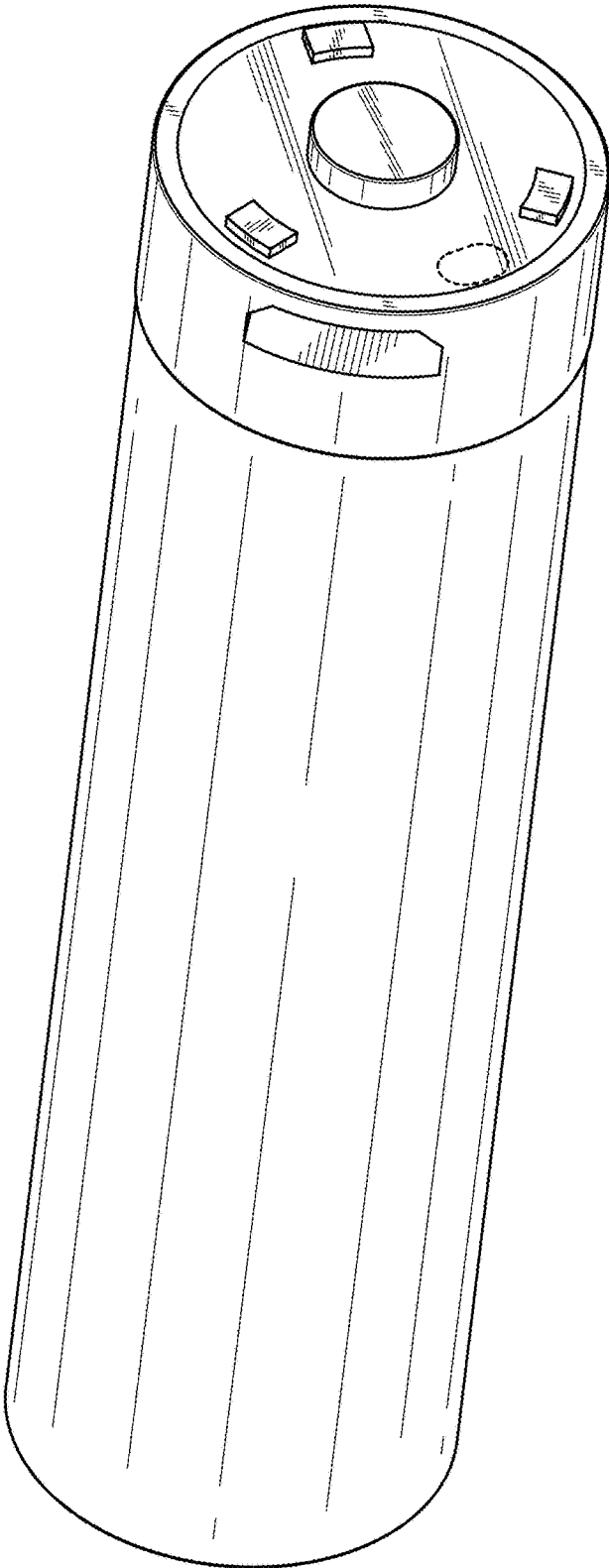


FIG.1

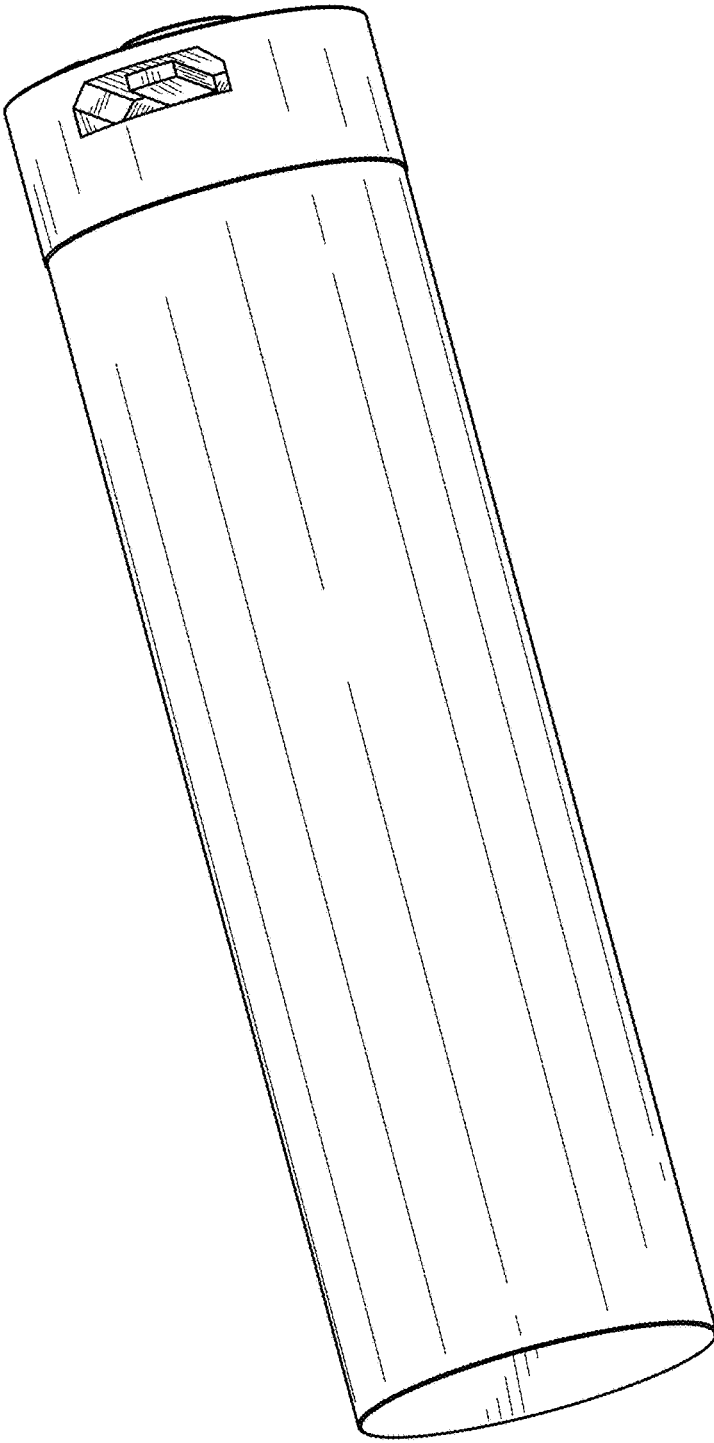


FIG.2

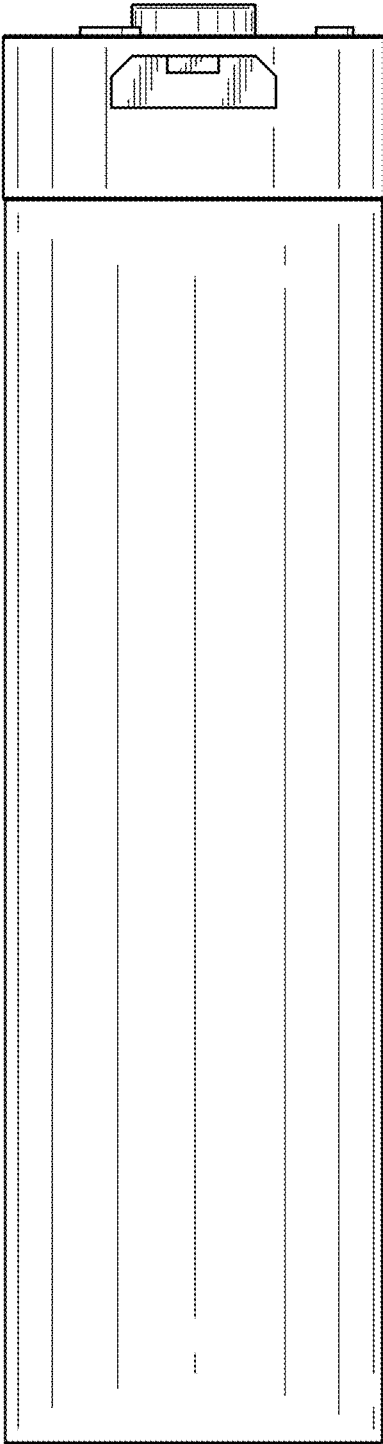


FIG.3

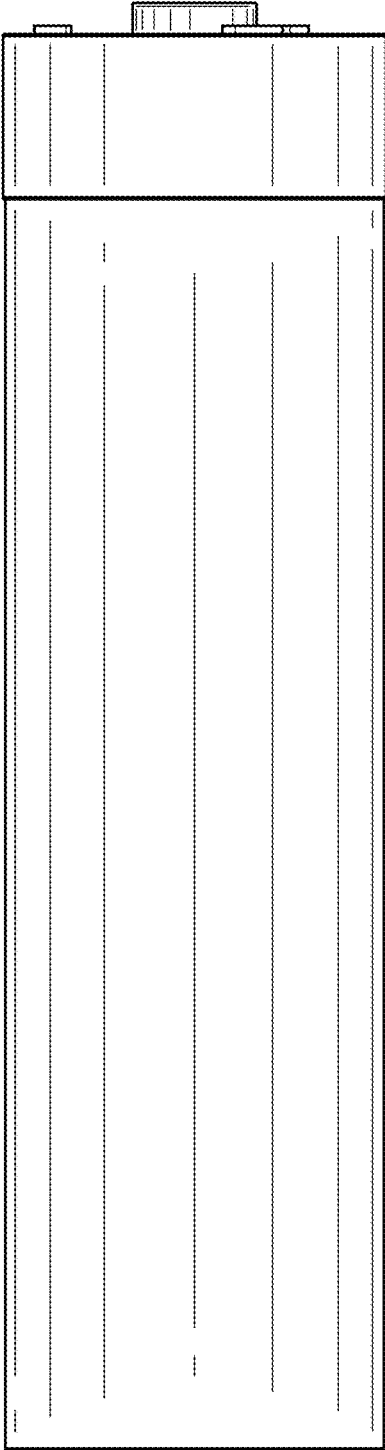


FIG.4

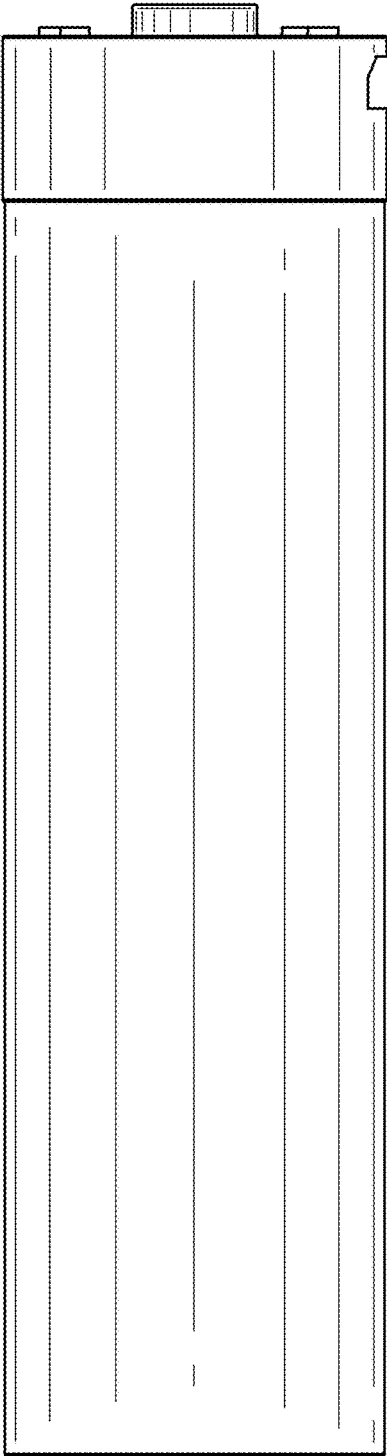


FIG.5

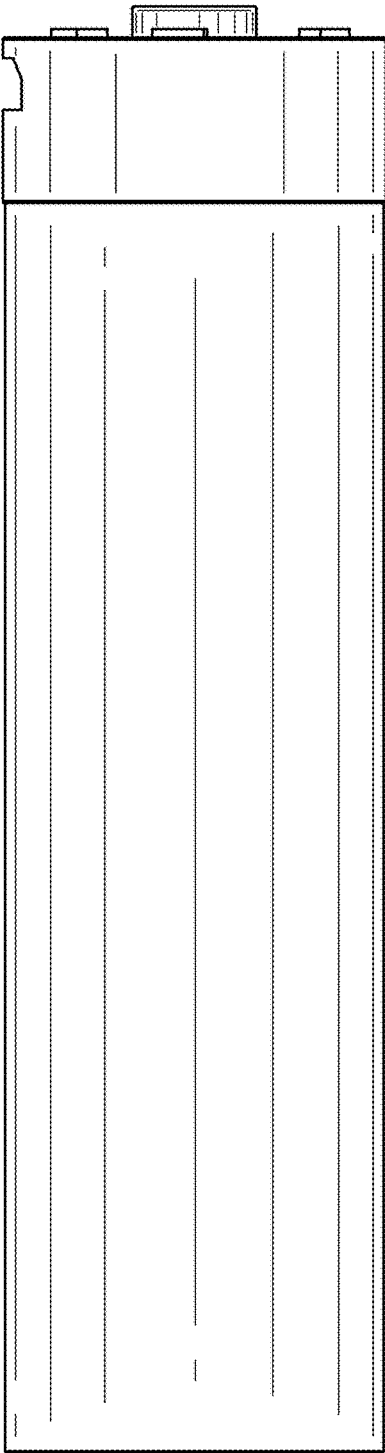


FIG.6

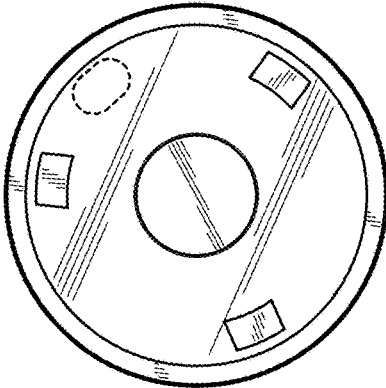


FIG. 7



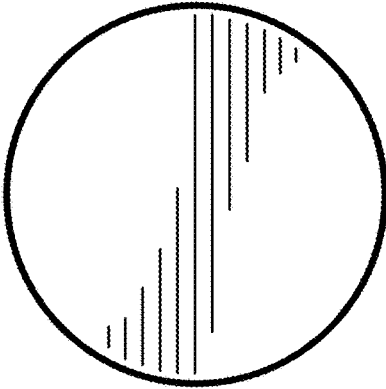


FIG.8