



US00D727432S

(12) **United States Design Patent**  
**Salvatore**

(10) **Patent No.:** **US D727,432 S**

(45) **Date of Patent:** **\*\* Apr. 21, 2015**

- (54) **NOISE MAKER**
- (71) Applicant: **Don Salvatore**, King City (CA)
- (72) Inventor: **Don Salvatore**, King City (CA)
- (\*\*) Term: **14 Years**
- (21) Appl. No.: **29/500,088**
- (22) Filed: **Aug. 21, 2014**

1,764,982 A	6/1930	Reich et al.	
1,840,773 A	1/1932	Felgner	
D151,599 S	11/1948	Colm	
4,454,204 A	6/1984	Posey	
4,976,651 A *	12/1990	Frank	446/421
D338,930 S	8/1993	Matchett et al.	
D364,653 S	11/1995	Boden	
D364,654 S	11/1995	Boden	
D422,646 S	4/2000	Palardis et al.	
D440,252 S	4/2001	Cohen	
D459,382 S	6/2002	Cohen	
D459,749 S	7/2002	Cohen	
D463,482 S *	9/2002	Cohen	D17/22
6,736,695 B1	5/2004	Hoch	

**Related U.S. Application Data**

- (62) Division of application No. 29/427,029, filed on Jul. 12, 2012, now Pat. No. Des. 714,395.

**Foreign Application Priority Data**

- May 10, 2012 (CA) ..... 145650
- (51) **LOC (10) Cl.** ..... **21-01**
- (52) **U.S. Cl.**  
USPC ..... **D21/405**

- (58) **Field of Classification Search**  
USPC ..... D21/398, 405-408; D17/22, 24, 99;  
D20/29, 41, 99; D10/116.1, 118,  
D10/119.4; 446/81, 265, 266, 397,  
446/418-422, 487; 84/402-404  
See application file for complete search history.

**References Cited**

**U.S. PATENT DOCUMENTS**

13,823 A	11/1855	McCord	
174,704 A	3/1876	Rice	
298,575 A *	5/1884	Goodfellow	446/265
D21,764 S	8/1892	Crandall	
759,003 A *	5/1904	McCann	446/420
1,173,141 A	2/1916	Bartholomae	
1,374,644 A	4/1921	Folkush	
1,693,140 A	11/1928	Dietze, Jr.	

(Continued)

**FOREIGN PATENT DOCUMENTS**

GB	2054967	7/1996
JP	D1067598	* 12/2001

*Primary Examiner* — Catherine Tuttle  
(74) *Attorney, Agent, or Firm* — Wolf, Greenfield & Sacks, P.C.

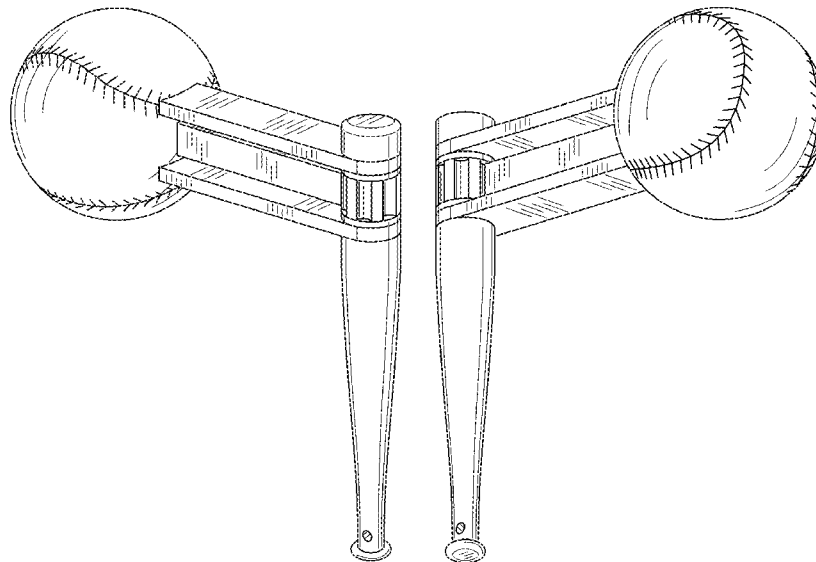
(57) **CLAIM**

The ornamental design for the noise maker, as shown and described.

**DESCRIPTION**

FIG. 1 is a front, right and top perspective view of a noise maker showing my new design;  
FIG. 2 is a rear, left and bottom perspective view thereof;  
FIG. 3 is a front elevation view thereof;  
FIG. 4 is a right side elevation view thereof;  
FIG. 5 is a rear elevation view thereof;  
FIG. 6 is a left side elevation view thereof;  
FIG. 7 is a top plan view thereof; and,  
FIG. 8 is a bottom plan view thereof.

**1 Claim, 4 Drawing Sheets**

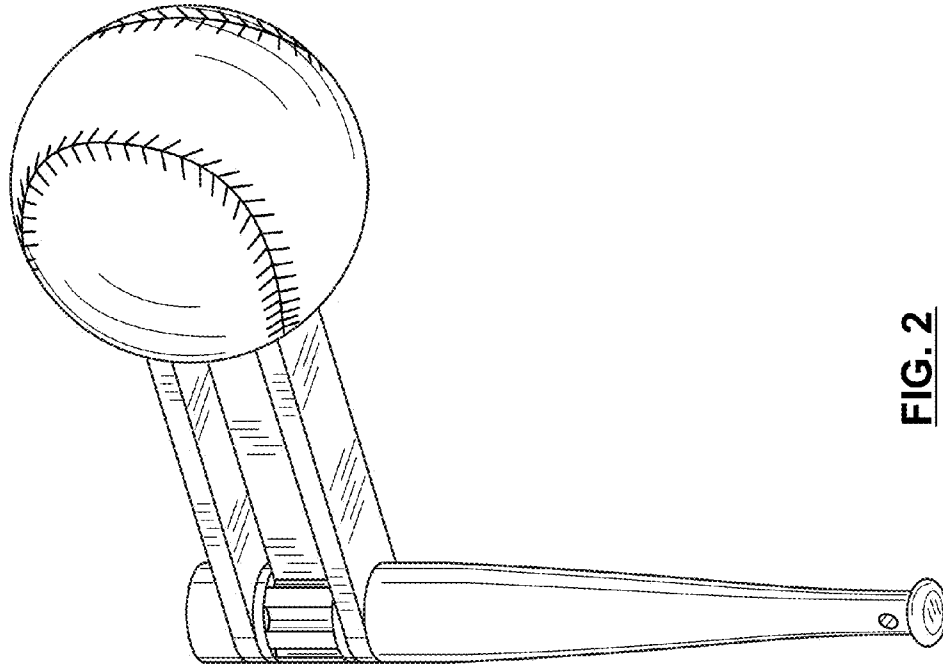


(56)

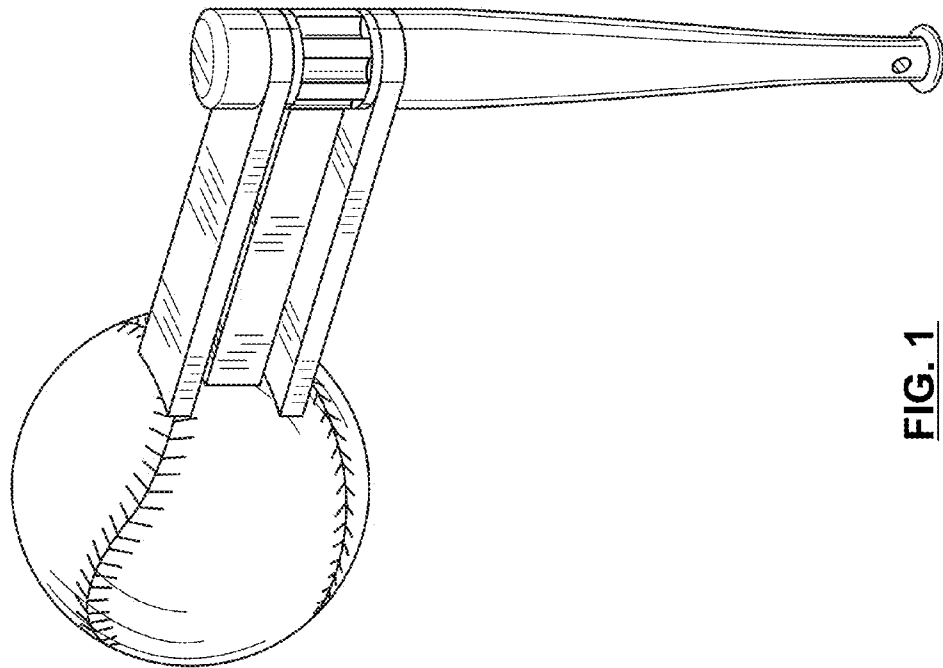
**References Cited**

U.S. PATENT DOCUMENTS

6,817,922	B1	11/2004	Davies				
D546,898	S	7/2007	Cooper				
7,361,074	B1*	4/2008	Periman et al. ....	446/242			
D598,057	S	* 8/2009	Garcia .....	D21/405			* cited by examiner
					D636,029	S	* 4/2011 Jarrett .....
							D20/29
							D689,120
						S	* 9/2013 Lochen .....
							D17/10
					2003/0222404	A1*	12/2003 Estrada et al. ....
							273/440
					2006/0166598	A1	7/2006 Hoch



**FIG. 2**



**FIG. 1**

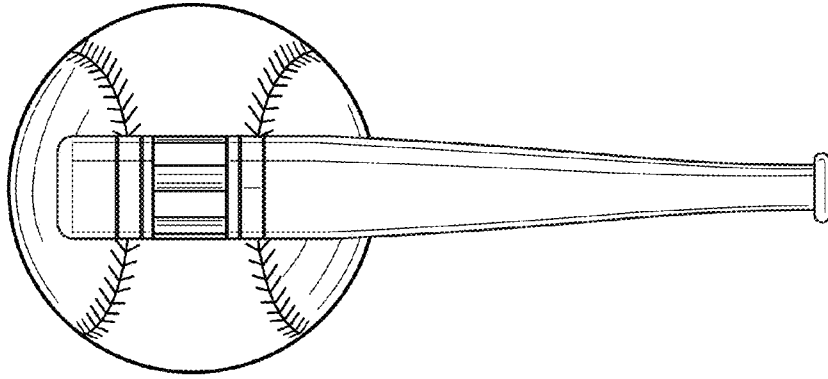


FIG. 4

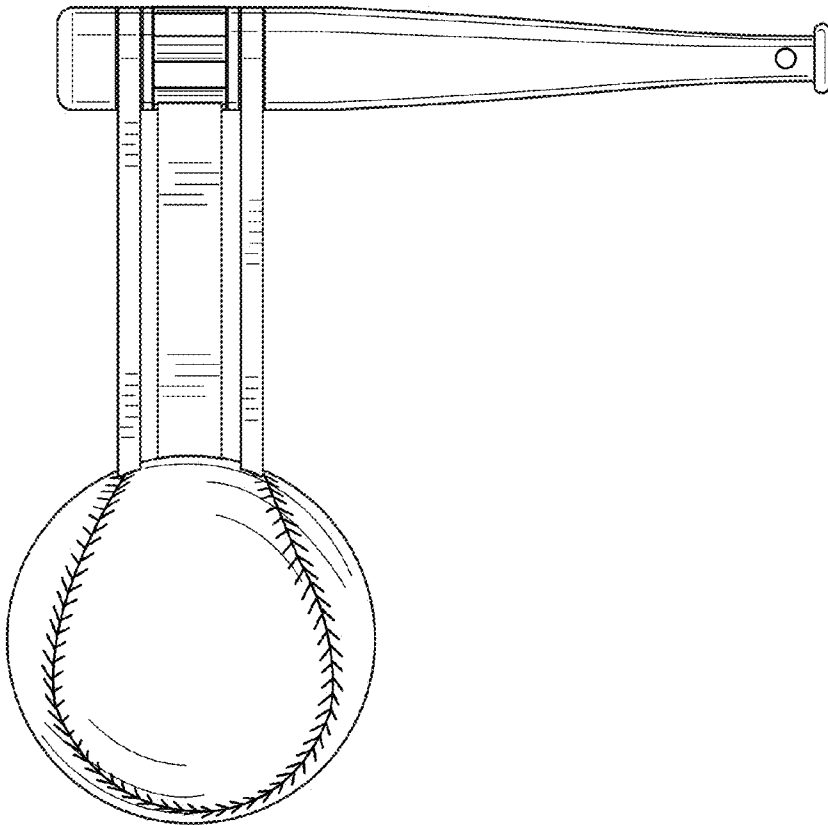
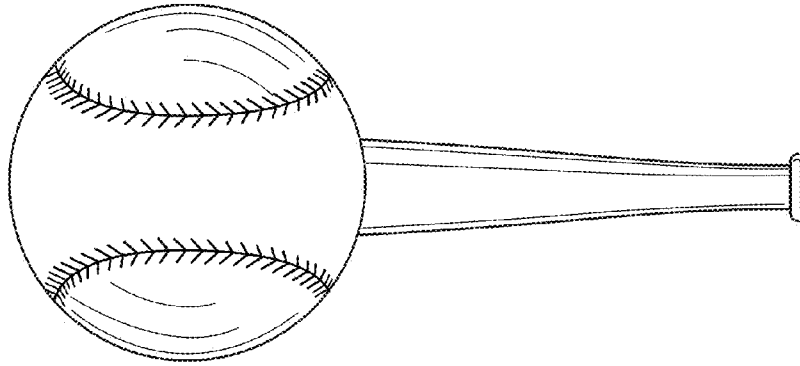
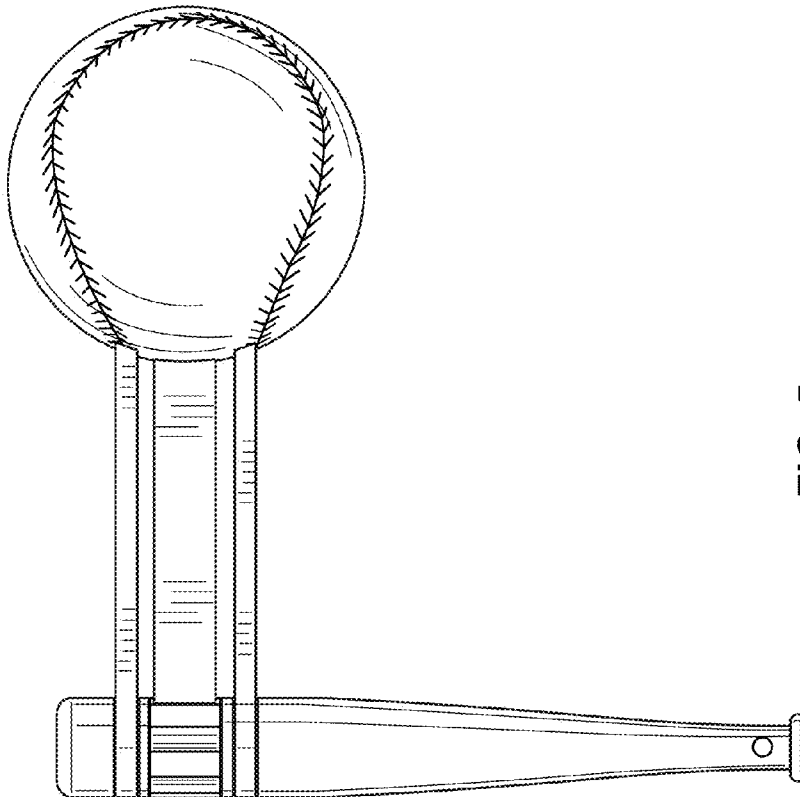


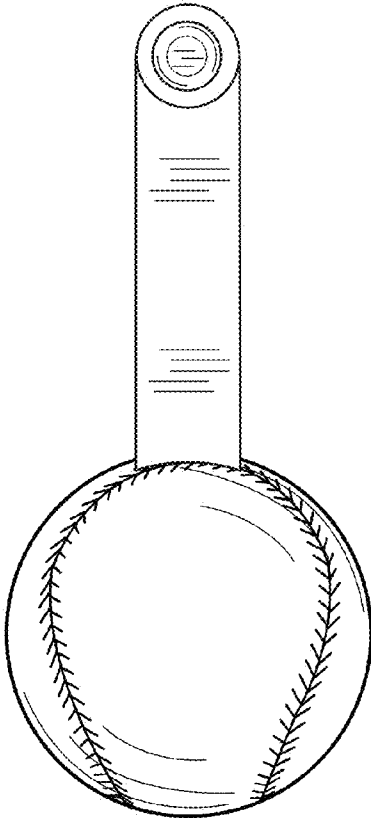
FIG. 3



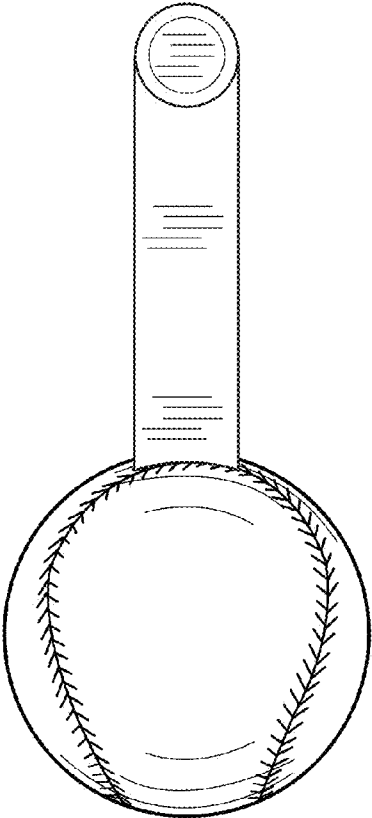
**FIG. 6**



**FIG. 5**



**FIG. 7**



**FIG. 8**