



US00D570348S

(12) **United States Design Patent**
Turpault et al.

(10) **Patent No.:** **US D570,348 S**

(45) **Date of Patent:** **** Jun. 3, 2008**

(54) **READER PLATE**

(75) Inventors: **Mathieu Dominic Turpault**, Berwyn,
PA (US); **John Anastasiadis**, Thornton,
PA (US)

(73) Assignee: **Assa Abloy US Holdings, Inc.**,
Providence, RI (US)

(**) Term: **14 Years**

(21) Appl. No.: **29/249,474**

(22) Filed: **Oct. 9, 2006**

(51) **LOC (8) CL.** **14-02**

(52) **U.S. CL.** **D14/385**

(58) **Field of Classification Search** D14/240,
D14/356-358, 363, 365, 367-370, 383-386,
D14/389, 432, 434, 441, 442; D18/4.1-4.6;
D13/162, 164, 184; 361/684, 686, 728, 747;
235/382, 382.5

See application file for complete search history.

(56) **References Cited**

U.S. PATENT DOCUMENTS

- D228,061 S * 8/1973 Kartarik D8/350
- D377,645 S * 1/1997 Iwamoto et al. D14/385
- 5,807,139 A * 9/1998 Volansky et al. 439/638
- D419,966 S * 2/2000 Mowery et al. D13/184
- D424,028 S * 5/2000 Vaiani D13/184
- D436,596 S * 1/2001 Ito et al. D14/434
- D447,747 S * 9/2001 Ogden et al. D14/370
- D460,443 S * 7/2002 Brunner et al. D14/240
- D461,180 S * 8/2002 Van Egmond et al. D14/240
- D463,411 S * 9/2002 Stokes et al. D14/240
- D476,549 S * 7/2003 Shaw D8/353
- D491,564 S * 6/2004 Chaney et al. D14/435

- D491,953 S * 6/2004 Arakaki et al. D14/453
- D493,169 S * 7/2004 Cheng D14/357
- D493,695 S * 8/2004 Wengrower D8/353
- D509,214 S * 9/2005 Chung D14/240
- D511,527 S * 11/2005 Hernandez et al. D14/495
- D518,451 S * 4/2006 Nussberger et al. D13/184
- D520,500 S * 5/2006 Storti et al. D14/240
- D521,001 S * 5/2006 Xiao et al. D14/356
- D534,057 S * 12/2006 Fields D8/350
- D535,994 S * 1/2007 Leibenguth D14/385
- D537,445 S * 2/2007 Bousfield D14/383
- D540,798 S * 4/2007 Orthey D14/385

* cited by examiner

Primary Examiner—Cathron Brooks

Assistant Examiner—Deanna Fluegeman

(74) *Attorney, Agent, or Firm*—Woodcock Washburn LLP

(57) **CLAIM**

The ornamental design for a reader plate, as shown and described.

DESCRIPTION

FIG. 1 is a front perspective view of a reader plate showing our new design;

FIG. 2 is a front plan view thereof;

FIG. 3 is a side elevational view thereof;

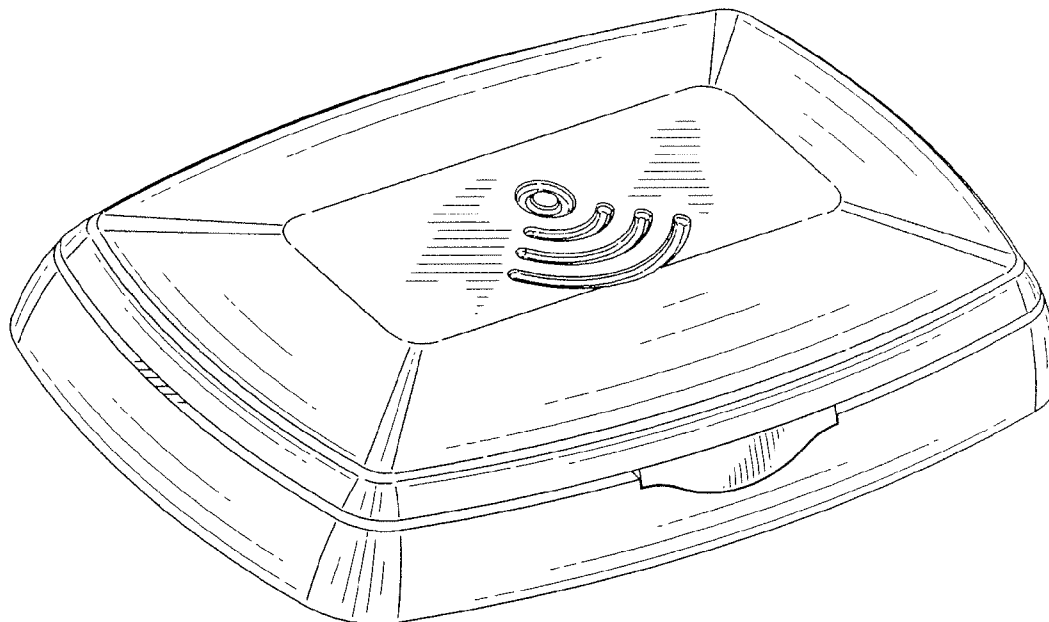
FIG. 4 is a bottom elevational view thereof;

FIG. 5 is a top elevational view thereof; and,

FIG. 6 is a back plan view thereof.

The broken lines define the bounds of the claimed design in the present application, and form no part thereof.

1 Claim, 6 Drawing Sheets



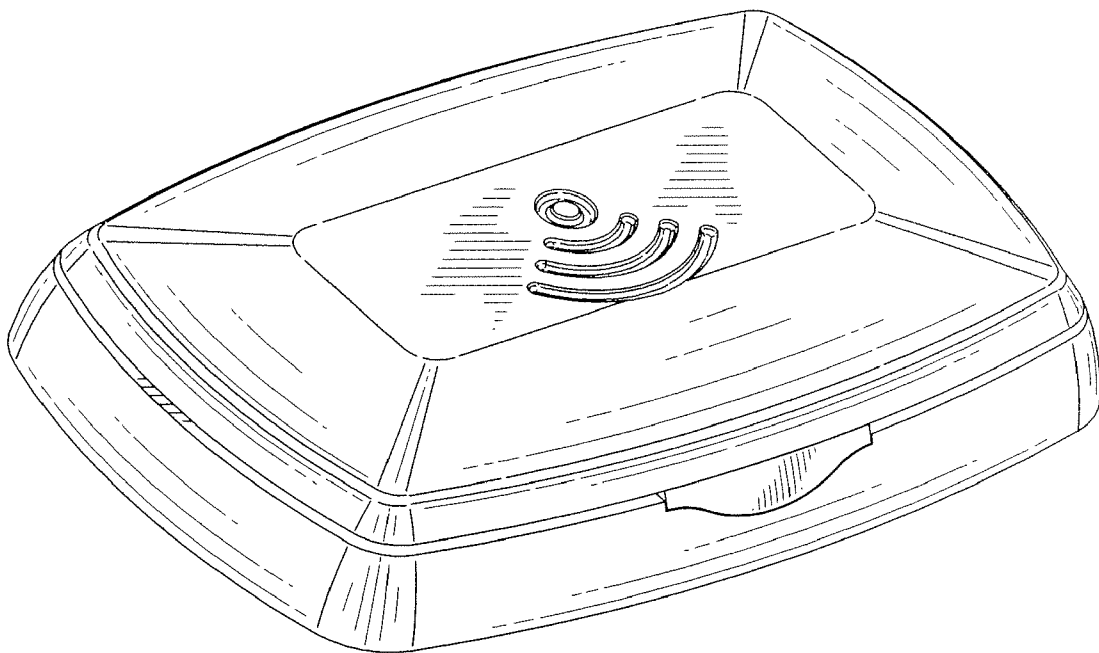


FIG. 1

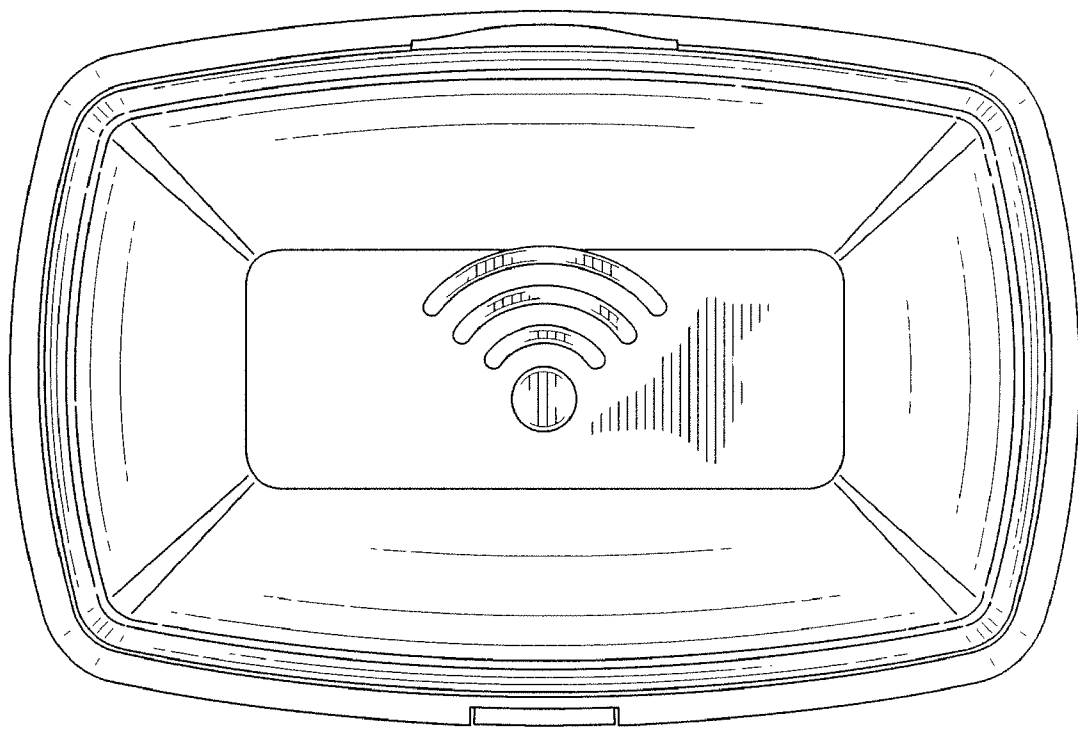


FIG. 2

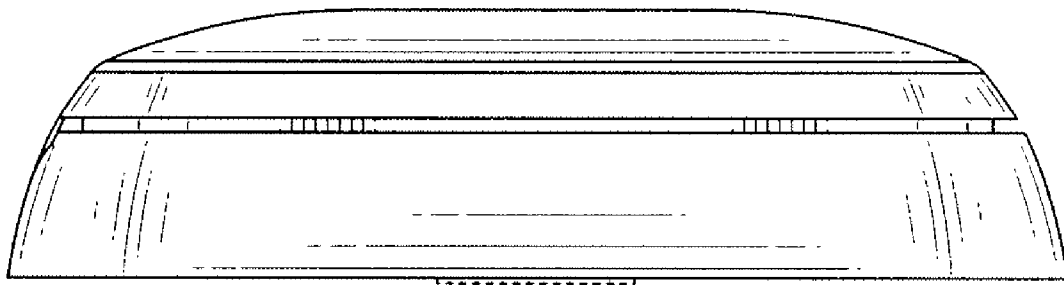


FIG. 3

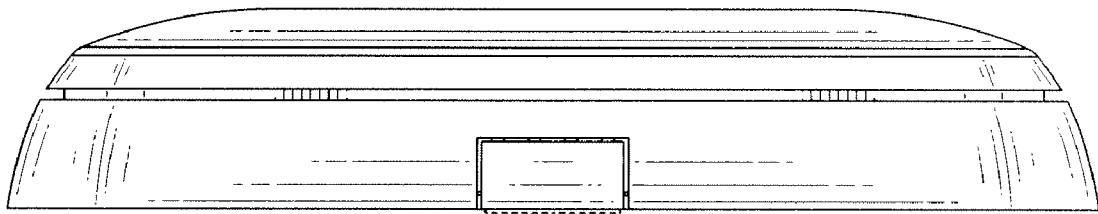


FIG. 4

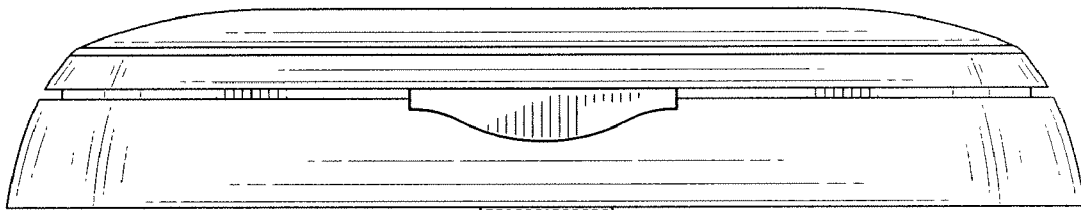


FIG. 5

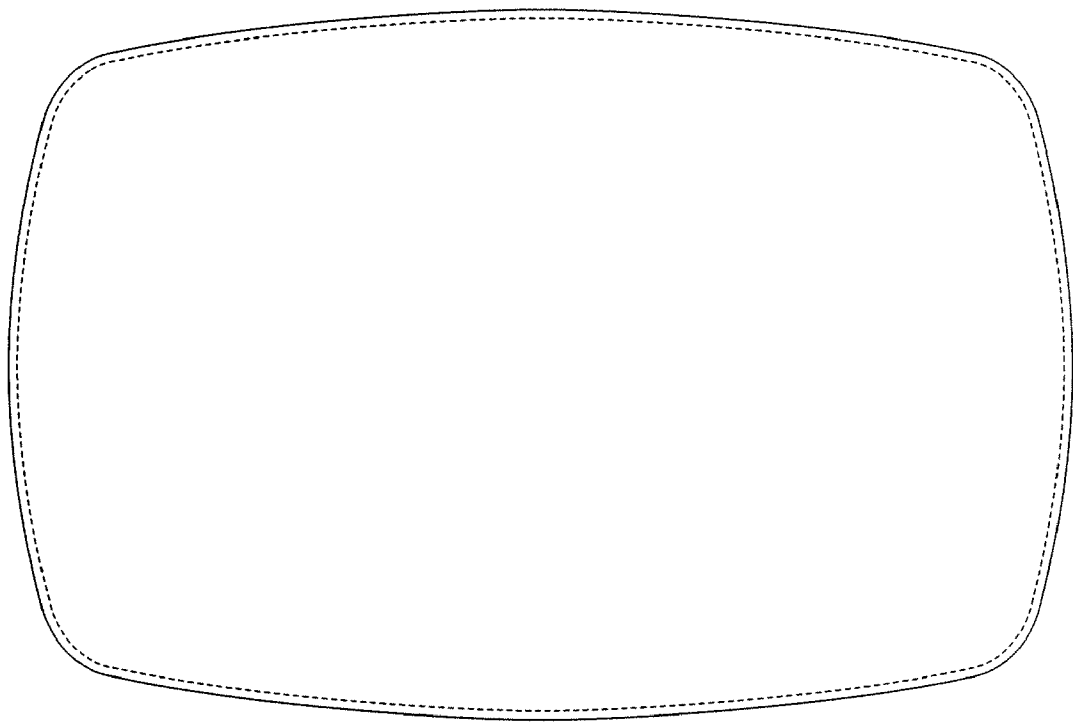


FIG. 6