

(19) World Intellectual Property Organization
International Bureau



(43) International Publication Date
22 June 2006 (22.06.2006)

PCT

(10) International Publication Number
WO 2006/065671 A3

(51) International Patent Classification:

A61H 1/00 (2006.01) A61H 5/00 (2006.01)
A61H 1/02 (2006.01)

(21) International Application Number:

PCT/US2005/044732

(22) International Filing Date:

9 December 2005 (09.12.2005)

(25) Filing Language:

English

(26) Publication Language:

English

(30) Priority Data:

60/635,530 13 December 2004 (13.12.2004) US
11/296,554 7 December 2005 (07.12.2005) US

(71) Applicant (for all designated States except US): **MISONIX INCORPORATED** [US/US]; 1938 New Highway, Farmingdale, NY 11735 (US).

(72) Inventor; and

(75) Inventor/Applicant (for US only): **MANNA, Ronald, R.** [US/US]; 101 Ann Street, Valley Stream, NY 11580 (US).

(74) Agent: **SUDOL, R., Neil**; Coleman Sudol Sapone, P.C., 714 Colorado Avenue, Bridgeport, CT 06605-1601 (US).

(81) Designated States (unless otherwise indicated, for every kind of national protection available): AE, AG, AL, AM, AT, AU, AZ, BA, BB, BG, BR, BW, BY, BZ, CA, CH, CN, CO, CR, CU, CZ, DE, DK, DM, DZ, EC, EE, EG, ES, FI, GB, GD, GE, GH, GM, HR, HU, ID, IL, IN, IS, JP, KE, KG, KM, KN, KP, KR, KZ, LC, LK, LR, LS, LT, LU, LV, LY, MA, MD, MG, MK, MN, MW, MX, MZ, NA, NG, NI, NO, NZ, OM, PG, PH, PL, PT, RO, RU, SC, SD, SE, SG, SK, SL, SM, SY, TJ, TM, TN, TR, TT, TZ, UA, UG, US, UZ, VC, VN, YU, ZA, ZM, ZW.

(84) Designated States (unless otherwise indicated, for every kind of regional protection available): ARIPO (BW, GH, GM, KE, LS, MW, MZ, NA, SD, SL, SZ, TZ, UG, ZM, ZW), Eurasian (AM, AZ, BY, KG, KZ, MD, RU, TJ, TM), European (AT, BE, BG, CH, CY, CZ, DE, DK, EE, ES, FI, FR, GB, GR, HU, IE, IS, IT, LT, LU, LV, MC, NL, PL, PT, RO, SE, SI, SK, TR), OAPI (BF, BJ, CF, CG, CI, CM, GA, GN, GQ, GW, ML, MR, NE, SN, TD, TG).

Published:

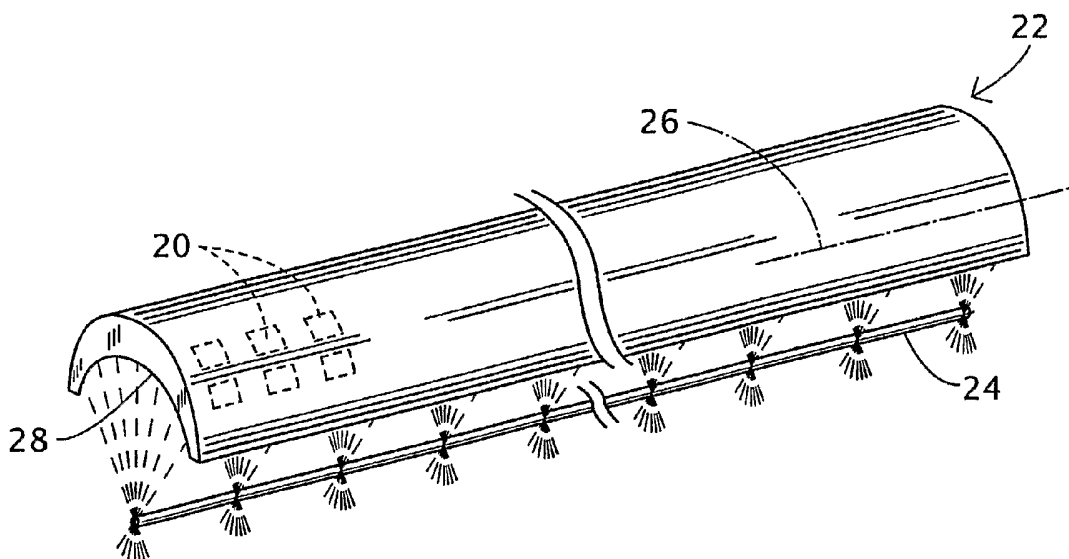
— with international search report

(88) Date of publication of the international search report:

21 December 2006

For two-letter codes and other abbreviations, refer to the "Guidance Notes on Codes and Abbreviations" appearing at the beginning of each regular issue of the PCT Gazette.

(54) Title: ULTRASONIC MEDICAL TREATMENT DEVICE WITH VARIABLE FOCAL ZONE



(57) Abstract: An ultrasonic medical treatment device takes the form of an elongate probe having an elongate wave-generating concave surface with a longitudinal axis and ultrasonic electromechanical transducer elements for vibrating said concave surface to generate ultrasonic pressure waves focused along a linear locus extending parallel to said longitudinal axis. The probe may include a monolithic piezoelectric crystal element and electrode pairs provided along the unitary or monolithic element in a spaced array.

WO 2006/065671 A3

INTERNATIONAL SEARCH REPORT

International application No.
PCT/US05/44732

A. CLASSIFICATION OF SUBJECT MATTER
 IPC: **A61H 1/00(2006.01),1/02(2006.01),5/00(2006.01)**

 USPC: **601/2**
 According to International Patent Classification (IPC) or to both national classification and IPC

B. FIELDS SEARCHED
 Minimum documentation searched (classification system followed by classification symbols)
 U.S. : 601/2; 600/437

Documentation searched other than minimum documentation to the extent that such documents are included in the fields searched

Electronic data base consulted during the international search (name of data base and, where practicable, search terms used)

C. DOCUMENTS CONSIDERED TO BE RELEVANT

Category *	Citation of document, with indication, where appropriate, of the relevant passages	Relevant to claim No.
A	US 4,957,099 A (HASSLER) 18 September 1990 (18.09.1990), note: see the entire patent.	1-40
A	US 2001/0031922 A1 (Weng et al.) 18 October 2001 (18.10.2001), note: see the entire patent.	1-40

Further documents are listed in the continuation of Box C. See patent family annex.

* Special categories of cited documents:	"T"	later document published after the international filing date or priority date and not in conflict with the application but cited to understand the principle or theory underlying the invention
"A" document defining the general state of the art which is not considered to be of particular relevance	"X"	document of particular relevance; the claimed invention cannot be considered novel or cannot be considered to involve an inventive step when the document is taken alone
"E" earlier application or patent published on or after the international filing date	"Y"	document of particular relevance; the claimed invention cannot be considered to involve an inventive step when the document is combined with one or more other such documents, such combination being obvious to a person skilled in the art
"L" document which may throw doubts on priority claim(s) or which is cited to establish the publication date of another citation or other special reason (as specified)	"&"	document member of the same patent family
"O" document referring to an oral disclosure, use, exhibition or other means		
"P" document published prior to the international filing date but later than the priority date claimed		

Date of the actual completion of the international search 04 August 2006 (04.08.2006)	Date of mailing of the international search report 18 SEP 2006
Name and mailing address of the ISA/US Mail Stop PCT, Attn: ISA/US Commissioner for Patents P.O. Box 1450 Alexandria, Virginia 22313-1450 Facsimile No. (571) 273-3201	Authorized officer <i>for</i> John F. Ramirez <i>J. Ramirez</i> Telephone No. (571) 272-8685