

US00D507598S

(12) **United States Design Patent**
Allard et al.

(10) **Patent No.:** **US D507,598 S**
(45) **Date of Patent:** **** *Jul. 19, 2005**

(54) **TRANSPARENT CARD WITH AN ANTENNA AND A BLUE RECTANGLE**

(75) Inventors: **Lee Allard**, Uckfield (GB); **David Bonalle**, New Rochelle, NY (US); **Gail Francolini**, New York, NY (US); **Pam Kornfeld**, Westfield, NJ (US); **Leigh Malnati**, Mountain Lakes, NJ (US); **Sue Mueller**, Phoenix, AZ (US); **Zarita Norcross**, Glendale, AZ (US); **Danielle Nulle**, Atlantic Highlands, NJ (US); **Steve Rank**, New York, NY (US); **Lisa Skilling-Belmond**, New York, NY (US); **Lisa Webb**, Darien, CT (US)

(73) Assignee: **American Express Travel Related Services Company, Inc.**, New York, NY (US)

(*) Notice: This patent is subject to a terminal disclaimer.

(**) Term: **14 Years**

(21) Appl. No.: **29/206,930**

(22) Filed: **Jun. 3, 2004**

(51) **LOC (8) Cl.** **09-08**

(52) **U.S. Cl.** **D19/10**

(58) **Field of Search** D14/436, 437, D14/438; D19/1, 2, 9, 10, 11; D20/22, 27, 40; 40/625, 626; 235/380, 382, 449, 488, 492, 493; 283/106, 107, 108, 109, 904

(56) **References Cited**

U.S. PATENT DOCUMENTS

- 4,711,690 A * 12/1987 Haghiri-Tehrani 156/309.6
- 5,321,240 A * 6/1994 Takahira 235/380
- D387,802 S * 12/1997 Finkelstein et al. D19/10
- 5,705,852 A * 1/1998 Orihara et al. 257/679

- 5,809,633 A * 9/1998 Mundigl et al. 29/600
- 6,095,424 A * 8/2000 Prancz 235/492
- 6,127,989 A * 10/2000 Kunz 343/895
- 6,161,761 A * 12/2000 Ghaem et al. 235/492
- 6,252,777 B1 * 6/2001 Ikeda et al. 361/737
- 6,255,725 B1 * 7/2001 Akagawa et al. 257/679
- D447,515 S * 9/2001 Faenza et al. D19/10
- 6,386,459 B1 * 5/2002 Patrice et al. 235/492
- 6,412,702 B1 * 7/2002 Ishikawa et al. 235/492
- 6,536,674 B2 * 3/2003 Kayanakis et al. 235/492
- D474,472 S * 5/2003 Maekawa et al. D14/436
- 6,628,240 B2 * 9/2003 Amadeo 343/866
- 6,631,847 B1 * 10/2003 Kasahara et al. 235/487
- 6,651,891 B1 * 11/2003 Zakel et al. 235/487
- 6,724,103 B2 * 4/2004 Parrault 307/104
- 2002/0089405 A1 * 7/2002 Jitaru 336/200
- 2003/0085288 A1 * 5/2003 Luu 235/492
- 2004/0129785 A1 * 7/2004 Luu 235/486

* cited by examiner

Primary Examiner—Joel A. Sincavage

Assistant Examiner—Elizabeth Albert

(74) *Attorney, Agent, or Firm*—Snell & Wilmer L.L.P.

(57) **CLAIM**

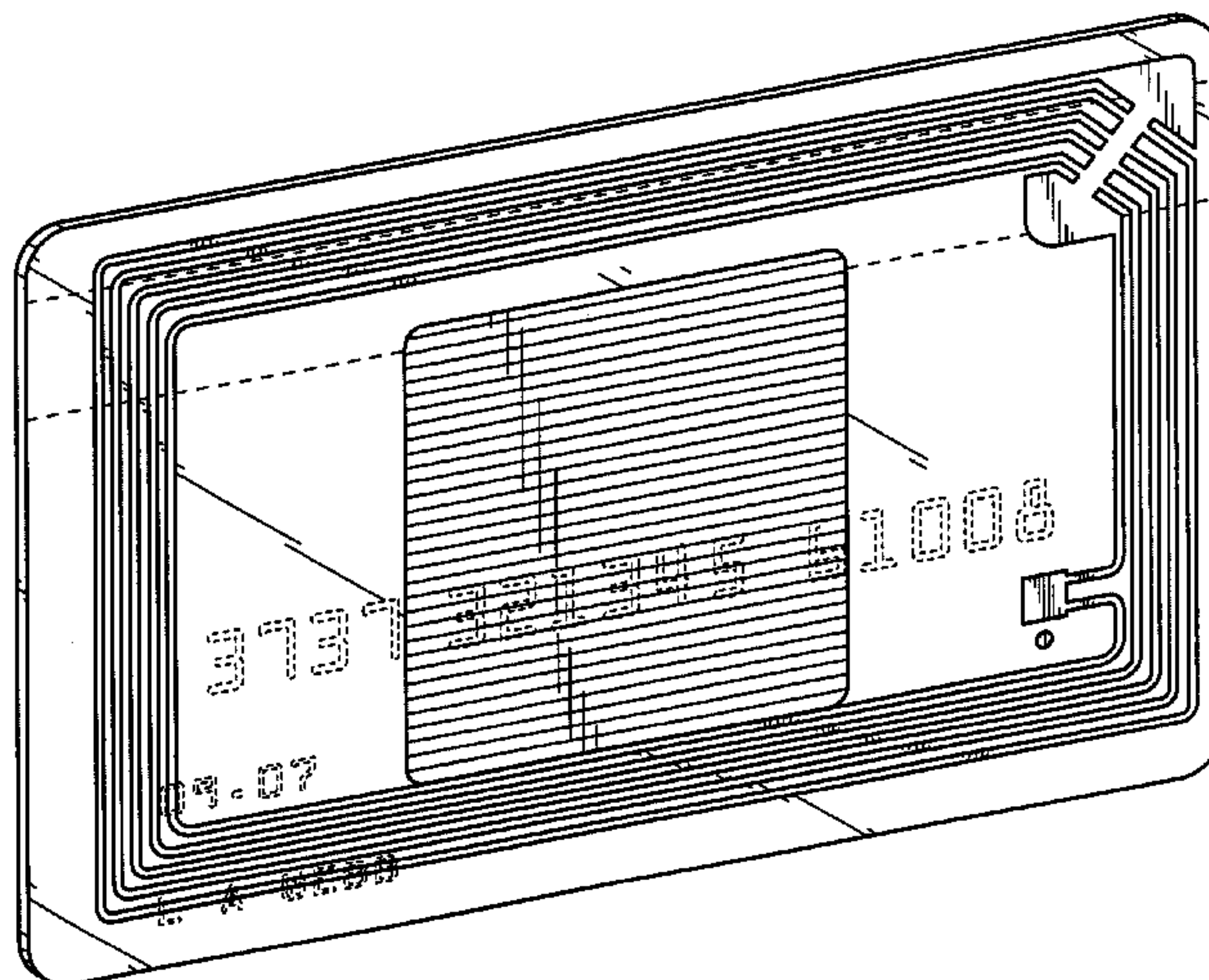
The ornamental design for a transparent card with an antenna and a blue rectangle, as shown and described.

DESCRIPTION

FIG. 1 is a perspective view of a transparent card with an antenna and a blue rectangle showing our new design; FIG. 2 is a top plan view of the card of FIG. 1; FIG. 3 is a bottom plan view of the card of FIG. 1; FIG. 4 is a right side elevational view thereof; FIG. 5 is a left side elevational view thereof; FIG. 6 is a front elevational view thereof; and, FIG. 7 is a rear elevational view thereof.

The broken lines showing environment in the drawings are shown for illustrative purposes only and form no part of the claimed design.

1 Claim, 3 Drawing Sheets



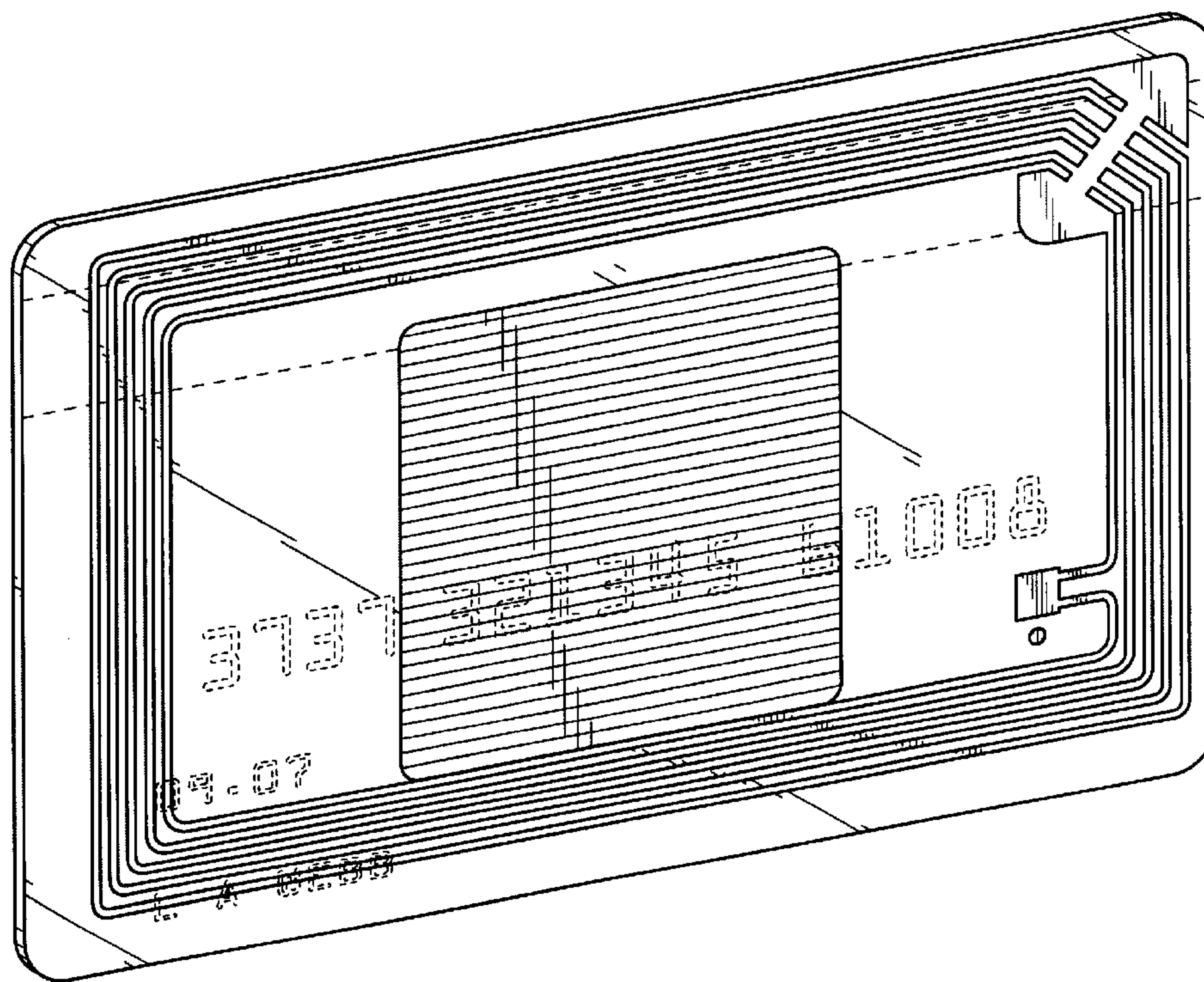


FIG.1

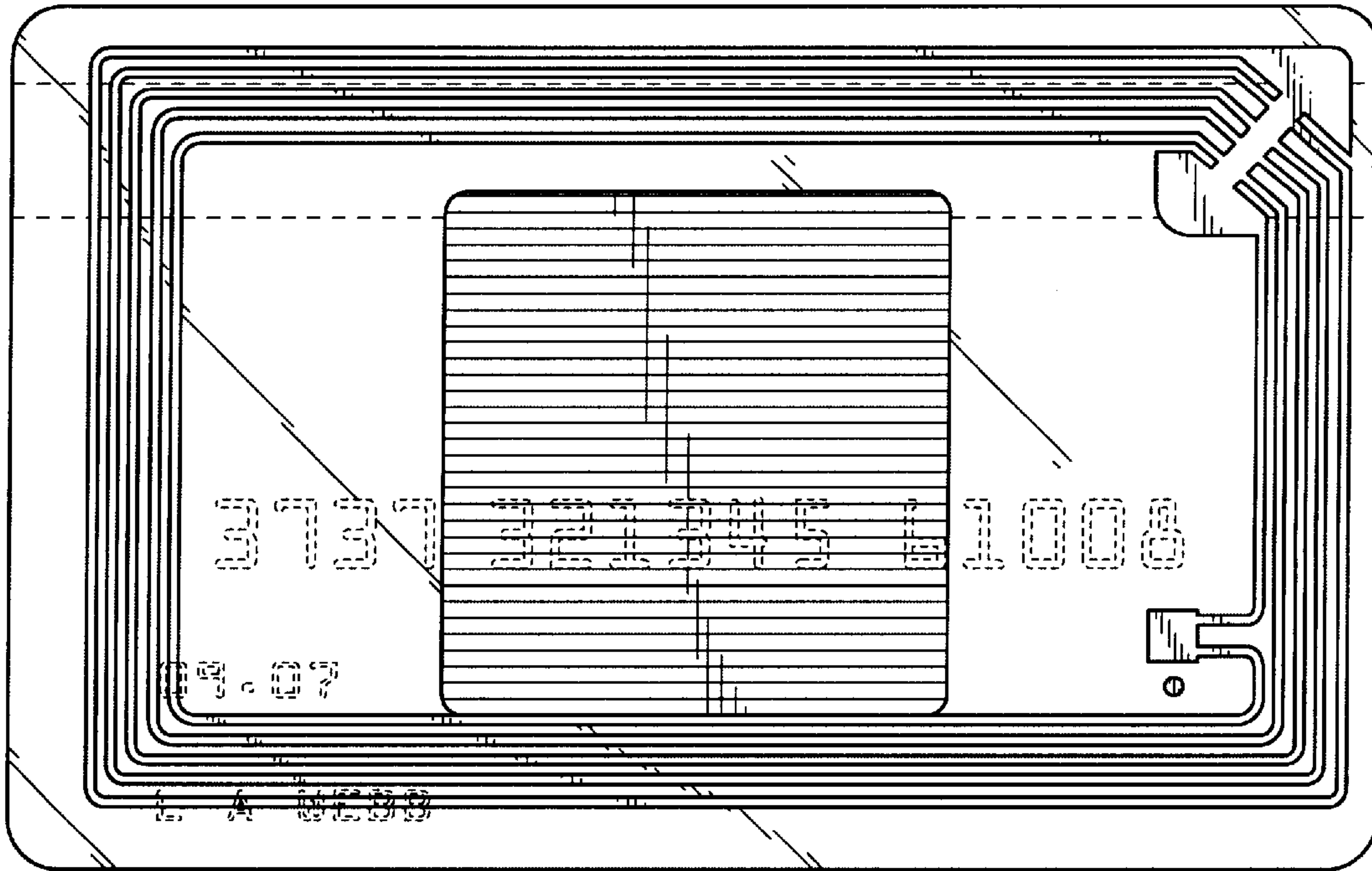


FIG. 2

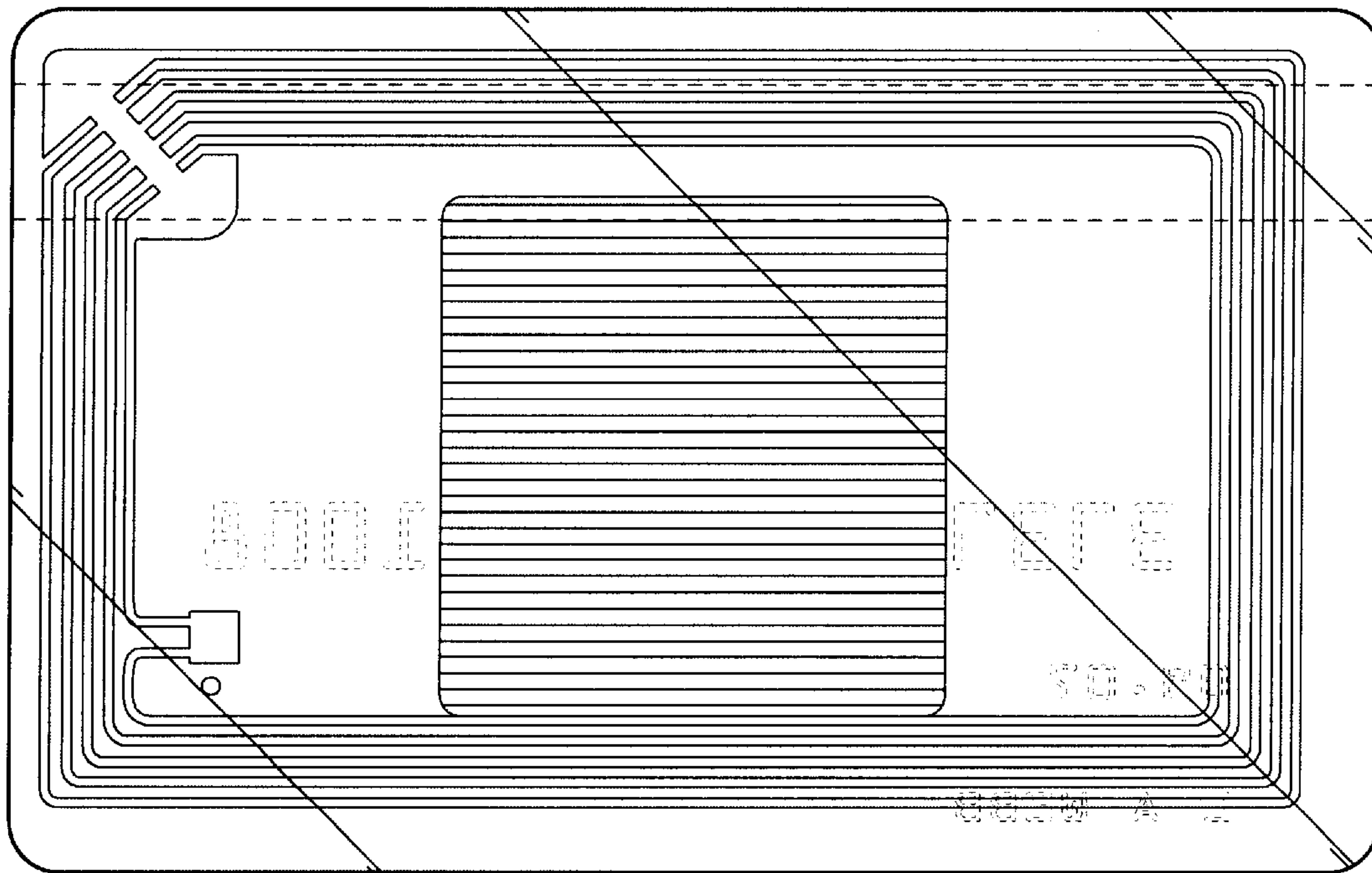


FIG. 3



FIG.4

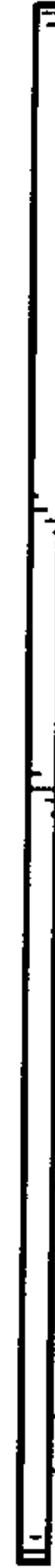


FIG.5

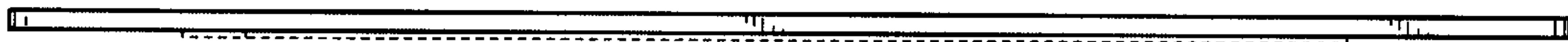


FIG.6

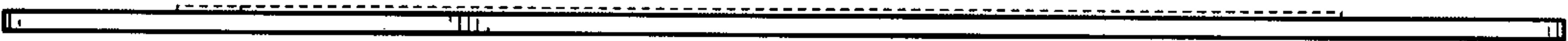


FIG.7