



US00D663619S

(12) **United States Design Patent**  
**Pillet**

(10) **Patent No.:** **US D663,619 S**

(45) **Date of Patent:** **\*\* Jul. 17, 2012**

(54) **PERFUME BOTTLE**

(75) Inventor: **Christophe Pillet**, Paris (FR)

(73) Assignee: **Lacoste Alligator S.A.**, Geneva (CH)

(\*\*) Term: **14 Years**

(21) Appl. No.: **29/395,190**

(22) Filed: **Dec. 14, 2011**

(51) **LOC (9) Cl.** ..... **09-01**

(52) **U.S. Cl.** ..... **D9/503; D9/519; D9/452**

(58) **Field of Classification Search** ..... D9/500,  
D9/502-505, 516, 519, 544-546, 549, 558,  
D9/575, 559, 682, 686-694, 554-555, 451,  
D9/681; D7/300, 598; D19/93; D28/91.1;  
215/379, 381-382; 220/660, 662, 669-673,  
220/675

See application file for complete search history.

(56) **References Cited**

**U.S. PATENT DOCUMENTS**

D69,766 S *	3/1926	Miller	.....	D9/505
D181,301 S *	10/1957	Loewy	.....	D7/300
D214,307 S *	6/1969	Vignelli	.....	D9/503
D220,253 S *	3/1971	Fernandez	.....	D9/519
D368,860 S *	4/1996	Mansau	.....	D9/545
D462,905 S *	9/2002	Siegel et al.	.....	D9/451
D464,571 S *	10/2002	Hill et al.	.....	D9/519
D496,207 S *	9/2004	Wang	.....	D7/300.1
D532,696 S *	11/2006	Boudard	.....	D9/544
D548,091 S *	8/2007	Dalton	.....	D9/519

D565,413 S *	4/2008	Honkawa et al.	.....	D9/519
D596,489 S *	7/2009	Weiss	.....	D9/519
D643,735 S *	8/2011	Sherwood	.....	D9/549
D648,217 S *	11/2011	Fahey et al.	.....	D9/500

\* cited by examiner

*Primary Examiner* — Dana L Meyrow

(74) *Attorney, Agent, or Firm* — Fross Zelnick Lehrman & Zissu, P.C.; Charles T. J. Weigell, Esq.

(57) **CLAIM**

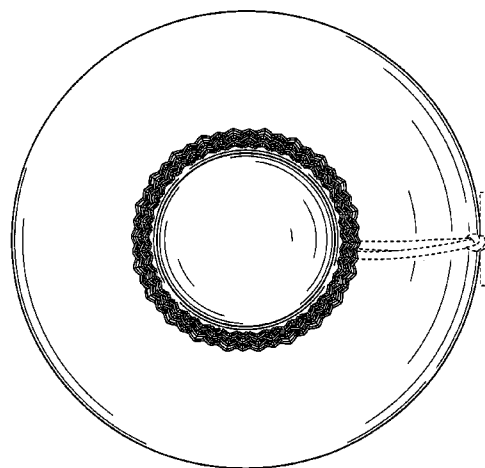
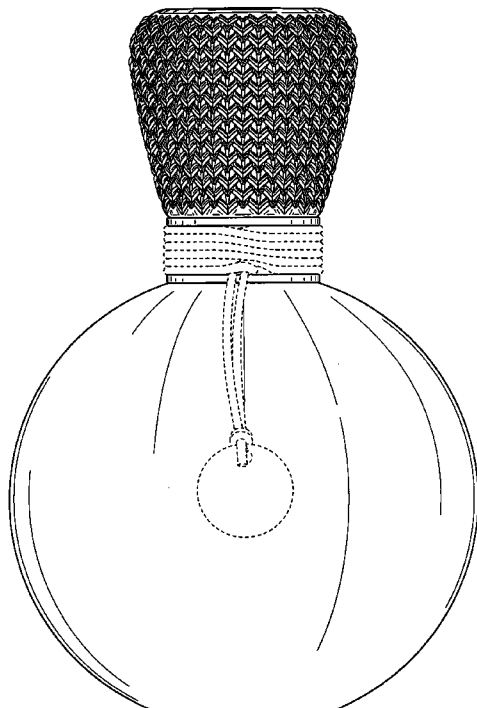
The ornamental design for a perfume bottle, as shown and described.

**DESCRIPTION**

FIG. 1 is a front perspective view of a perfume bottle showing my new design;  
FIG. 2 is a front view of the perfume bottle shown in FIG. 1;  
FIG. 3 is a rear view of the perfume bottle shown in FIG. 1;  
FIG. 4 is a right side view of the perfume bottle shown in FIG. 1;  
FIG. 5 is a left side view of the perfume bottle shown in FIG. 1;  
FIG. 6 is a top view of the perfume bottle shown in FIG. 1; and,  
FIG. 7 is a bottom view of the perfume bottle shown in FIG. 1.

The broken lines in the drawings showing the strings and circular tag illustrate the portions of the design that form no part of the claim.

**1 Claim, 7 Drawing Sheets**



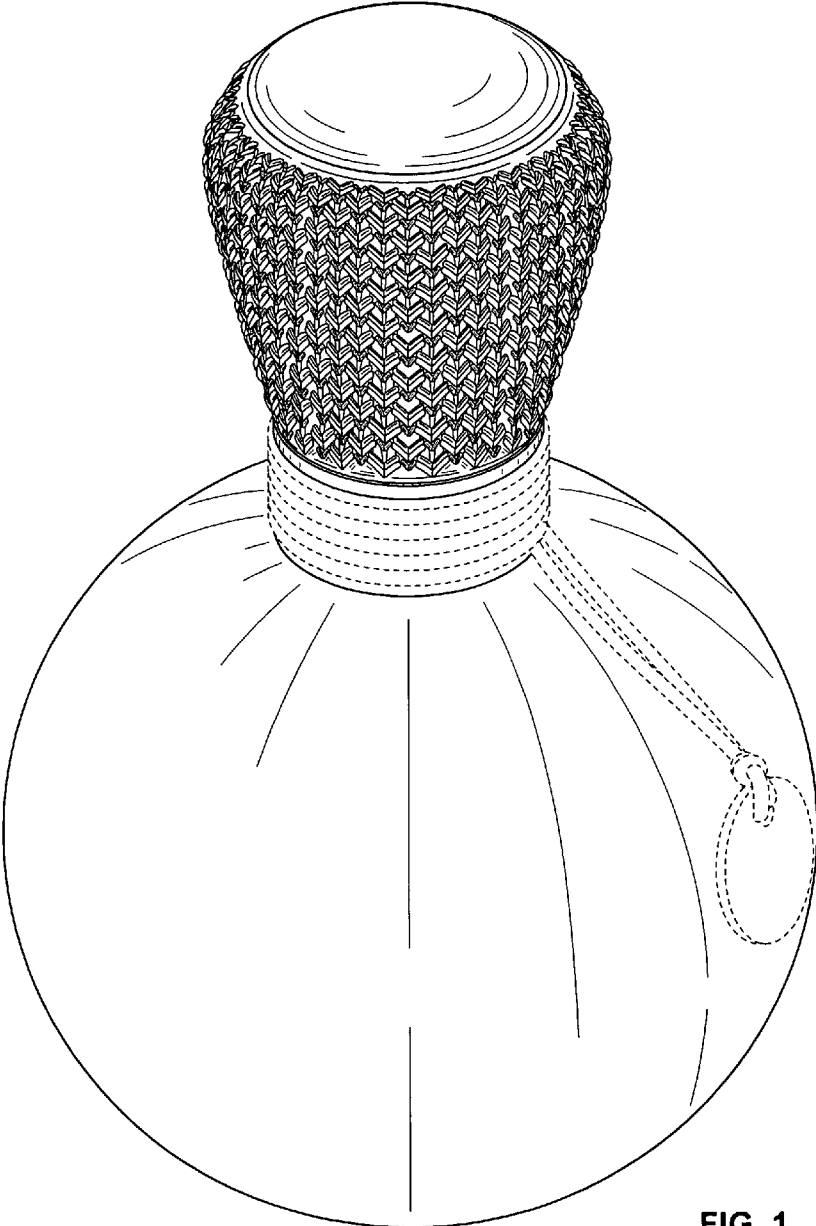


FIG. 1

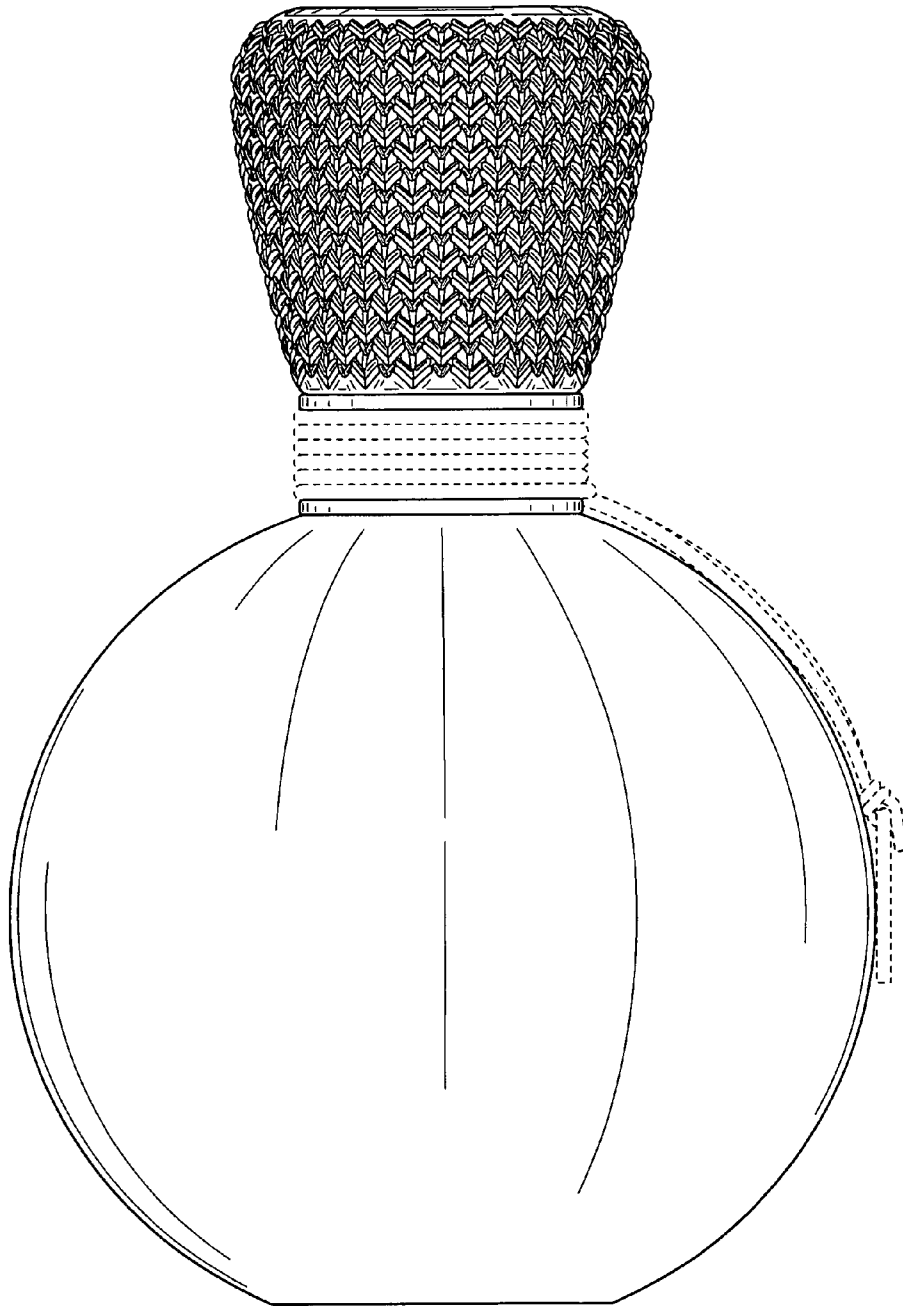


FIG. 2

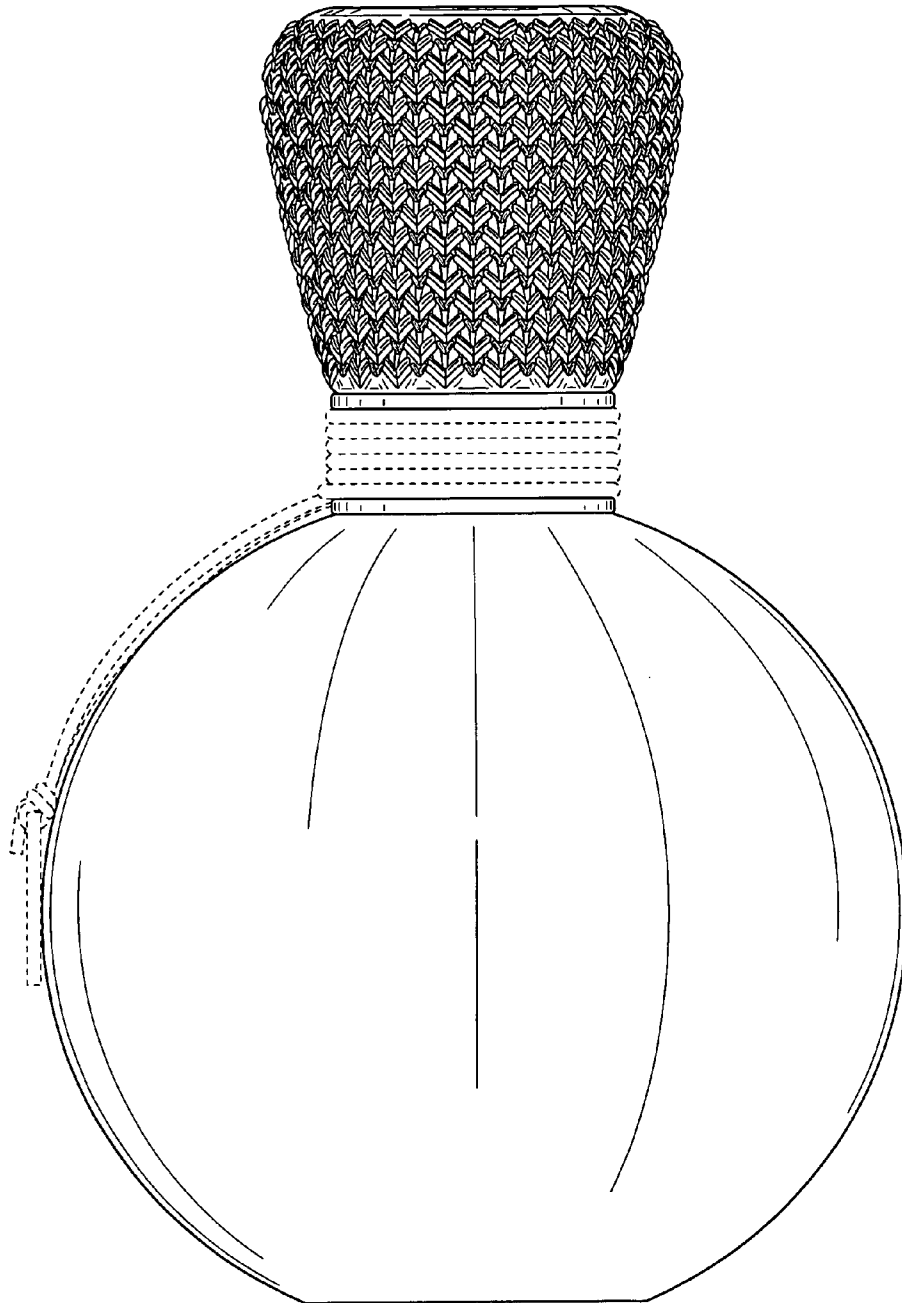


FIG. 3

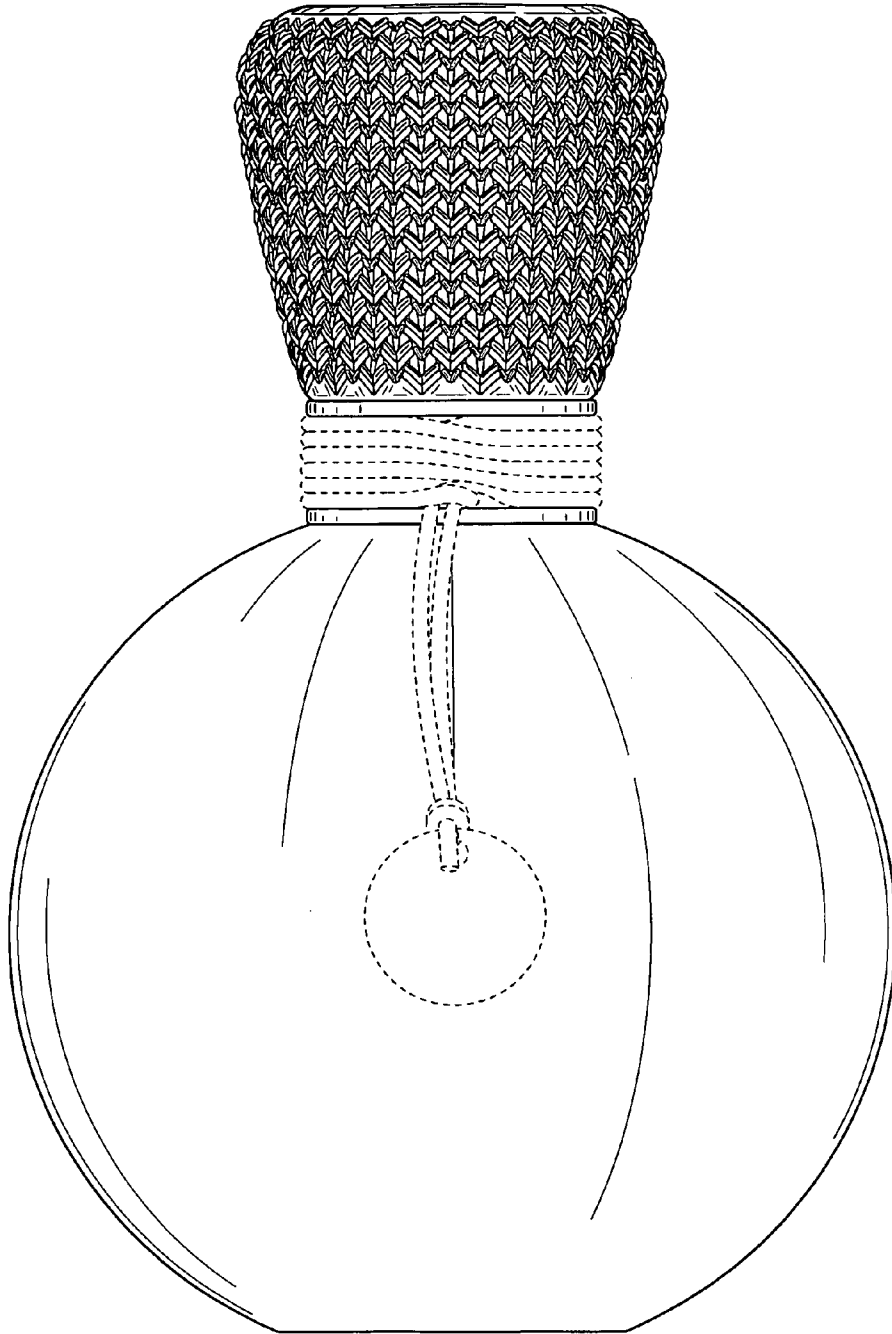


FIG. 4

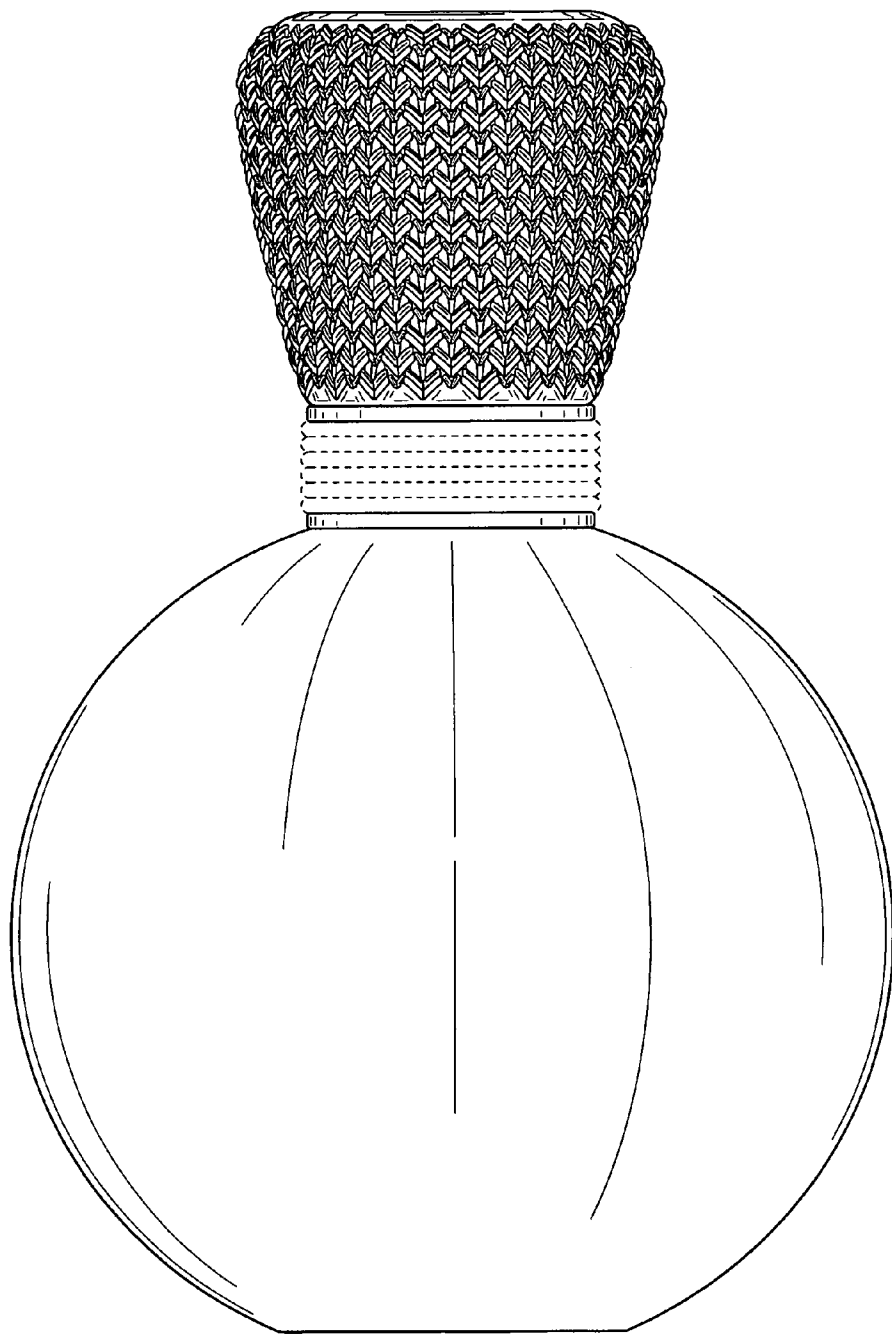


FIG. 5

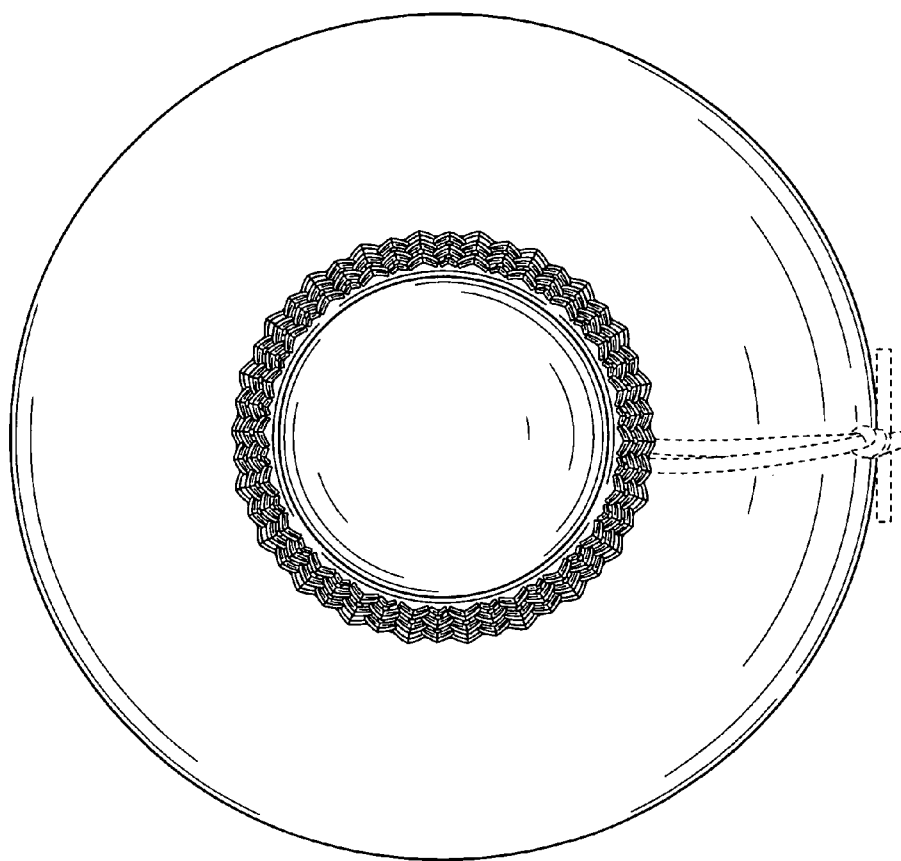


FIG. 6

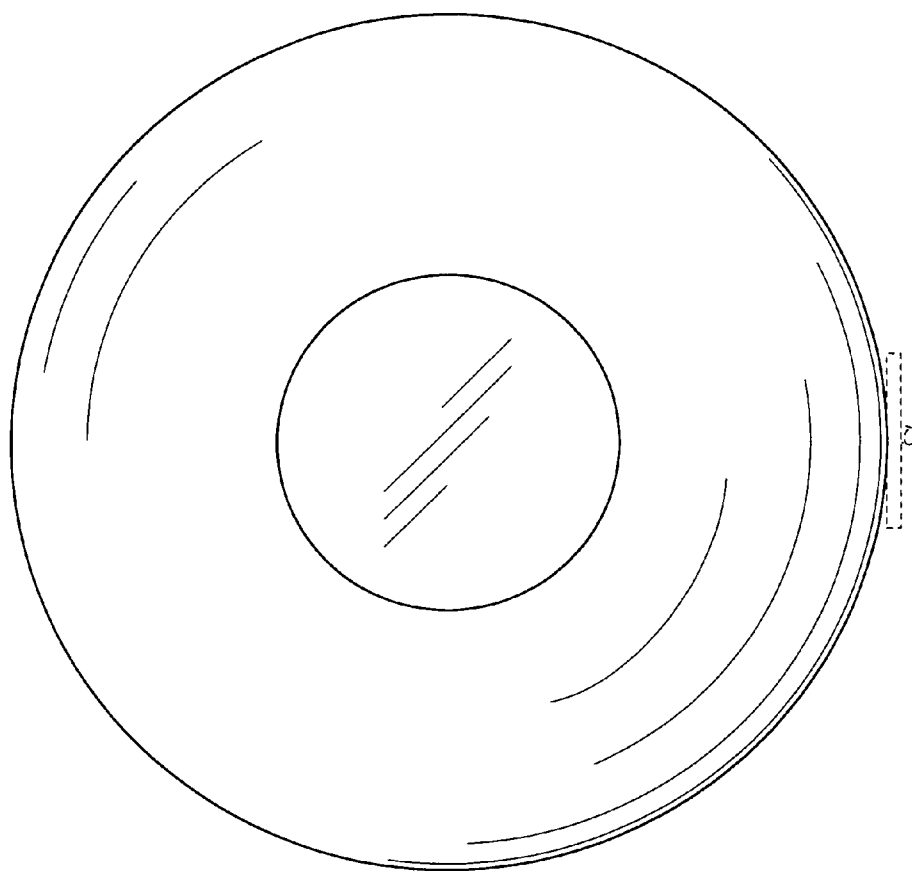


FIG. 7



UNITED STATES PATENT AND TRADEMARK OFFICE  
**CERTIFICATE OF CORRECTION**

PATENT NO. : D663,619 S  
APPLICATION NO. : 29/395190  
DATED : July 17, 2012  
INVENTOR(S) : Christophe Pillet

Page 1 of 1

It is certified that error appears in the above-identified patent and that said Letters Patent is hereby corrected as shown below:

On the title page, insert item [30]

--(30) Foreign Application Priority Data

Oct 20, 2011 (EM) .....001935289-0001--

Signed and Sealed this  
Second Day of October, 2012



David J. Kappos  
*Director of the United States Patent and Trademark Office*