



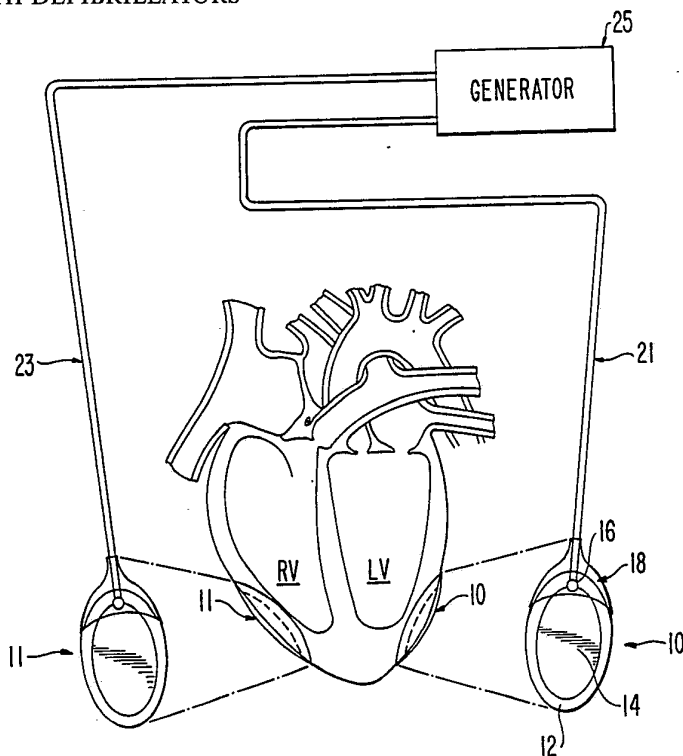
## INTERNATIONAL APPLICATION PUBLISHED UNDER THE PATENT COOPERATION TREATY (PCT)

<p>(51) International Patent Classification <sup>5</sup> : A61N 1/05</p>	<p>A1</p>	<p>(11) International Publication Number: <b>WO 90/08466</b> (43) International Publication Date: 9 August 1990 (09.08.90)</p>
<p>(21) International Application Number: PCT/US90/00496 (22) International Filing Date: 24 January 1990 (24.01.90) (30) Priority data: 304,684 31 January 1989 (31.01.89) US (71) Applicant: W.L. GORE &amp; ASSOCIATES, INC. [US/US]; 551 Paper Mill Road, P.O. Box 9206, Newark, DE 19714 (US). (72) Inventors: OWENS, William, Michael ; 1310 La Costa Way, Flagstaff, AZ 86004 (US). MARLOW, Leonard, George, Jr. ; 37 Glodia, Flagstaff, AZ 86004 (US). (74) Agents: WEKER, Dena, Meyer et al.; W.L. Gore &amp; Associates, Inc., 551 Paper Mill Road, P.O. Box 9206, Newark, DE 19714 (US).</p>		<p>(81) Designated States: AT (European patent), AU, BE (European patent), CH (European patent), DE (European patent), DK (European patent), ES (European patent), FR (European patent), GB (European patent), IT (European patent), JP, LU (European patent), NL (European patent), SE (European patent).</p> <p><b>Published</b> <i>With international search report. Before the expiration of the time limit for amending the claims and to be republished in the event of the receipt of amendments.</i></p>

## (54) Title: PATCH ELECTRODES FOR USE WITH DEFIBRILLATORS

## (57) Abstract

A patch electrode (10, 11) for use with defibrillators (25) is provided. The patch electrode (10, 11) comprises a soft, flexible patch (12) of polymeric material and bonded to it, a smaller patch (14) of polymeric material that has been metal-plated. A lead wire (21, 23) is attached to the patch (10, 11) by a polymeric boot (18). A defibrillator system is also provided wherein two electrodes (10, 11) and lead wires (21, 23) are attached to a generator (25) typically used for cardioventing and defibrillation. The invention is particularly useful for cardiac muscle stimulation but can also be used for muscle stimulation.



**FOR THE PURPOSES OF INFORMATION ONLY**

Codes used to identify States party to the PCT on the front pages of pamphlets publishing international applications under the PCT.

AT	Austria	ES	Spain	MG	Madagascar
AU	Australia	FI	Finland	ML	Mali
BB	Barbados	FR	France	MR	Mauritania
BE	Belgium	GA	Gabon	MW	Malawi
BF	Burkina Fasso	GB	United Kingdom	NL	Netherlands
BG	Bulgaria	HU	Hungary	NO	Norway
BJ	Benin	IT	Italy	RO	Romania
BR	Brazil	JP	Japan	SD	Sudan
CA	Canada	KP	Democratic People's Republic of Korea	SE	Sweden
CF	Central African Republic	KR	Republic of Korea	SN	Senegal
CG	Congo	LI	Liechtenstein	SU	Soviet Union
CH	Switzerland	LK	Sri Lanka	TD	Chad
CM	Cameroon	LU	Luxembourg	TG	Togo
DE	Germany, Federal Republic of	MC	Monaco	US	United States of America
DK	Denmark				

## PATCH ELECTRODES FOR USE WITH DEFIBRILLATORS

FIELD OF THE INVENTION

5 The present invention relates to a novel patch electrode for use with defibrillators. The patch electrode includes a soft, flexible patch of polymeric material and a lead wire attached to the patch by a polymeric boot. The lead wire is further attached to a generator typically used for cardioverting and defibrillation. The invention is particularly useful for cardiac muscle stimulation but also can be used for any muscle stimulation.

BACKGROUND OF THE INVENTION

10 Each year, approximately 400,000 to 600,000 Americans suffer from cardiac arrhythmia such as tachyarrhythmia which often worsens into ventricular fibrillation in which the heart twitches furiously but pumps no blood, usually causing sudden death. Defibrillation is referred to as the non-synchronized delivery of electrical energy to the heart to correct ventricular fibrillation.

15 Research in the field of cardioverters/defibrillators has been in progress for many years.

20 U.S. Patent 4,499,907 describes a transvenous cardioversion lead which is adapted for use with presently available external defibrillation units. The lead is provided with circuitry which reduces energy from the defibrillator to a safe level for use with transvenous defibrillation. The lead has four electrodes, of which two are implanted within the right ventricle of the heart and the other two implanted within the superior vena cava.

25 U.S. Patent 4,641,656 describes a four-electrode lead system designed to maximize the efficiency of electrical energy and depolarizing the heart and terminating tachycardia or defibrillation. The electrodes are described to be mounted around the heart wherein the regime for applying pulses and optimizing electrode size and placement are altered to provide a more efficient system.

35 U.S. Patent 4,690,155 describes a monophasic action potential contact electrode catheter for use in the study of the electrophysiology of cardiac tissue. The catheter includes an elongated tubular body having a hub assembly at its proximal end portion and a distal tip portion.

-2-

U.S. Patent 4,662,377 describes an automatic implantable cardioverter/defibrillator having an electrode system which includes an intravascular catheter with a first electrode adjacent the distal end of the catheter, and a second electrode at the proximal end. The catheter electrode is inserted intravenously to a position such that the distal electrode is positioned in the right ventricular apex of the heart and the proximal electrode is positioned in the superior vena cava region of the heart.

A flexible patch electrode is also electrically connected to the proximal electrode and subcutaneously positioned inside the thoracic cavity. The patch electrode is described as being flexible, conformal, generally planar having a metallic mesh on the surface facing the heart.

Many of the references cited require implantation of electrodes within the thoracic cavity and myocardium thus subjecting a patient to the surgical opening of the thoracic cavity and possible risks of infection. Also, many of the cardioverter/defibrillator systems require large discharges of electrical energy to the heart (10 joules or more). Furthermore, many will not maintain close contact with the endocardium, requiring higher electrical energy and, or causing burning of the cardiac tissue.

There is a need for a flexible, compliant defibrillation patch and system capable of maintaining close contact of the electrode material to muscle tissue, thereby requiring lower energy discharges (four + joules) without burning muscle tissue.

#### SUMMARY OF THE INVENTION:

The present invention provides a patch electrode for use with defibrillators made of an outer insulating membrane of porous polymeric material, an inner metalized membrane also made of a porous polymeric material plated with a metal, such as platinum or gold and means for bonding the inner polymeric membrane to the outer polymeric membrane so that a border of the outer membrane surrounds and abuts said inner membrane. The preferred material for use in both membranes comprising the patch electrodes is expanded PTFE however other polymeric materials such as silicones,

-3-

polyurethanes, polyethylenes, polysulfones, polyacrylics, polycarboxylates, polyesters, polypropylene, poly(hydroxyethyl)methacrylate and perfluorinated polymers are also suitable.

5 The patch electrodes may be of various shapes such as a tear drop, hourglass, or inverted U.

The invention also provides a defibrillator system for delivering electrical shocks to a muscle, including heart muscle of a patient comprising two patch electrodes each further comprising an outer insulating membrane of a porous polymeric material, an inner membrane having a metal surface, two lead wires, each having a center conductor surrounded by at least one layer of insulation and adhesively affixed to individual electrodes to form a conductive connection further reinforced by a silicone boot and a pulse generator means having anode and cathode terminals to which the lead wires are connected.

10  
15

#### BRIEF DESCRIPTION OF THE DRAWINGS

Fig. 1 illustrates a plan view of one embodiment of the electrode patch system according to the present invention.

20 Fig. 1a illustrates a cross-section of one embodiment of the electrode patch.

Fig. 2 illustrates a plan view of an hourglass electrode patch, a second embodiment according to the present invention.

25 Fig. 3 illustrates a plan view of a horseshoe electrode patch, a third embodiment according to the present invention.

Fig. 4 illustrates a cross-sectional planar view of the lead wire used in the present invention.

#### DETAILED DESCRIPTION OF A THIN PREFERRED EMBODIMENT

The following description provides examples for use of the patch electrode system for cardiac muscle stimulation. It is believed however that the patch electrode system may be applied to any type of subcutaneous or external muscle stimulation in addition to cardiac muscle. The system may also be applicable to bone growth stimulation, heart pacing or a variety of other uses requiring electrical signal interface.

30  
35

-4-

With reference to Figure 1, a pair of flexible patch electrodes, 10 and 11, are provided. One patch electrode serves as the anode of the system and is positioned over the right ventricle, so that it is inside the thoracic cavity and outside the myocardium.

5

The second patch electrode serves as the cathode of the system and is positioned over the left ventricle, so that it is inside the thoracic cavity and outside the myocardium. Figures 1, 2 and 3 also show the location on the heart where the electrodes are to be attached.

10

The patch electrode is comprised of two layers, an outer insulating layer 12, and an inner metallic layer 14. The outer layer 12 is comprised of a porous polymeric material. A preferred porous polymeric material is expanded polytetrafluoroethylene (hereinafter PTFE) having a microstructure of nodes and fibrils such as that described in U.S. Patent 3,953,566 and 4,897,390 or may be comprised of other porous PTFE materials such as that described in U.S. Patent 4,082,893. Alternatively, other biocompatible, porous polymeric materials including silicones, polyurethanes, polyethylenes, polysulfones, polyacrylics, polycarboxylates, polyesters, polypropylene, poly(hydroxyethyl)methacrylates, and perfluorinated polymers. The important criteria is that the material is able to be a good insulator. The thickness of the outer insulating layer should be preferably less than 0.1 mm, and is most preferably less than 0.08 mm. Furthermore, for an outer insulating material made of expanded PTFE, the maximum fibril length should be 10 microns or less to prevent tissue ingrowth but allow for tissue attachment.

15

20

25

Within the outer insulating layer 12 is an inner metallic layer 14. This inner layer may be comprised of a wire mesh or preferably a metalized conductive polymeric material capable of carrying a current and which is sufficiently pliable so that when flexed repeatedly the metalized conductive material remains intact. Any conductive metal may be used, however, a most preferred metalized polymeric material includes expanded PTFE as described above plated with gold. Preparation of such a material

30

35

-5-

is described in Example 1. Alternatively, expanded PTFE plated with platinum is also suitable. Such a metalized material is described in U.S. Patent Numbers 4,557,957 and 4,720,400.

5 The thickness of the inner layer should be preferably at least 0.25 mm thick and is most preferably between 0.8 mm and 1.0 mm. For the inner layer made of PTFE onto which metal has been applied and for efficient plating the fibrils should be about 30 microns and is preferably between 50-60 microns.

10 The outer and inner layers are bonded together by a thin application of a polymeric adhesive between them.

Figure 1 shows the defibrillator system having two tear-drop shaped defibrillator patches. Figure 2 shows the defibrillator system having two patches each in the shape of an hourglass. Figure 3 shows the defibrillator patch having an inverted U-shaped configuration. Any of these shapes as well as other shapes are all suitable for the defibrillator system so long as they are flexible and capable of withstanding repeated contractions and twists as the heart contracts and twists. The size of the patch should be of sufficient size to totally saturate the heart with high voltage but not so low as to cauterize the heart or tissue surrounding the heart with higher current densities. Figure 1a shows a cross-section of the electrode patch indicating the outer and inner membranes and the bonding between them.

25 The lead wires 21 and 23 shown in Figs. 1, 2 and 3 used to connect the patches to the generator may be any conventional low electrical resistance wire surrounded by several layers of polymeric insulation. Figure 4 shows a cross-section of the preferable configuration of the lead wire. A preferable lead wire system includes a center conductor wire 101 of drawn braided silver surrounded by a first layer of low density expanded PTFE 102 and surrounded again by a second layer of high density expanded PTFE 103 which may be impregnated with either silicone or polyurethane. Other suitable wires include chromium based wires. The preferable insulation material of expanded PTFE is the same material that also comprises the defibrillator patches. The low density expanded PTFE has a density range of preferably .7-1.03 g/cc to provide high flexibility and the high density expanded

30

35

-6-

PTFE has a density range of preferably 1.3-1.5 g/cc to provide an impermeable barrier.

The lead wire 23 is attached to the defibrillator patch with the use of a commercially available low resistance conductive epoxy 16 or may be ultrasonically welded together. One commercially available conductive epoxy is Eccobond® solder available from W.R. Grace in Woburn, Massachusetts.

Further covering a portion 18 of the defibrillator patch 10 and lead wire 21 is a silicone boot which reinforces the connection made between the patch and wire. The silicone boot is a glue which hardens in a short period of time. This material is commercially available from Dow Corning MDX4-4210 medical grade elastomer, Dow Corning Corporation, Midland, Michigan.

In operation by reference to Figure 1, the generator issues a high energy shock by providing a voltage pulse across the distal electrode patch 11 and proximal electrode patch 10. Preferably, the high energy pulse is an exponentially decaying truncated voltage. An electric field is created across the heart that more effectively depolarizes the heart using electrical energies in the 4 to 7 joule range rather than the higher energy levels required by existing systems. If unsuccessful, additional pulses may be issued, which may be increased at high energy levels such as up to 50 joules.

#### EXAMPLE 1

A defibrillator system was made having two electrode patches with tear-drop shape configurations similar to that shown in Figure 1.

The outer patch was first made by obtaining a membrane of expanded PTFE, specifically a GORE-TEX™ Surgical Membrane, commercially available from W. L. Gore & Associates, Inc. This material was made in accordance to the teachings of U.S. Patent Nos. 3,953,566 and 4,187,390. The thickness of the membrane was between 0.08 mm and 0.1 mm. The membrane had a microstructure comprising nodes and fibrils. The fibrils had a length of about 10 microns.

-7-

The fibril length of expanded PTFE is defined herein as the average of ten measurements between nodes connected by fibrils in the direction of expansion. In order to measure the average fibril length of expanded PTFE, two parallel lines are drawn across a photomicrograph of about 100 times magnification of the surface of the material so as to divide the photograph into three equal areas. If the material has been uniaxially expanded, these lines are drawn in the direction of expansion (i.e. direction of orientation of fibrils). Measuring from left to right, five measurements of fibril length are made along the top line in the photograph beginning with the first node to intersect the line near the left edge of the photograph and continuing with consecutive nodes intersecting the line. Five more measurements are made along the other line from right to left beginning with the first node to intersect the line on the right hand side of the photograph. If the material is expanded in more than one direction, the lines are drawn and fibril lengths measured as above, except when a node is not attached by fibrils to a node intersecting the drawn line. In this case, the fibril length from the node to a node which creates the least angle with the drawn line is measured along the fibril's axial orientation. The ten measurements obtained by this material are averaged to obtain the average fibril length of the material. For the outer patch, the fibril length had a length of about 10 microns.

The second layer of the patch was made with a second membrane of expanded PTFE, plated with gold. This membrane was made similar to the inner layer, and in accordance to the teachings of U.S. Patent Numbers 3,953,566 and 4,187,390. The microstructure of this membrane also consisted of nodes and fibrils but had fibril lengths approximately of 30 microns.

This membrane was plated through the entire cross-section with copper using an electroless process system, of which all of the referenced chemicals are commercially from Shipley Corporation, Newtown, Massachusetts. Similar electroless systems commercially available from other manufacturers may be substituted. For the present example, the membrane was first dipped in a cleaner-conditioner 230 at a temperature of 160-180°F for 20

-8-

minutes. The membrane was then dipped in Cataprep® 404 at a temperature of 75-100°F for a period of 60-90 seconds. A layer of palladium-tin is then applied to the membrane by dipping the treated membrane in Cataposit® 44 at a temperature of 100-120°F for a period of 2-4 minutes. The tin is then removed by dipping the membrane in Accelerator 240 at a temperature of 90-115°F for a period of 2-3 minutes with agitation at a rate of 3-5 strokes per minute. Finally, the membrane is copper plated by dipping in Cuposit® 250 electroless copper at a temperature of 95-125°F for about 12-20 minutes or until the desired copper deposition is achieved. Alternatively, the copper bath may be air agitated with compressed nitrogen.

The membrane was finally plated with gold using an electro-plating system including a platinum plated electrode as an anode and an adjustable DC power supply. The membrane was attached to the cathode. Deposition was achieved on the membrane when the anode was submerged in Orostrike gold, commercially available from Technic, Inc. of Cranston, RI, a gold solution heated to a temperature of about 80-140°F until gold deposition had occurred; the period of time of approximately 18 minutes. The membrane was plated with sufficient gold to produce a resistance of approximately 1 ohm or less on the surface of the membrane.

The final metalized membrane was rinsed in distilled water baths and freon baths to remove chemical residue. Other metallized systems are also suitable. Times and temperatures may also vary.

The metalized membrane was coated with a polymeric adhesive, such as medical grade elastomer silicone MDX4-4210 or Silastic® 382 both commercially available from Dow Corning, Midland, Michigan. The coated membrane was placed in a vacuum chamber at 18 inches of mercury for 30 minutes to draw the silicone within and around the node-fibril microstructure of the membrane and the area of the lead wire connected to the metalized membrane. Penetration of the membrane by the silicone was about 90%. The silicone was then cured to insure a hermetic seal of the lead connection and fibril-node plating surface. The polymeric penetration and encapsulation provides strain relief to the plated

-9-

nodes and fibrils to prevent cracking of the plating surface during flexing and to maintain capacitative resistance.

5 The metalized polymeric layer was then bonded to the outer insulating layer with a thin layer of silicone. The metalized layer was centered on the outer insulating layer so that there was at least a 6.4 mm rim around the metalized membrane.

10 The lead wire used to connect the patch to the defibrillator comprised a drawn braided silver conductor of .38 mm was first coated with expanded PTFE having a density of about 0.7-.9 g/cc and then extrusion coated with a second layer of expanded PTFE having a density of 1.2 to 1.3 g/cc. The overall diameter was about 1.4 mm. A gold connector was crimped to the lead wire and then bonded to the metalized polymeric with a conductive epoxy, Eccobond solder commercially available from Emmerson and Cuming, Canton, Massachusetts. The final lead wire was approximately 61  
15 cm long.

20 The assembly was completed by installation of a preformed silicone boot that encapsulated part of the lead wire, the junction of lead wire and membrane, and a section of both membrane layers. A layer of silicone was applied over the rim of the outer insulating rim, adjacent to the metalized layer of sufficient amounts so that the overall patch creates a flat surface.

25 The final assembly was sufficient to produce a lead-patch assembly having a resistance of less than 10 ohms from the metalized patch surface through and to the end of the lead wire. The opposite end of the lead wire was connected to an external cardioverter/defibrillator having an adjustable threshold regulator and an external trigger button.

#### EXAMPLE 2 - ACUTE DOG STUDY

30 A defibrillator system was made such as that described in Example 1. The patches were implanted in a dog wherein the inner layer of each patch was next to the myocardium. One patch, serving as the anode, was sutured in place in the area over the right ventricle. A second patch, serving as the cathode was  
35 implanted in the area of the left ventricle.

-10-

Threshold was determined by the pre-set threshold regulator. Ventricular fibrillation was induced with A.C. voltage. The heart was first defibrillated at an energy of 25 joules. The energy was lowered at 5 joule increments to determine a lower limit. The  
5 minimum energy required to defibrillate the heart was 5 joules.

#### EXAMPLE 3 - HIGH POTENTIAL TEST

Each patch made in accordance with Example 1 was tested for electrical breakthrough. For this test, a flat sheet electrode connected to ground was used. An electrode patch was placed  
10 against the flat electrode. A half-inch diameter positive electrode was set on the inner metalized layer. An A.C. current of specified voltage was applied for one minute to the inner layer and measurements for breakthrough were measured on the exterior side of the outer layer. A range of voltage 50V, 500V, 800V, and  
15 1500V were applied and no breakthrough was measured.

#### EXAMPLE 4 - FLEX-TEST OF INNER METALIZED LAYER

The metalized membrane layer of the patch was made similar to that described in Example 1. The metalized membrane was attached to a stationary block on one end, and spring loaded ball slide on  
20 the other. Under the silicone pad was a two lobe cam mounted on a D.C. drive motor. The cam is positioned so that the silicone pad can be arched and relaxed repeatedly to simulate flex-testing of the metalized membrane. Resistance at predetermined intervals was measured by placing small plated disks on each end of the patch  
25 with probes attached to the disk and to a digital meter to measure changes in resistance.

The flex-tester was programmed to run about 56,000 cycles per hour. Resistance was found to increase from 1.0 to 100 ohms during the first hour and then to stabilize at 100 ohms for 500  
30 hours.

It will be apparent to those skilled in the art that various modifications and variations can be made in the present invention. Thus, it is intended that the present invention cover modifications and variations of the invention provided that they  
35 come within the scope of the appended claims and their equivalents.

-11-

What is claimed is:

1. A patch electrode for use with defibrillators to stimulate an intended tissue comprising an outer, insulating membrane of a porous polymeric material, an inner metalized membrane, said inner membrane being of a porous polymeric material plated with a metal and having a metal surface; and means for bonding said inner membrane to said outer membrane so that a border of the outer membrane surrounds and abuts said inner membrane.
2. The patch electrode of claim 1 wherein said inner and outer membranes are compatible material from the group consisting of silicones, polyurethanes, polyethylenes, polysulfones, polyacrylics, polycarboxylates, polyesters, polypropylene, poly(hydroxyethyl)methacrylate, and perfluorinated polymers.
3. The patch electrode of claim 1 wherein said inner membrane is expanded polytetrafluoroethylene.
4. The patch electrode of claim 3 wherein said polytetrafluoroethylene has an average fibril length of greater than about 20 microns, and a density of .5 to 1.0 g/cc.
5. The patch electrode of claim 3 wherein said PTFE has an average fibril length of greater than 30 microns.
6. The patch electrode of claim 1 wherein said inner membrane has a metal plating of platinum.
7. The patch electrode of claim 1 wherein said inner membrane has a metal plating of gold.
8. The patch electrode of claim 1 wherein said outer membrane is expanded polytetrafluoroethylene.
9. The patch electrode of claim 8 wherein said polytetrafluoroethylene has an average fibril length of less than about 15 micron, and a density of 1.0 to 1.5 g/cc.
10. The patch electrode of claim 8, wherein said polytetrafluoroethylene has a fibril length of less than 10 microns.
11. The patch electrode of claim 1 having the shape of a tear drop.
12. The patch electrode of claim 1 having the shape of an hourglass.
13. The patch electrode of claim 1 having the shape of an inverted U.

-12-

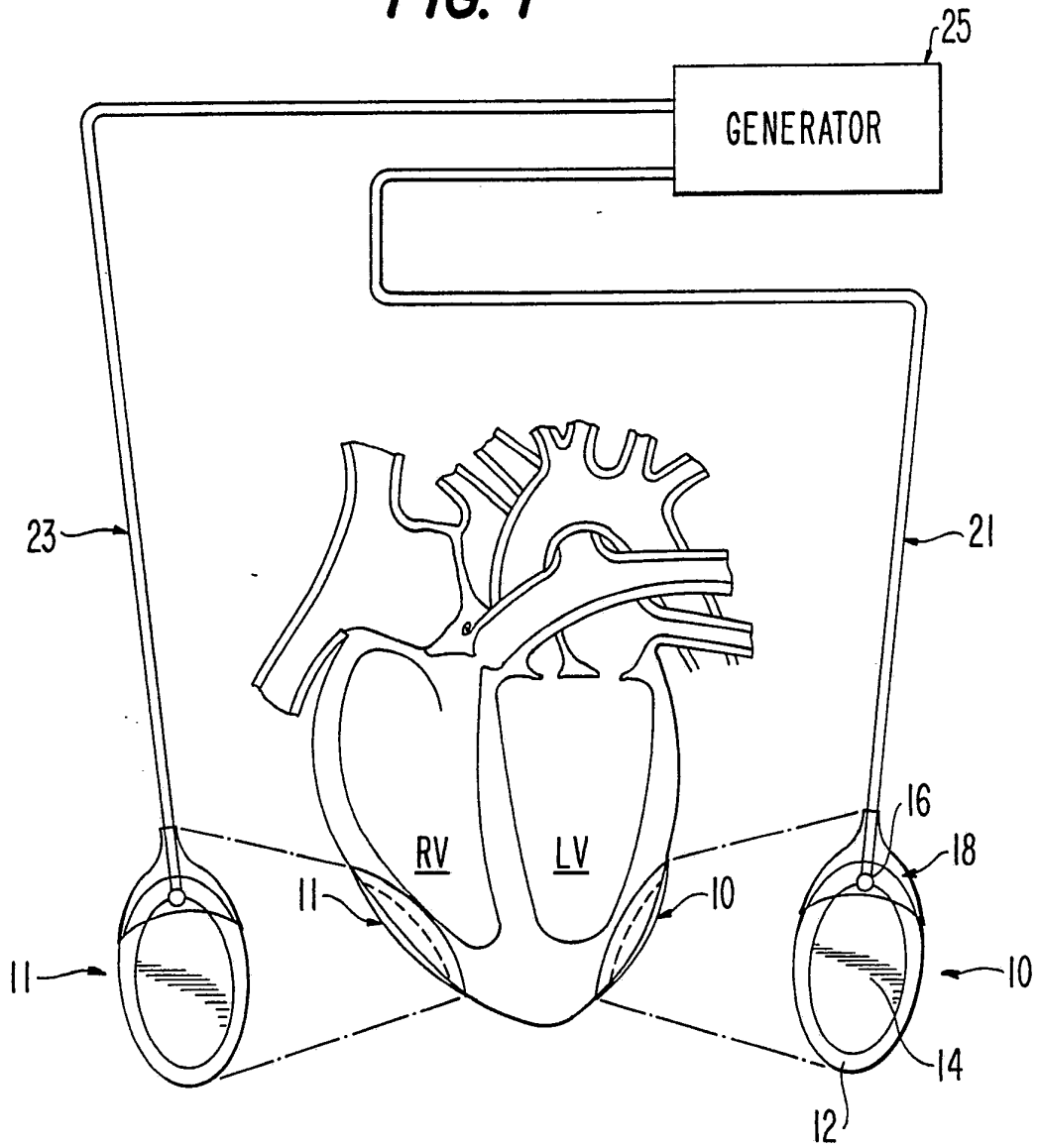
14. The patch electrode of claim 1 wherein the means for bonding is an adhesive.
15. The patch electrode of claim 1 wherein the means for bonding is silicone.
- 5 16. A defibrillator system for delivering electrical shocks to the heart of a patient to restore cardiac rhythm comprising:
- (a) two subcutaneous patch electrodes for positioning inside the thoracic cavity proximate to the ventricles of the heart, each electrode further comprising:
- 10 (i) an outer insulating membrane of a porous polymeric material,
- (ii) an inner membrane having a metal surface, said inner membrane being of a porous polymeric material plated with metal and bonded to said outer membrane,
- 15 (b) two lead wires, each comprising a center conductor wire surrounded by at least one layer of insulation, each said lead wire adhesively affixed to a patch electrode by a conductive epoxy to form a conductive connection, said conductive connection further reinforced by a silicone boot; and
- 20 (c) a pulse generator means having an anode and cathode terminals to which said lead wires are connected.
17. The defibrillator system of claim 16 wherein said inner and outer membranes of said subcutaneous patch electrode are
- 25 expanded polytetrafluoroethylene.
18. The defibrillator system of claim 16 wherein said lead wire has two layers of expanded polytetrafluoroethylene insulation.
19. A defibrillator system for delivering electrical shocks to a muscle of a patient comprising:
- 30 (a) two patch electrodes, each further comprising:
- (i) an outer insulating membrane of a porous polymeric membrane of a porous polymeric material,
- (ii) an inner membrane having a metal surface, said inner membrane being of a porous polymeric material plated with metal and bonded to said
- 35 outer membrane.

-13-

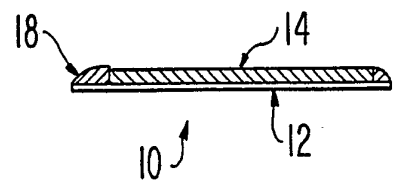
- 5 (b) two lead wires, each having a center conductor wire surrounded by at least one layer of insulation, each said lead wire adhesively affixed to a patch electrode by a conductive epoxy to form a conductive connection, said conductive connection further reinforced by a silicone boot; and
- (c) a pulse generator means having an anode and cathode terminal to which said lead wires are connected.
- 10 20. The defibrillator system of claim 19 wherein said inner and outer membranes of said patch electrode are expanded PTFE.
21. The defibrillator system of claim 19 wherein said lead wire has two layers of expanded PTFE insulation.

1/4

**FIG. 1**

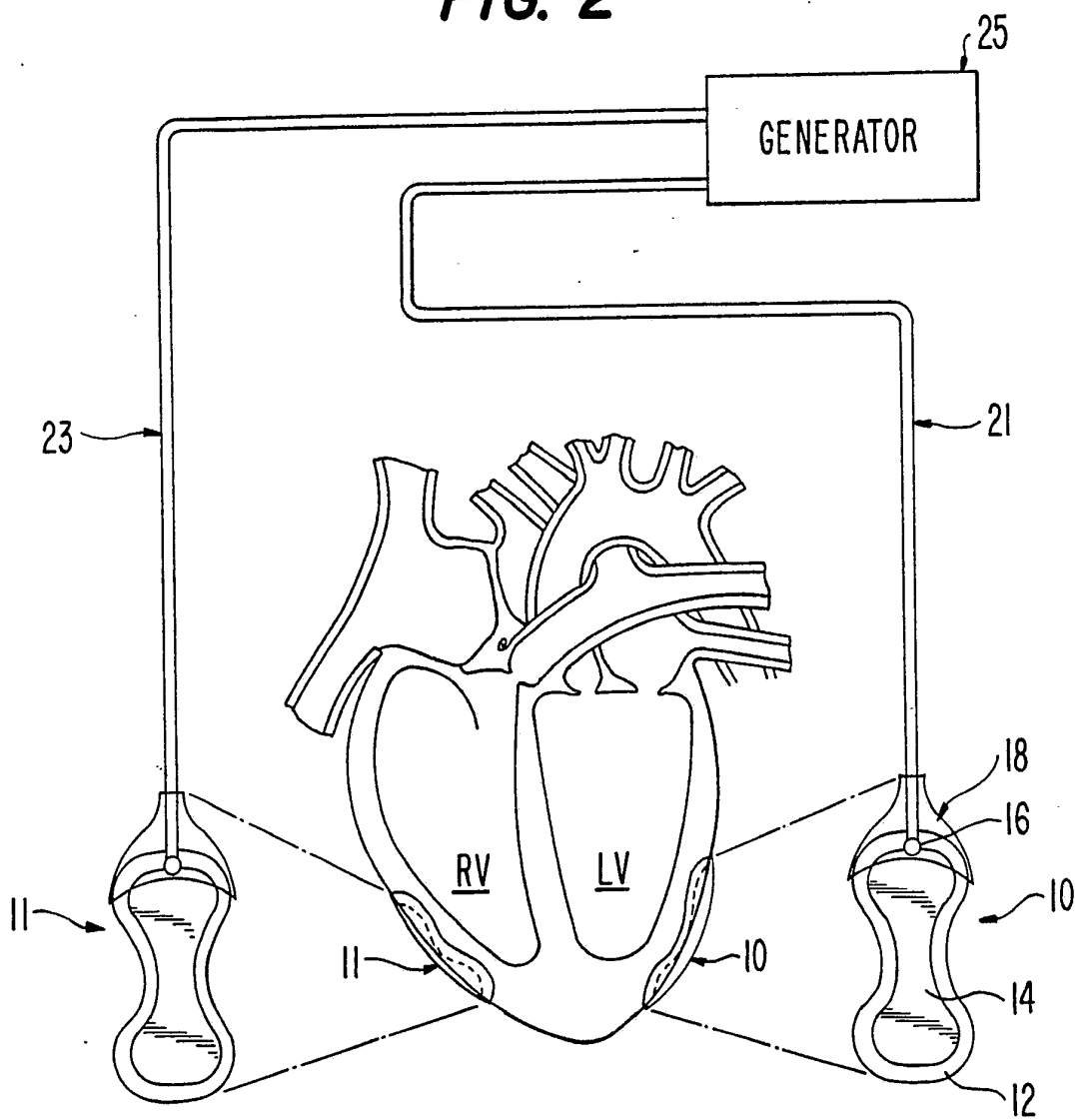


**FIG. 1A**



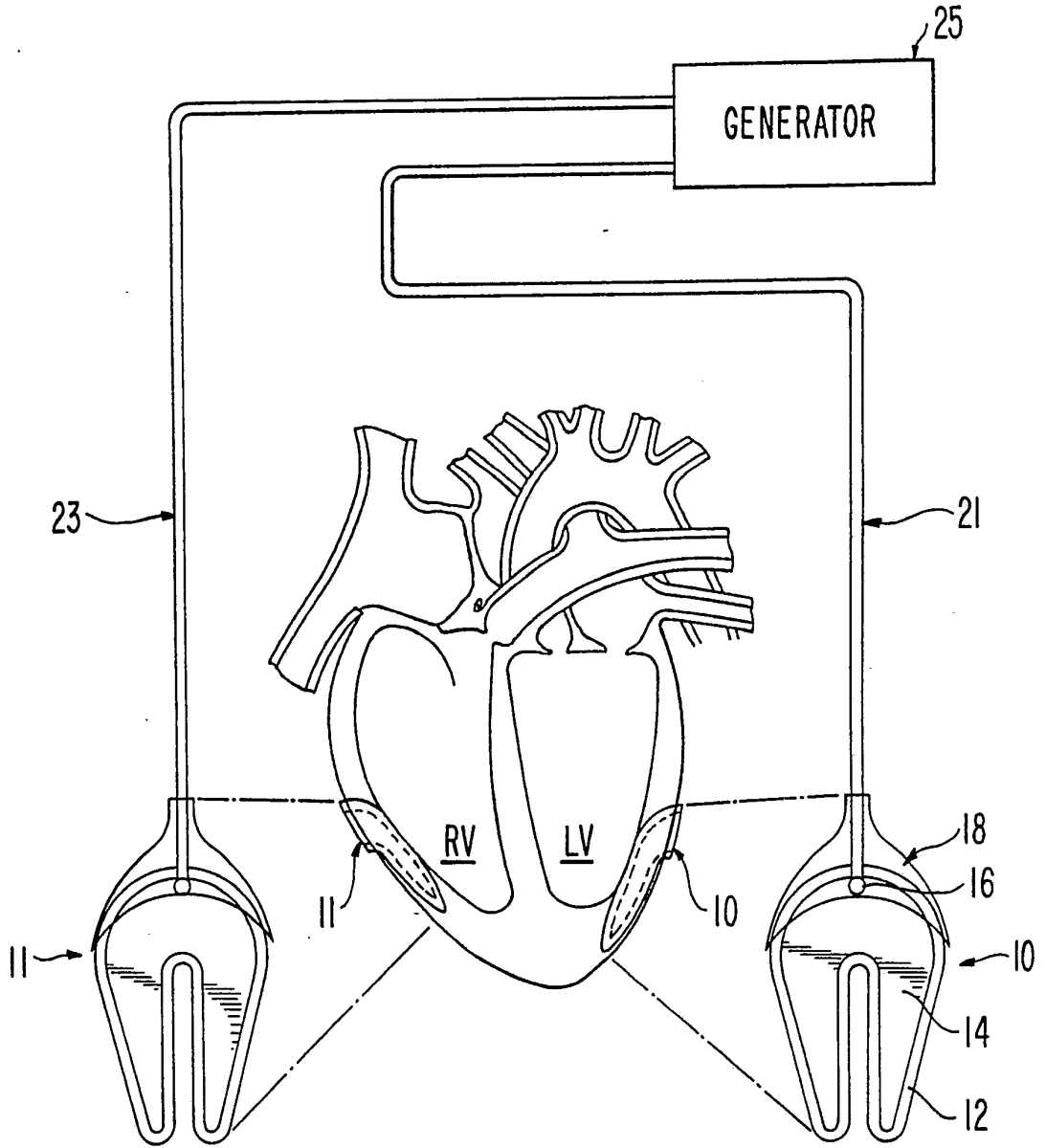
2/4

FIG. 2



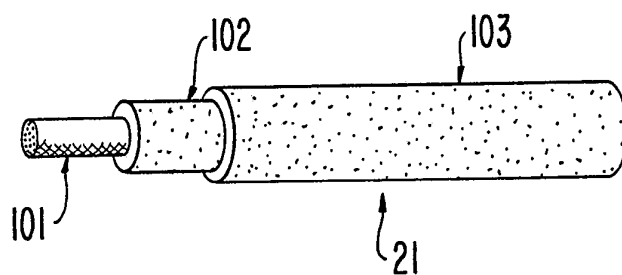
3/4

**FIG. 3**



4/4

**FIG. 4**



# INTERNATIONAL SEARCH REPORT

PCT/US 90/00496

International Application No

<b>I. CLASSIFICATION OF SUBJECT MATTER</b> (if several classification symbols apply, indicate all) <sup>6</sup>		
According to International Patent Classification (IPC) or to both National Classification and IPC		
Int.Cl. 5                      A61N1/05		
<b>II. FIELDS SEARCHED</b>		
Minimum Documentation Searched <sup>7</sup>		
Classification System	Classification Symbols	
Int.Cl. 5	A61N	
Documentation Searched other than Minimum Documentation to the Extent that such Documents are Included in the Fields Searched <sup>8</sup>		
<b>III. DOCUMENTS CONSIDERED TO BE RELEVANT<sup>9</sup></b>		
Category <sup>10</sup>	Citation of Document, <sup>11</sup> with indication, where appropriate, of the relevant passages <sup>12</sup>	Relevant to Claim No. <sup>13</sup>
X	FR,A,2588758 (TELETRONICS) 24 April 1987 see page 6, line 4 - page 7, line 3 see page 11, lines 6 - 26	1-3, 6, 8, 14 15, 17, 20 16, 19
A	see page 12, line 3 - page 13, line 4 ---	16, 19
X	EP,A,280564 (INTERMEDICS) 31 August 1988 see page 4, column 5, line 64 - column 6, line 57; figures 6a, 6b, 6c ---	1, 2, 11-16, 19
A	WO,A,8202664 (MIROWSKI) 19 August 1982 see page 8, lines 2 - 33 see page 9, lines 25 - 31 see page 13, lines 1 - 18 ---	1, 2, 6, 16, 19
A	US,A,3953566 (R.W.GORE) 27 April 1976 see the whole document (cited in the application) ---	4, 5, 9, 10
<div style="display: flex; justify-content: space-between;"> <div style="width: 45%;"> <p><sup>10</sup> Special categories of cited documents :</p> <p>"A" document defining the general state of the art which is not considered to be of particular relevance</p> <p>"E" earlier document but published on or after the international filing date</p> <p>"L" document which may throw doubts on priority claim(s) or which is cited to establish the publication date of another citation or other special reason (as specified)</p> <p>"O" document referring to an oral disclosure, use, exhibition or other means</p> <p>"P" document published prior to the international filing date but later than the priority date claimed</p> </div> <div style="width: 45%;"> <p>"T" later document published after the international filing date or priority date and not in conflict with the application but cited to understand the principle or theory underlying the invention</p> <p>"X" document of particular relevance; the claimed invention cannot be considered novel or cannot be considered to involve an inventive step</p> <p>"Y" document of particular relevance; the claimed invention cannot be considered to involve an inventive step when the document is combined with one or more other such documents, such combination being obvious to a person skilled in the art.</p> <p>"&amp;" document member of the same patent family</p> </div> </div>		
<b>IV. CERTIFICATION</b>		
Date of the Actual Completion of the International Search	Date of Mailing of this International Search Report	
29 MAY 1990	02.07.90	
International Searching Authority	Signature of Authorized Officer	
EUROPEAN PATENT OFFICE	LEMERCIER D.L.L.	

**ANNEX TO THE INTERNATIONAL SEARCH REPORT  
ON INTERNATIONAL PATENT APPLICATION NO.**

US 90/00496

SA 34672

This annex lists the patent family members relating to the patent documents cited in the above-mentioned international search report. The members are as contained in the European Patent Office EDP file on  
The European Patent Office is in no way liable for these particulars which are merely given for the purpose of information. 29/05/90

Patent document cited in search report	Publication date	Patent family member(s)	Publication date
FR-A-2588758	24-04-87	DE-A- 3633803	23-04-87
		GB-A, B 2182566	20-05-87
		JP-A- 62176462	03-08-87
EP-A-280564	31-08-88	US-A- 4827932	09-05-89
		JP-A- 63229070	22-09-88
WO-A-8202664	19-08-82	DE-T- 3152726	03-10-85
		GB-A, B 2107196	27-04-83
		NL-T- 8120191	03-01-83
US-A-3953566	27-04-76	US-A- 4096227	20-06-78
		BE-A- 767423	18-10-71
		CA-A- 962021	04-02-75
		CH-A- 555377	31-10-74
		DE-A, B 2123316	02-12-71
		FR-A- 2090775	14-01-72
		GB-A- 1355373	05-06-74
		JP-A, B, C 51030277	15-03-76
		JP-A, B 50138387	04-11-75
		NL-A- 7107000	23-11-71
		SE-B- 392582	04-04-77
		US-A- 3962153	08-06-76
		US-A- 4187390	05-02-80

EPO FORM P0479

For more details about this annex : see Official Journal of the European Patent Office, No. 12/82