



US00D720838S

(12) **United States Design Patent**
Yamagishi et al.

(10) **Patent No.:** **US D720,838 S**

(45) **Date of Patent:** **** Jan. 6, 2015**

- (54) **SHOWER PLATE**
- (71) Applicant: **ASM IP Holding B.V.**, Almere (NL)
- (72) Inventors: **Takayuki Yamagishi**, Kashiwazaki (JP);
Kazuo Sato, Kawasaki (JP); **Naoto Tsuji**, Tokyo (JP)
- (73) Assignee: **ASM IP Holding B.V.**, Almere (NL)
- (**) Term: **14 Years**
- (21) Appl. No.: **29/481,301**

- (22) Filed: **Feb. 4, 2014**
- (51) **LOC (10) Cl.** **23-01**
- (52) **U.S. Cl.**
USPC **D23/261**
- (58) **Field of Classification Search**
USPC D23/259, 260, 261, 262, 263, 264, 265,
D23/266, 267, 268, 269, 275, 283, 304;
4/596, 597, 598, 609, 612, 663;
239/548, 555, 600; 210/459, 460
See application file for complete search history.

- (56) **References Cited**
U.S. PATENT DOCUMENTS
- | | | | | | | |
|-----------|---|---|---------|-----------------|-------|---------|
| 5,060,322 | A | * | 10/1991 | Delepine | | 4/601 |
| D327,534 | S | * | 6/1992 | Manville et al. | | D23/261 |
| D380,527 | S | * | 7/1997 | Velez | | D23/261 |
| D419,652 | S | * | 1/2000 | Hall et al. | | D23/259 |
| D457,609 | S | * | 5/2002 | Piano | | D23/304 |
| D461,233 | S | * | 8/2002 | Whalen | | D23/261 |
| D461,882 | S | * | 8/2002 | Piano | | D23/304 |

D486,891	S	*	2/2004	Cronce, Jr.	D23/260
6,688,784	B1	*	2/2004	Templeton	396/611
7,143,897	B1	*	12/2006	Guzman et al.	210/460
D585,968	S	*	2/2009	Elkins et al.	D23/259
D602,575	S	*	10/2009	Breda	D23/261
D613,829	S	*	4/2010	Griffin et al.	D23/260
D652,896	S	*	1/2012	Grether	D23/249
D653,734	S	*	2/2012	Sisk	D23/269
8,196,234	B2	*	6/2012	Glunk	4/614
D665,055	S	*	8/2012	Yanagisawa et al.	D23/261
8,307,472	B1	*	11/2012	Saxon et al.	4/597
2005/0258280	A1	*	11/2005	Goto et al.	239/548
2013/0292047	A1	*	11/2013	Tian et al.	156/242
2014/0283747	A1	*	9/2014	Kasai et al.	118/723 R

* cited by examiner

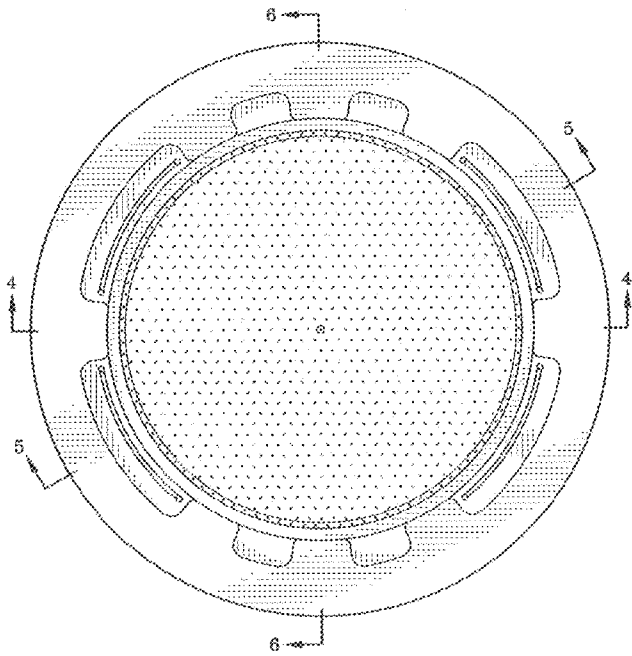
Primary Examiner — Eric Goodman
Assistant Examiner — Steven Czyz
(74) *Attorney, Agent, or Firm* — Snell & Wilmer L.L.P.

(57) **CLAIM**
The ornamental design for a shower plate, as shown and described.

DESCRIPTION

FIG. 1 is a top view of a shower plate of the present invention; FIG. 2 is a bottom view thereof; FIG. 3 is a side view thereof; FIG. 4 is a cross-sectional side view thereof, taken along the line 4-4 in FIG. 1; FIG. 5 is a cross-sectional side view thereof, taken along the line 5-5 in FIG. 1; and, FIG. 6 is a cross-sectional side view thereof, taken along the line 6-6 in FIG. 1.

1 Claim, 3 Drawing Sheets



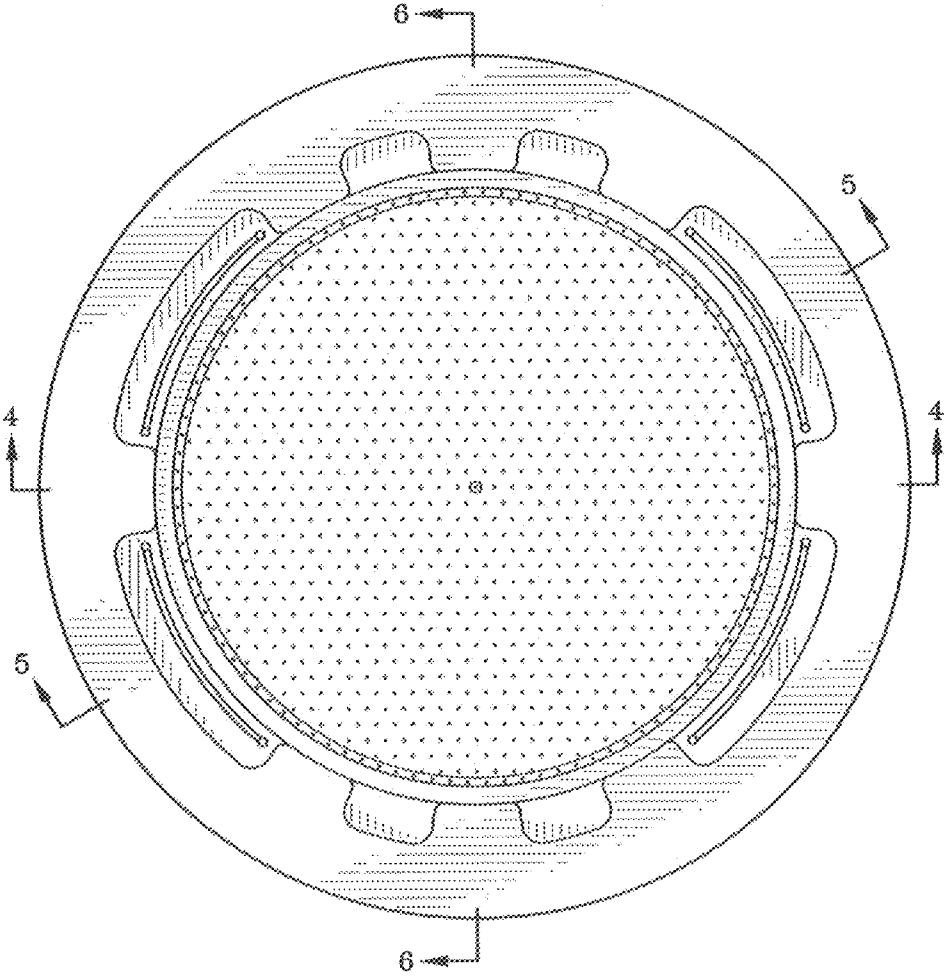


FIG-1

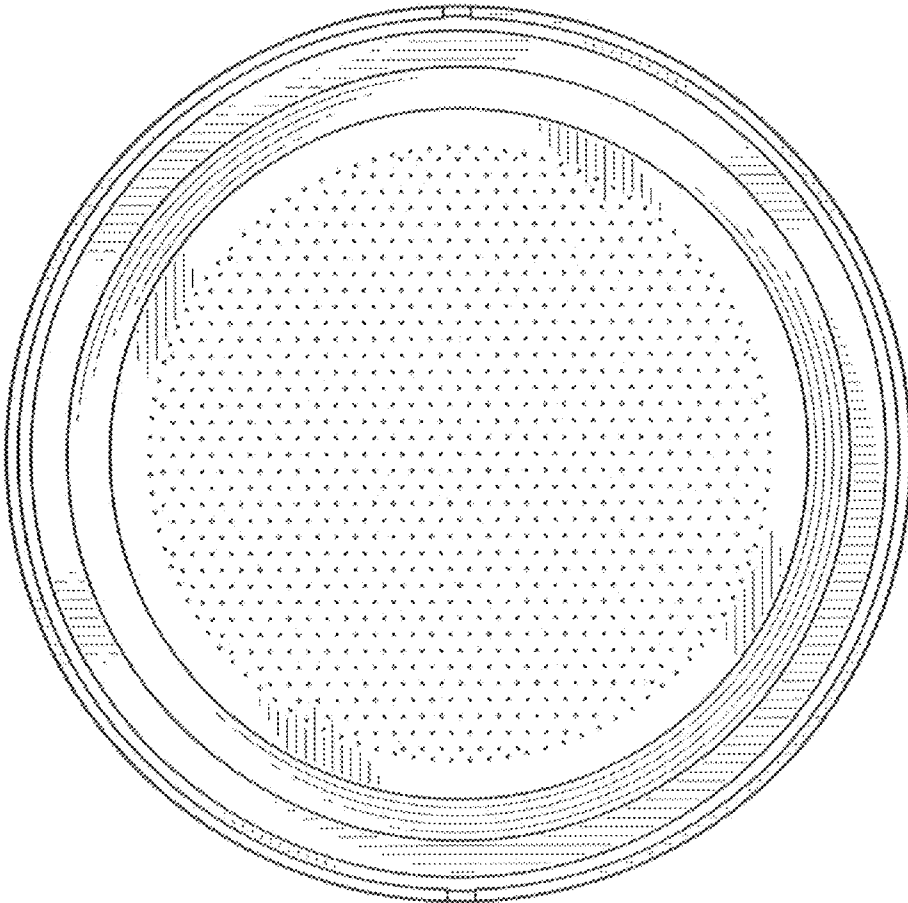


FIG-2

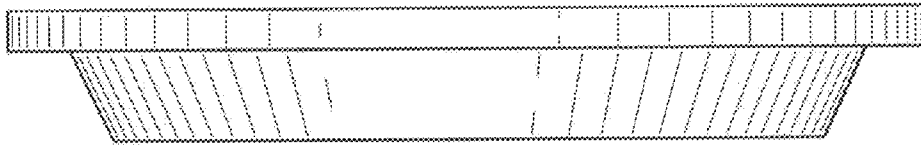


FIG-3

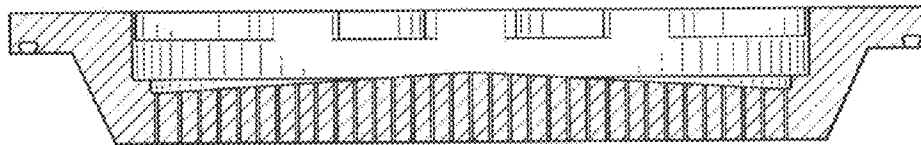


FIG-4

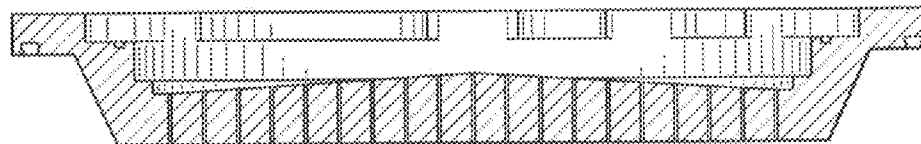


FIG-5

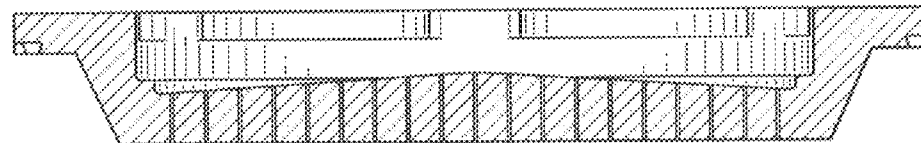


FIG-6